

PRODUCT CATALOGUE

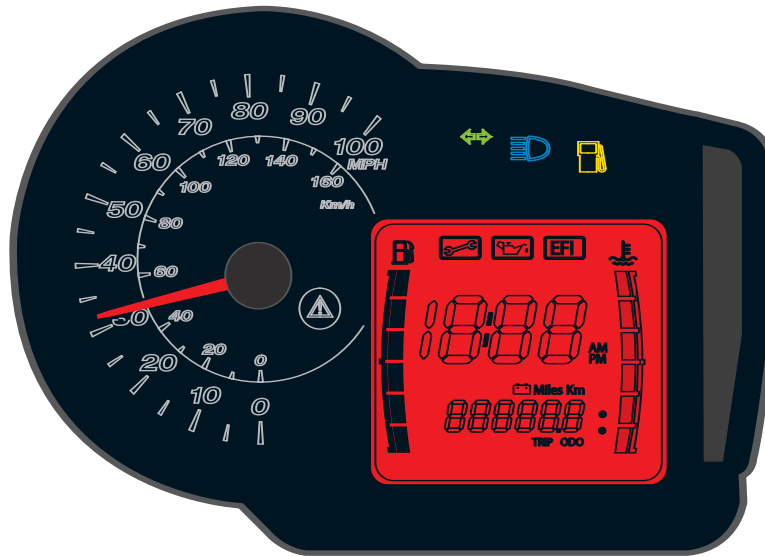
After Market



Index

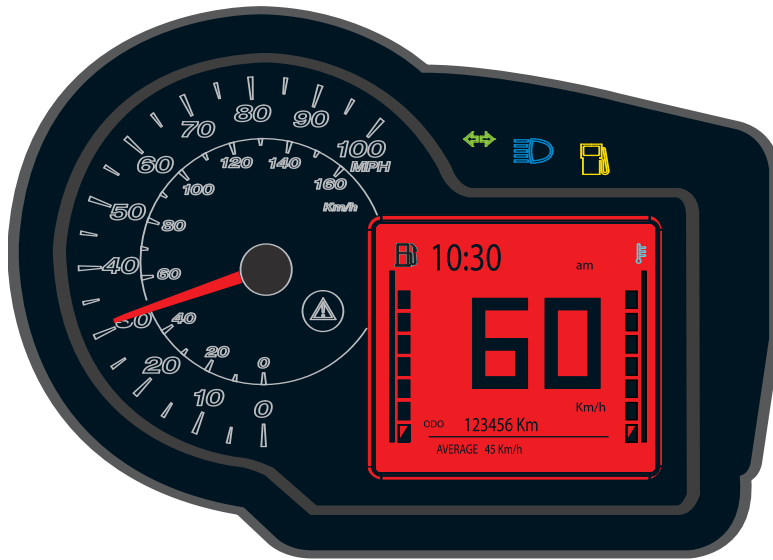
DASHBOARDS	2	CABLES	170
ELECTRONICS	5	CHARGING CLIPS	171
FUSES	6	CABLE FIXING	175
POWER DISTRIBUTION BOXES	22	SWITCHES	177
MODULAR FUSE/RELAY HOLDERS	29	SUNDRIES	179
MODULAR FUSE/RELAY HOLDER UNITS	37		
POWER DISTRIBUTION UNITS	39		
FUSE/RELAY BOXES	41		
1 WAY FUSE/RELAY HOLDERS	46		
ADAPTERS & FIXING PLATES	61		
CONNECTORS	65		
BATTERY TERMINALS	94		
TERMINALS	101		
INSULATED TERMINALS	142		
CRIMPING TOOLS	152		
SPARK PLUGS & CAPS	156		
RADIATOR / OIL / GASOLINE CAPS	160		
SENSORS	166		

EASY



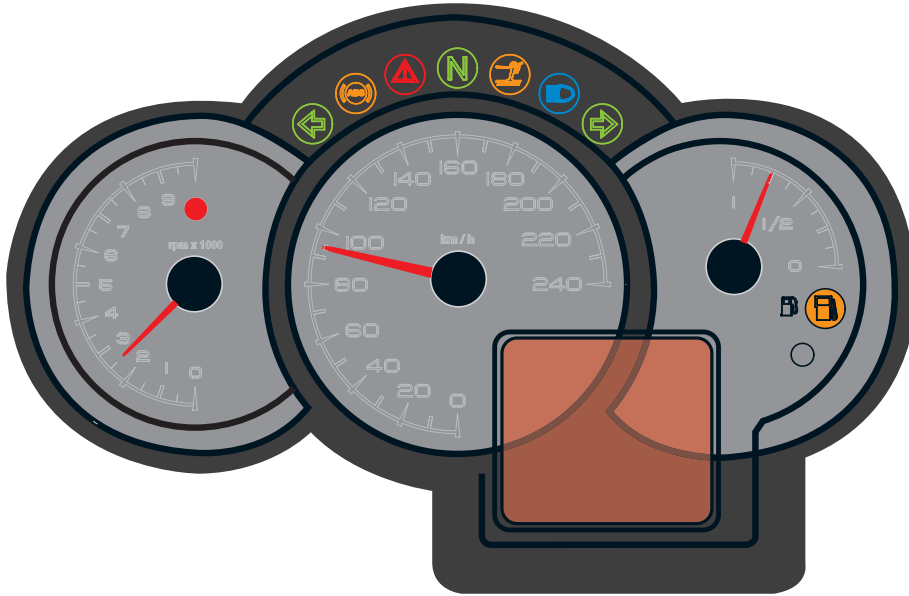
DESCRIPTION	P/N	M.O.Q.
INSTRUMENT CLUSTER WITH 1 SEGMENT LCD, 1 GAUGE, 8 TELLTALES	6100033	1

MATRIX1



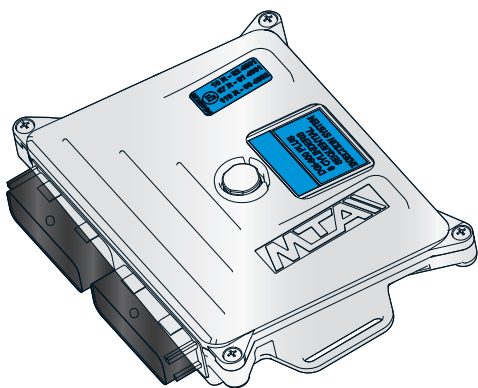
DESCRIPTION	P/N	M.O.Q.
INSTRUMENT CLUSTER WITH 1 DOT MATRIX LCD, 1 GAUGE, 8 TELLTALES	6100034	1

SATURN

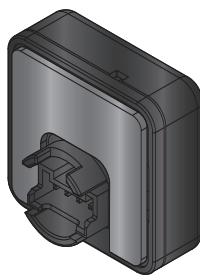


DESCRIPTION	P/N	M.O.Q.
INSTRUMENT CLUSTER WITH 1 DOT MATRIX LCD, 3 GAUGES, 11 TELLTALES	6100035	1

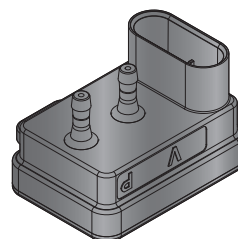
DGI



1



2

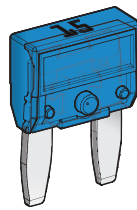


3

IMG	DESCRIPTION	P/N	M.O.Q.
1	DGI 800 PLUS 4 Cylinders CNG 1 CAN Line: 1 K-line (OBD); 1 serial line for calibration and diagnosis. IP 67 Proof. 10 g Vibration certified	6200035	50
	DGI 800 PLUS 4 Cylinders LPG 1 CAN Line: 1 K-line (OBD); 1 serial line for calibration and diagnosis. IP 67 Proof. 10 g Vibration certified	6200036	50
	DGI 800 PLUS 6-8 Cylinders CNG 1 CAN Line: 1 K-line (OBD); 1 serial line for calibration and diagnosis. IP 67 Proof. 10 g Vibration certified	6200037	50
	DGI 800 PLUS 6-8 Cylinders LPG 1 CAN Line: 1 K-line (OBD); 1 serial line for calibration and diagnosis. IP 67 Proof. 10 g Vibration certified	6200038	50
2	DCM 803 PROGRAMMABLE SWITCH WITH FUEL LEVEL INDICATOR AND BUZZER	6200039	50
3	DDAP800 INJECTION PRESSURE SENSOR	6200040	50

FUSES

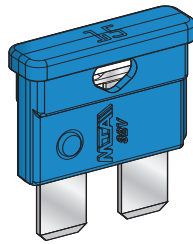
MINIVAL®



AMP	DESCRIPTION	COLOUR		P/N BLISTER	M.O.Q.	P/N BULK	M.O.Q.	P/N BULK	M.O.Q.
2A	MINIVAL	■ Grey		0600090	500	0700090	200	0705090	5000
3A	MINIVAL	■ Violet		0600100	500	0700100	200	0705100	5000
4A	MINIVAL	■ Pink		0600101	500	0700101	200	0705101	5000
5A	MINIVAL	■ Beige		0600110	500	0700110	200	0705110	5000
7,5A	MINIVAL	■ Brown		0600120	500	0700120	200	0705120	5000
10A	MINIVAL	■ Red		0600130	500	0700130	200	0705130	5000
15A	MINIVAL	■ Blue		0600140	500	0700140	200	0705140	5000
20A	MINIVAL	■ Yellow		0600150	500	0700150	200	0705150	5000
25A	MINIVAL	□ Natural		0600160	500	0700160	200	0705160	5000
30A	MINIVAL	■ Green		0600170	500	0700170	200	0705170	5000

FUSES

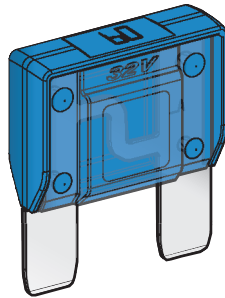
UNIVAL®



AMP	DESCRIPTION	COLOUR		P/N BLISTER	M.O.Q.	P/N BOX	M.O.Q.	P/N BULK	M.O.Q.	P/N BULK	M.O.Q.
1A	UNIVAL	■ Black				0600380	100	0700380	2000		
2A	UNIVAL	■ Grey				0600390	100	0700390	2000		
3A	UNIVAL	■ Violet				0600400	1000	0700300	2000	0710300	10000
4A	UNIVAL	■ Pink				0600401	1000	0700301	2000		
5A	UNIVAL	■ Beige		0600492	200	0600410	1000	0700310	2000	0710310	10000
7,5A	UNIVAL	■ Brown		0600493	200	0600420	1000	0700320	2000	0710320	10000
10A	UNIVAL	■ Red		0600494	200	0600430	1000	0700330	2000	0710330	10000
15A	UNIVAL	■ Blue		0600495	200	0600440	1000	0700340	2000	0710340	10000
20A	UNIVAL	■ Yellow		0600496	200	0600450	1000	0700350	2000	0710350	10000
25A	UNIVAL	□ Natural		0600497	200	0600460	1000	0700360	2000	0710360	10000
30A	UNIVAL	■ Green		0600498	200	0600470	1000	0700370	2000	0710370	10000
40A	UNIVAL	■ Orange				0600375	1000	0700375	2000	0710375	10000

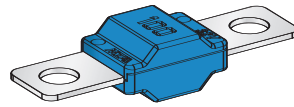
FUSES

MAXIVAL®



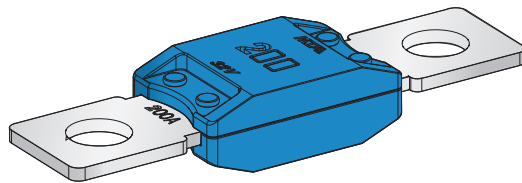
AMP	DESCRIPTION	COLOUR		P/N BOX	M.O.Q.	P/N BULK	M.O.Q.
20A	MAXIVAL	Yellow		0600900	100	0700900	1000
30A	MAXIVAL	Green		0600910	100	0700910	1000
40A	MAXIVAL	Orange		0600920	100	0700920	1000
50A	MAXIVAL	Red		0600930	100	0700930	1000
60A	MAXIVAL	Blue		0600940	100	0700940	1000
70A	MAXIVAL	Beige		0600950	100	0700950	1000
80A	MAXIVAL	Natural		0600960	100	0700960	1000
100A	MAXIVAL	Violet		0600970	100	0700970	1000

MIDIVAL®



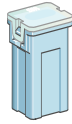
AMP	DESCRIPTION	COLOUR		P/N BLISTER	M.O.Q.	P/N BULK	M.O.Q.
30A	MIDIVAL	Orange		0602030	20	0702030	1000
40A	MIDIVAL	Green		0602040	20	0702040	1000
50A	MIDIVAL	Red		0602050	20	0702050	1000
60A	MIDIVAL	Yellow		0602060	20	0702060	1000
70A	MIDIVAL	Brown		0602070	20	0702070	1000
80A	MIDIVAL	White		0602080	20	0702080	1000
100A	MIDIVAL	Blue		0602100	20	0702100	1000
125A	MIDIVAL	Pink		0602125	20	0702125	1000

MEGAVAL® & POWERVAL®

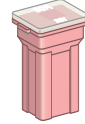


AMP	DESCRIPTION	COLOUR		P/N BLISTER	M.O.Q.	P/N BULK	M.O.Q.
100A	MEGAVAL	Yellow		0601100	20	0701100	1000
125A	MEGAVAL	Green		0601125	20	0701125	1000
150A	MEGAVAL	Orange		0601150	20	0701150	1000
175A	MEGAVAL	White		0601175	20	0701175	1000
200A	MEGAVAL	Blue		0601200	20	0701200	1000
225A	MEGAVAL	Beige		0601225	20	0701225	1000
250A	MEGAVAL	Pink		0601250	20	0701250	1000
500A	MEGAVAL	Brown		0601600	20	0701600	1000
CAL.1	POWERVAL	Grey		0601350	20	0701350	1000
CAL.2	POWERVAL	Black		0601400	20	0701400	1000
CAL.3	POWERVAL	Red		0601450	20	0701450	1000
CAL.4	POWERVAL	Brown		0601500	20	0701500	1000
CAL.5	POWERVAL	Wheat Grey		0601700	1	0701700	1000

JAPVAL®



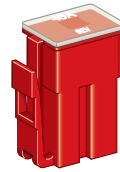
1



2



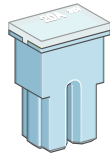
3



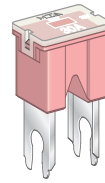
4

IMG	AMP	DESCRIPTION	COLOUR		P/N BLISTER	M.O.Q.
1	20A	MINI FEMALE 14	■ Azure		0474020	20
	30A	MINI FEMALE 14	■ Pink		0474030	20
	40A	MINI FEMALE 14	■ Green		0474040	20
	50A	MINI FEMALE 14	■ Red		0474050	20
	60A	MINI FEMALE 14	■ Yellow		0474060	20
	70A	MINI FEMALE 14	■ Brown		0474070	20
	80A	MINI FEMALE 14	■ Black		0474080	20
	2	30A	MINI FEMALE 18	■ Pink		0473030
40A		MINI FEMALE 18	■ Green		0473040	20
3	25A	MINI CLIP	■ Brown		0476025	20
	30A	MINI CLIP	■ Green		0476030	20
4	45A	CLIP	■ Red		0477045	20
	65A	CLIP	■ Black		0477065	20
	75A	CLIP	■ Grey		0477075	20

JAPVAL®



1

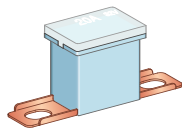


2

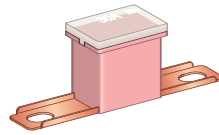
IMG	AMP	DESCRIPTION	COLOUR		P/N BLISTER	M.O.Q.	
1	20A	FEMALE	■ Azure		0470020	20	
	30A	FEMALE	■ Pink		0470030	20	
	40A	FEMALE	■ Green		0470040	20	
	50A	FEMALE	■ Red		0470050	20	
	60A	FEMALE	■ Yellow		0470060	20	
	80A	FEMALE	■ Black		0470080	20	
	100A	FEMALE	■ Blue		0470100	20	
	2	30A	MALE	■ Pink		0471030	20
		40A	MALE	■ Green		0471040	20
		50A	MALE	■ Red		0471050	20
60A		MALE	■ Yellow		0471060	20	
80A		MALE	■ Black		0471080	20	
100A		MALE	■ Blue		0471100	20	

FUSES

JAPVAL®



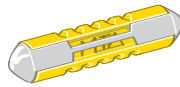
1





























2

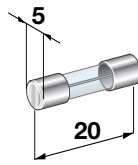
IMG	AMP	DESCRIPTION	COLOUR		P/N BLISTER	M.O.Q.	
1	20A	MALE 48	■ Azure		0475020	20	
	30A	MALE 48	■ Pink		0475030	20	
	40A	MALE 48	■ Green		0475040	20	
	50A	MALE 48	■ Red		0475050	20	
	60A	MALE 48	■ Yellow		0475060	20	
	70A	MALE 48	■ Brown		0475070	20	
	80A	MALE 48	■ Black		0475080	20	
	100A	MALE 48	■ Blue		0475100	20	
	2	30A	MALE 62	■ Pink		0472030	20
		40A	MALE 62	■ Green		0472040	20
50A		MALE 62	■ Red		0472050	20	
60A		MALE 62	■ Yellow		0472060	20	
80A		MALE 62	■ Black		0472080	20	
100A		MALE 62	■ Blue		0472100	20	

CONTINENTAL



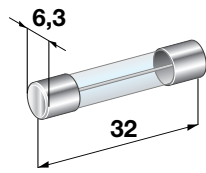
AMP	DESCRIPTION	COLOUR		P/N BOX	M.O.Q.	P/N BULK	M.O.Q.
5A	 FIAT 9.91806	 Yellow		0200140	100	0300140	5000
8A	 FIAT 9.91806	 Black		0200150	100	0300150	5000
16A	 FIAT 9.91806	 Green		0200170	100	0300170	5000
25A	 FIAT 9.91806	 Brown		0200180	100	0300180	5000
5A	 DIN 72581	 Yellow		0200140	100	0300140	5000
8A	 DIN 72581	 White		0200151	100	0300151	5000
16A	 DIN 72581	 Red		0200171	100	0300171	5000
25A	 DIN 72581	 Blue		0200181	100	0300181	5000
5A	 BNA 709	 Violet		0200142	100	0300142	5000
8A	 BNA 709	 Blue		0200149	100	0300149	5000
10A	 BNA 709	 Green		0200152	100	0300152	5000
16A	 BNA 709	 Yellow		0200172	100	0300172	5000
25A	 BNA 709	 Red		0200182	100	0300182	5000

GLASS

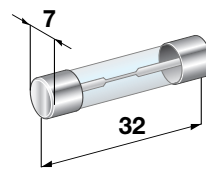


AMP	DESCRIPTION		P/N BOX	M.O.Q.	P/N BULK	M.O.Q.
250MA	GLASS FUSE 5X20		0430200	50		
500MA	GLASS FUSE 5X20		0430300	50		
1A	GLASS FUSE 5X20		0430400	50	0530400	1000
2A	GLASS FUSE 5X20		0430500	50	0530500	1000
3A	GLASS FUSE 5X20		0430600	50	0530600	1000
4A	GLASS FUSE 5X20		0430700	50		
5A	GLASS FUSE 5X20		0430800	50	0530800	1000
6A	GLASS FUSE 5X20		0430900	50		
8A	GLASS FUSE 5X20		0431000	50		
10A	GLASS FUSE 5X20		0431100	50	0531100	1000
15A	GLASS FUSE 5X20		0431300	50		
20A	GLASS FUSE 5X20		0431400	50		

GLASS



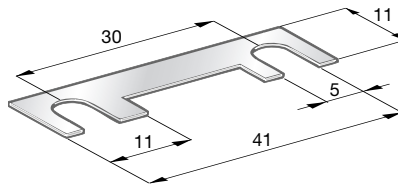
1



2

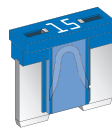
IMG	AMP	DESCRIPTION	P/N BOX	M.O.Q.	P/N BULK	M.O.Q.
1	2A	GLASS FUSE 6,3x32	0433200	50	0533200	1000
	3A	GLASS FUSE 6,3x32	0433300	50		
	5A	GLASS FUSE 6,3x32	0433400	50	0533400	1000
	7,5A	GLASS FUSE 6,3x32	0433450	50		
	10A	GLASS FUSE 6,3x32	0433500	50	0533500	1000
	15A	GLASS FUSE 6,3x32	0433600	50	0533600	1000
	20A	GLASS FUSE 6,3x32	0433700	50	0533700	1000
	25A	GLASS FUSE 6,3x32	0433800	50	0533800	1000
	30A	GLASS FUSE 6,3x32	0433850	50	0533850	1000
	35A	GLASS FUSE 6,3x32	0433900	50	0533900	1000
2	10A	GLASS FUSE 7X32	0435300	50	0535300	1000
	15A	GLASS FUSE 7X32	0435400	50	0535400	1000
	25A	GLASS FUSE 7X32	0435500	50		
	30A	GLASS FUSE 7X32	0435600	50	0535600	1000

STRIP



AMP	DESCRIPTION		P/N BOX	M.O.Q.
30A	STRIP FUSE		0200296	100
40A	STRIP FUSE		0200300	100
50A	STRIP FUSE		0200297	100
60A	STRIP FUSE		0200301	100
80A	STRIP FUSE		0200298	100
100A	STRIP FUSE		0200299	100

MINI LOW PROFILE

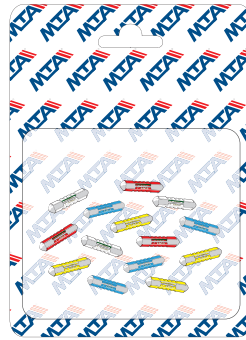


AMP	DESCRIPTION	COLOUR		P/N BLISTER	M.O.Q.	P/N BULK	M.O.Q.
2A	MINI LOW PROFILE	■ Grey		0600210	200	0700210	200
3A	MINI LOW PROFILE	■ Violet		0600220	200	0700220	200
4A	MINI LOW PROFILE	■ Pink		0600230	200	0700230	200
5A	MINI LOW PROFILE	■ Beige		0600240	200	0700240	200
7,5A	MINI LOW PROFILE	■ Brown		0600250	200	0700250	200
10A	MINI LOW PROFILE	■ Red		0600260	200	0700260	200
15A	MINI LOW PROFILE	■ Blue		0600270	200	0700270	200
20A	MINI LOW PROFILE	■ Yellow		0600280	200	0700280	200
25A	MINI LOW PROFILE	□ Natural		0600290	200	0700290	200
30A	MINI LOW PROFILE	■ Green		0600302	200	0700302	200

ASSORTMENT



1



2



3

IMG	DESCRIPTION	P/N BLISTER	M.O.Q.
1	CONTINENTAL FUSE DIN 72581 5A (1 PCS), 8A (4 PCS), 16A (3 PCS), 25A (1 PCS), GLASS FUSE 5x20 2A (1 PCS)	0200127	20
2	CONTINENTAL FUSE DIN 72581 5A (2 PCS), 8A (8 PCS), 16A (6 PCS), 25A (4 PCS)	0200138	20
3	GLASS FUSE 5x20 2A (1 PCS), 6,3x32 10A (2 PCS), 6,3x32 15A (2 PCS), 6,3x32 25A (1 PCS)	0435800	20

ASSORTMENT



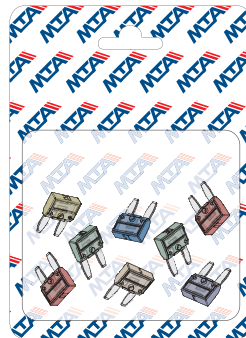
1



2



3



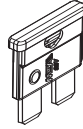
4

IMG	DESCRIPTION	P/N BLISTER	M.O.Q.
1	UNIVAL FUSES 3A (1 PCS), 5A (1 PCS), 7,5A (1 PCS), 10A (2 PCS), 15A (1 PCS), 20A (1 PCS), 25A (1 PCS), 30A (1 PCS)	0600418	20
2	UNIVAL FUSES 3A (1 PCS), 5A (1 PCS), 7,5A (1 PCS), 10A (1 PCS), 15A (1 PCS), 20A (1 PCS), 25A (1 PCS), 30A (1 PCS)	0600407	20
3	UNIVAL FUSES 3A (1 PCS), 5A (1 PCS), 7,5A (1 PCS), 10A (2 PCS), 15A (1 PCS), 20A (2 PCS), 25A (1 PCS), 30A (1 PCS)	0600408	20
4	MINIVAL FUSES 3A (1 PCS), 5A (1 PCS), 7,5A (1 PCS), 10A (1 PCS), 15A (1 PCS), 20A (1 PCS), 30A (1 PCS)	3004000	20

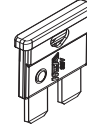
ASSORTMENT



80 MINIVAL



80 UNIVAL



160 UNIVAL



1



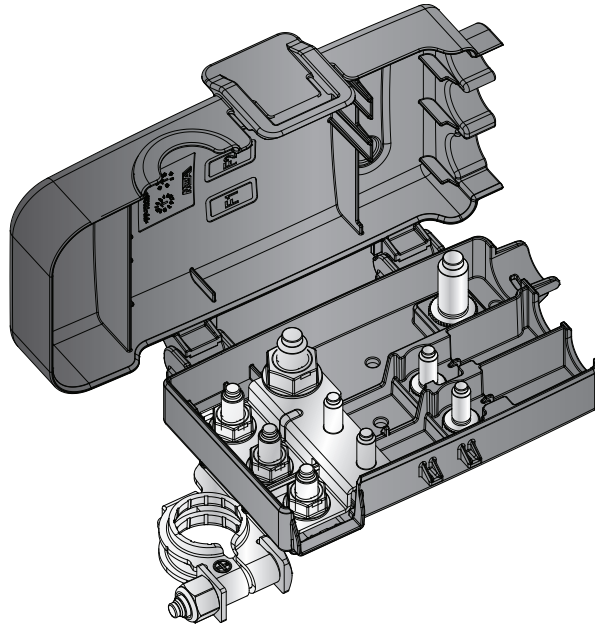
2



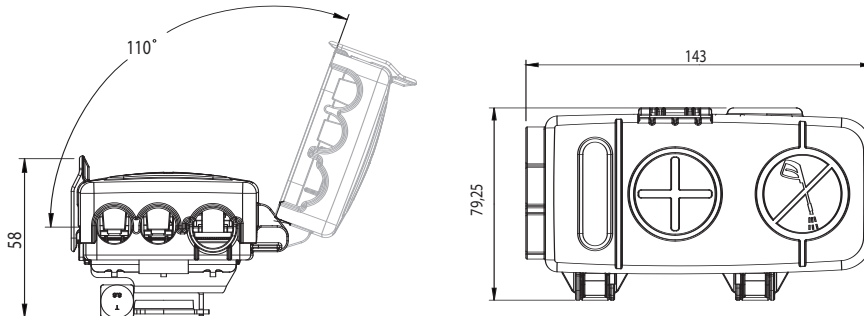
3

IMG	DESCRIPTION	P/N BLISTER	M.O.Q.
1	ASSORTMENT BOX 80 MINIVAL FUSES 2A (10 PCS), 3A (3 PCS), 4A (10 PCS), 5A (3 PCS), 7,5A (10 PCS), 10A (10 PCS), 15A (10 PCS), 20A (10 PCS), 25A (4 PCS), 30A (10 PCS)	0600010	1
2	ASSORTMENT BOX 80 UNIVAL FUSES 4A (10 PCS), 5A (10 PCS), 7,5A (10 PCS), 10A (10 PCS), 15A (10 PCS), 20A (10 PCS), 25A (10 PCS), 30A (10 PCS)	0650015	1
3	ASSORTMENT BOX 160 UNIVAL FUSES 4A (20 PCS), 5A (20 PCS), 7,5A (20 PCS), 10A (20 PCS), 15A (20 PCS), 20A (20 PCS), 25A (20 PCS), 30A (20 PCS)	0650016	1

CDB



DESCRIPTION	P/N	M.O.Q.
PRE MOUNTED HOUSING FOR 2 MIDIVAL AND 1 CAL/MEGAVAL WITH BATTERY TERMINAL	0300839	50



CONNECTIONS AND FIXINGS

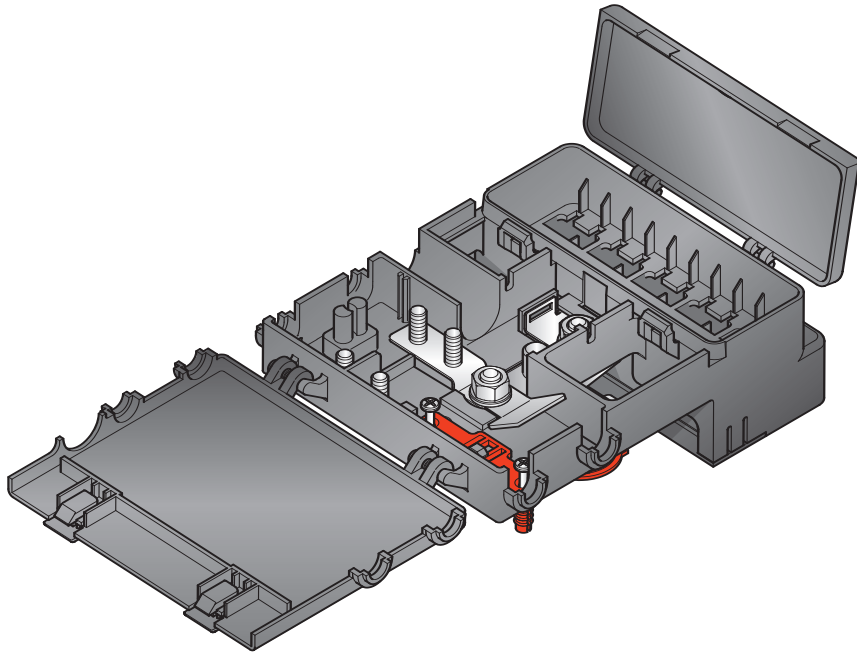









MIDI
POL A,B



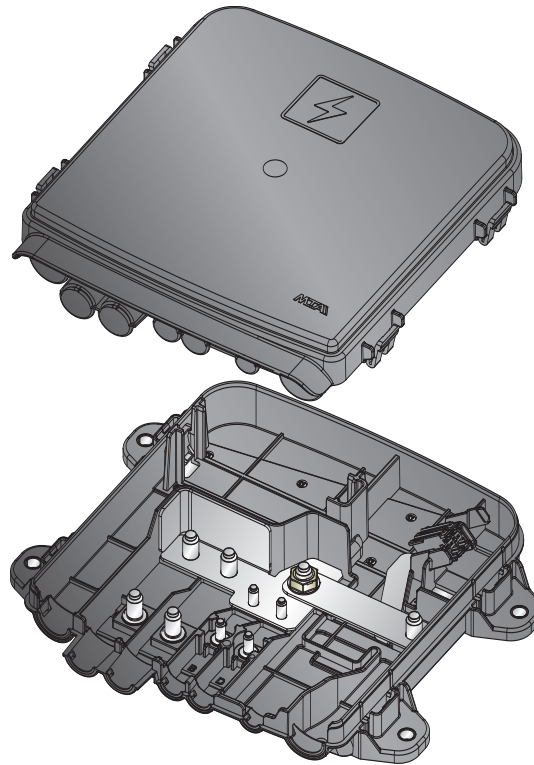
MEGA

LINK BATT

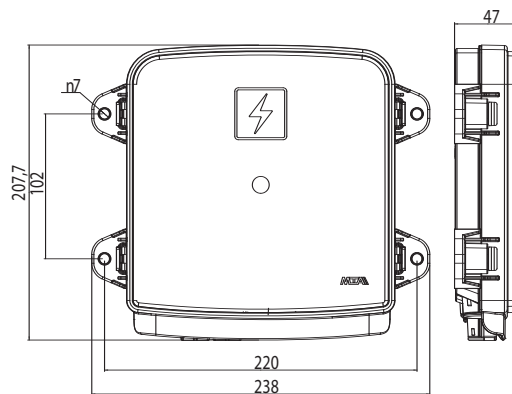


DESCRIPTION	P/N	M.O.Q.				
PRE MOUNTED HOUSING FOR 8 MAXIVAL AND 2 MIDIVAL	0100710	1				
CONNECTIONS AND FIXINGS						
 4540315	 4540345	 4540325	 4540335	 4545100	 MIDI	 SQR-A

PDU



IMG	DESCRIPTION	P/N	M.O.Q.
1	PRE MOUNTED HOUSING FOR 2 MEGA/POWERVAL + 2 MIDIVAL WITH COVER AND BUS BAR	0301865	1



CONNECTIONS AND FIXINGS



MIDI UNI
POL A,B



TUBOLAR M8



MODULES



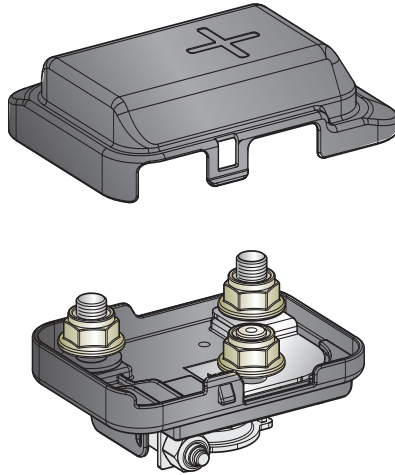
SML



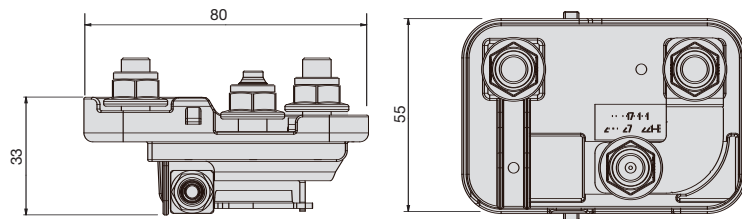
F280

BDS

CBA J81 L4



DESCRIPTION	P/N	M.O.Q.
PRE MOUNTED HOUSING FOR 1 MEGA/POWERVAL WITH COVER AND BATTERY TERMINAL	0101703	1

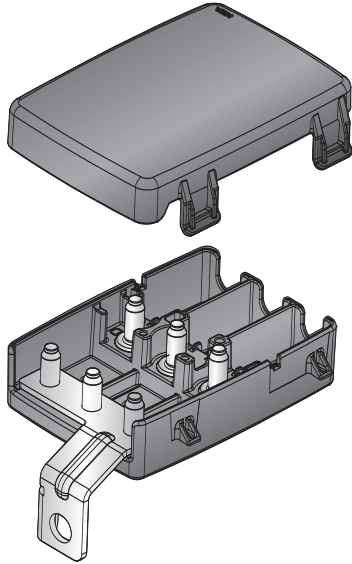


CONNECTIONS AND FIXINGS

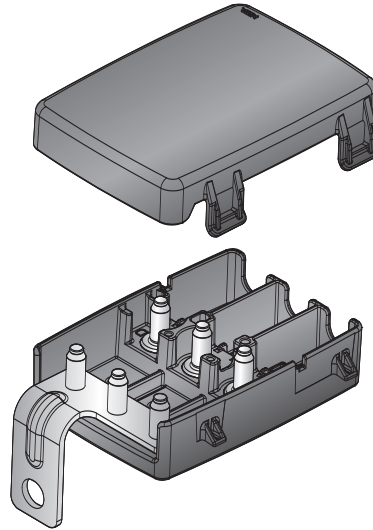


CBA J81 FL90

MIDIVAL® 3 WAY

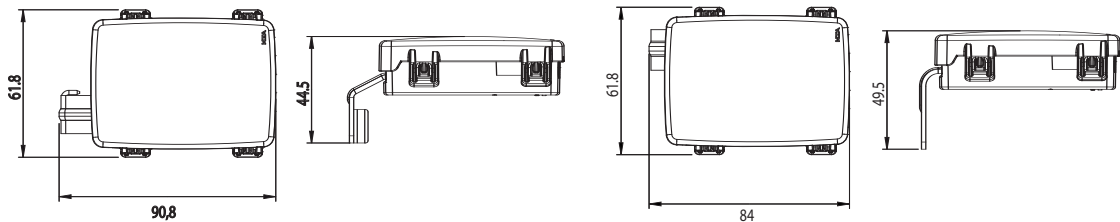


1



2

IMG	DESCRIPTION	P/N	M.O.Q.
1	PRE MOUNTED HOUSING DX FOR 3 MIDIVAL WITH COVER AND BUS BAR	0300442	1
2	PRE MOUNTED HOUSING SX FOR 3 MIDIVAL WITH COVER AND BUS BAR	0300468	1



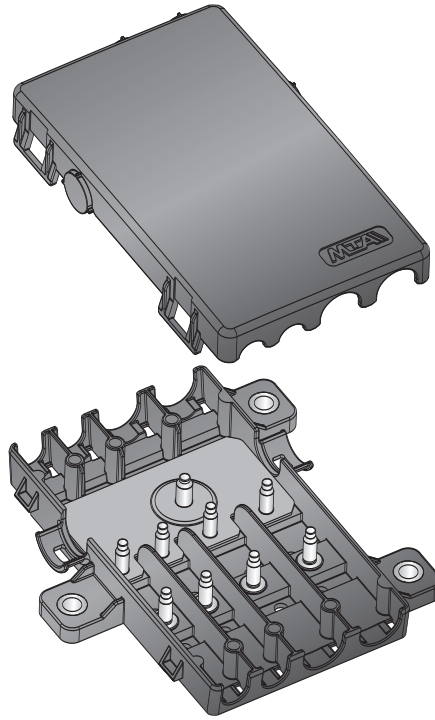
CONNECTIONS AND FIXINGS



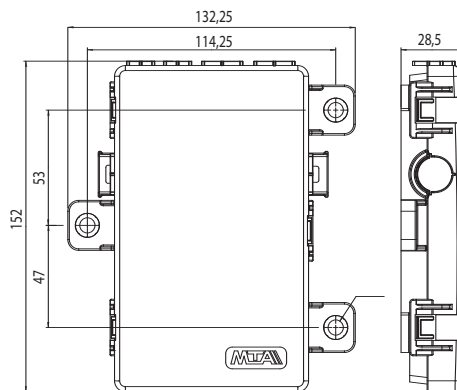
MIDI UNI
POL A,B,D

IMG	1-2
-----	-----

MIDIVAL® 4 WAY



IMG	DESCRIPTION	P/N	M.O.Q.
1	PRE MOUNTED HOUSING FOR 4 MIDIVAL WITH COVER AND BUS BAR	0300552	1



CONNECTIONS AND FIXINGS

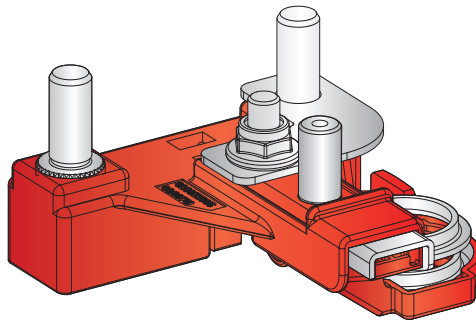


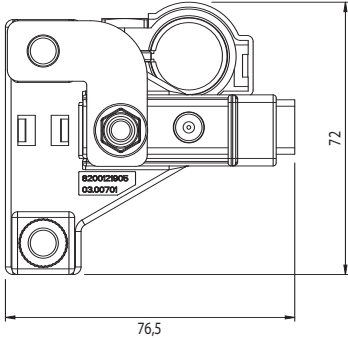
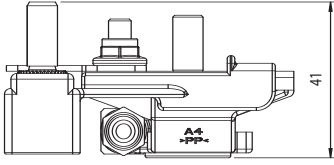
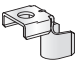
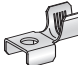
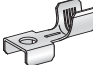
1708250



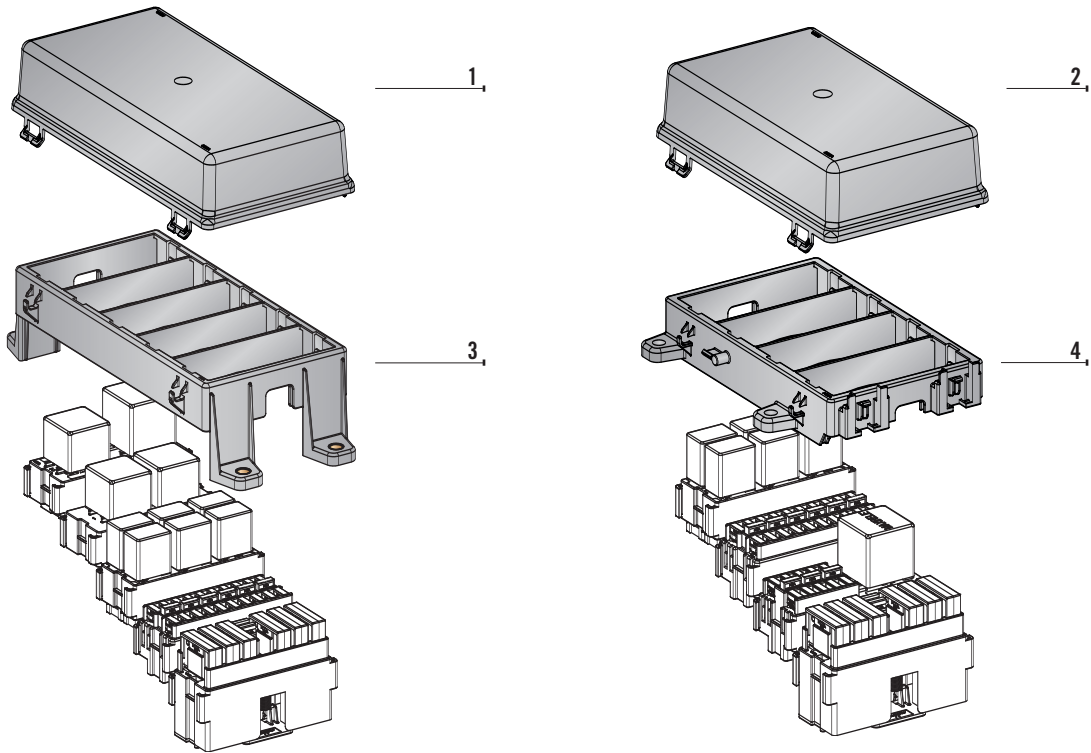
1708246

CBA X73

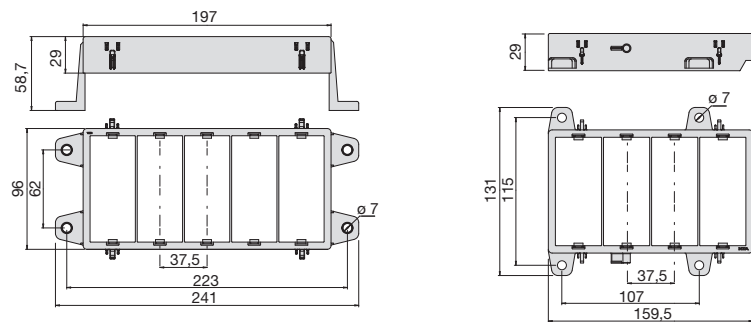


DESCRIPTION	P/N	M.O.Q.
PRE-MOUNTED HOUSING FOR 1 POWER/MEGAVAL WITH BATTERY TERMINAL	0100703	1
<div style="display: flex; justify-content: space-around; align-items: center;">   </div>		
<p>CONNECTIONS AND FIXINGS</p>		
 <p>1608180</p>	 <p>1708110</p>	 <p>1608196</p>

FRAMES & COVERS



IMG	DESCRIPTION	WAY	MATERIAL	COLOUR		P/N BOX	M.O.Q.	P/N BULK	M.O.Q.
1	COVER	5	PP GF30	■ Grey		0101540	1	0301540	70
2	COVER	4	PP GF30	■ Grey		0101530	1	0301530	63
3	FRAME	5	PP GF30	■ Grey		0101450	1	0301450	85
4	FRAME	4	PP GF30	■ Grey		0101520	1	0301520	63



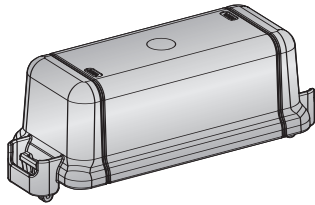
CONNECTIONS AND FIXINGS



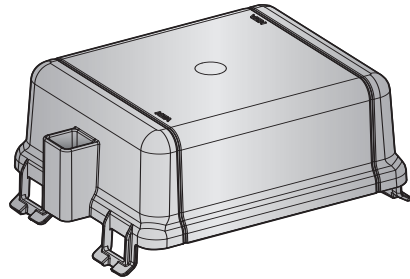
0301630

IMG	3+4
-----	-----

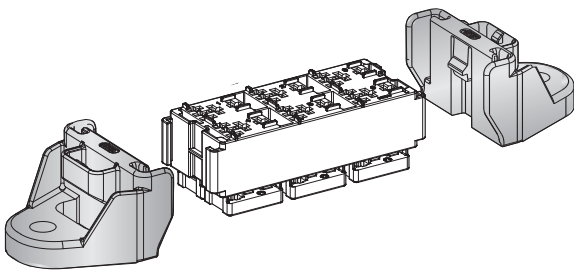
BRACKETS & COVERS



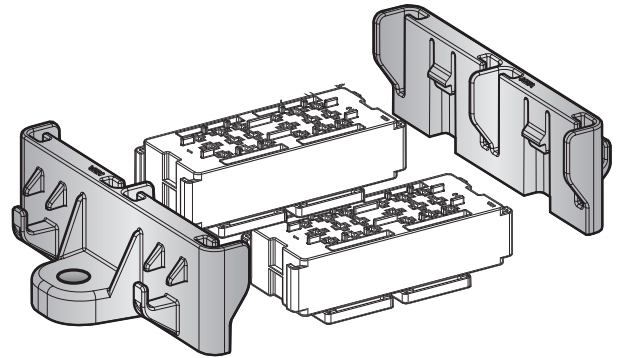
1



2

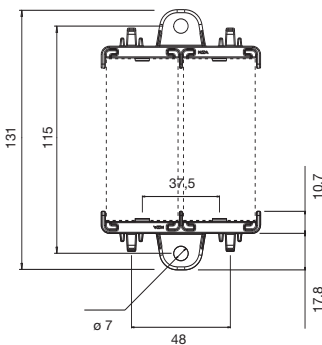
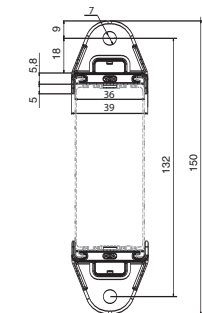
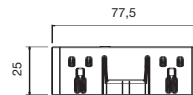
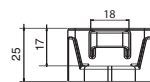


3

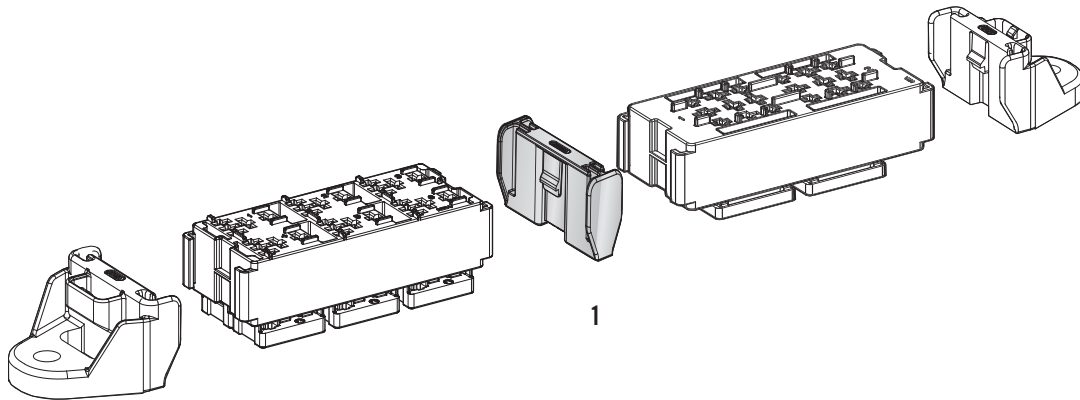


4

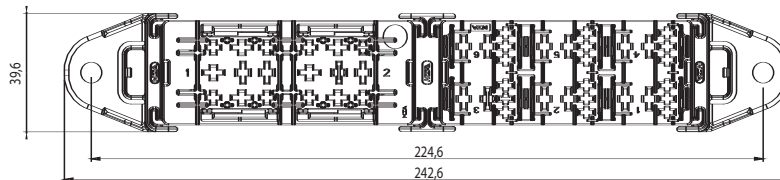
IMG	DESCRIPTION	WAY	MATERIAL	COLOUR		P/N BOX	M.O.Q.	P/N BULK	M.O.Q.
1	COVER	1	PP GF30	■ Grey		0101590	1	0301590	150
2	COVER	2	PP GF30	■ Grey		0101550	1	0301550	200
3	BRACKET	1	PP GF30	■ Grey		0101580	2	0301580	600
4	BRACKET	2	PP GF30	■ Grey		0100699	2	0300699	400



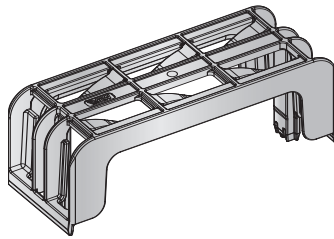
BRACKETS & COVERS



IMG	DESCRIPTION	WAY	MATERIAL	COLOUR		P/N BULK	M.O.Q.
1	BRACKET	1	PP GF30	■ Grey		0301620	250

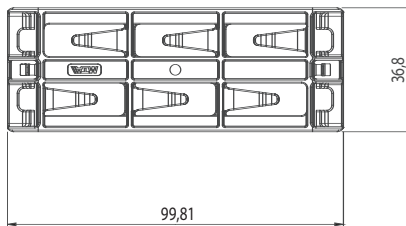
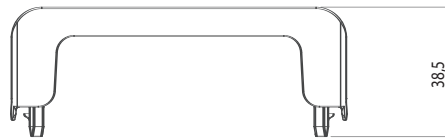


BRACKETS & COVERS

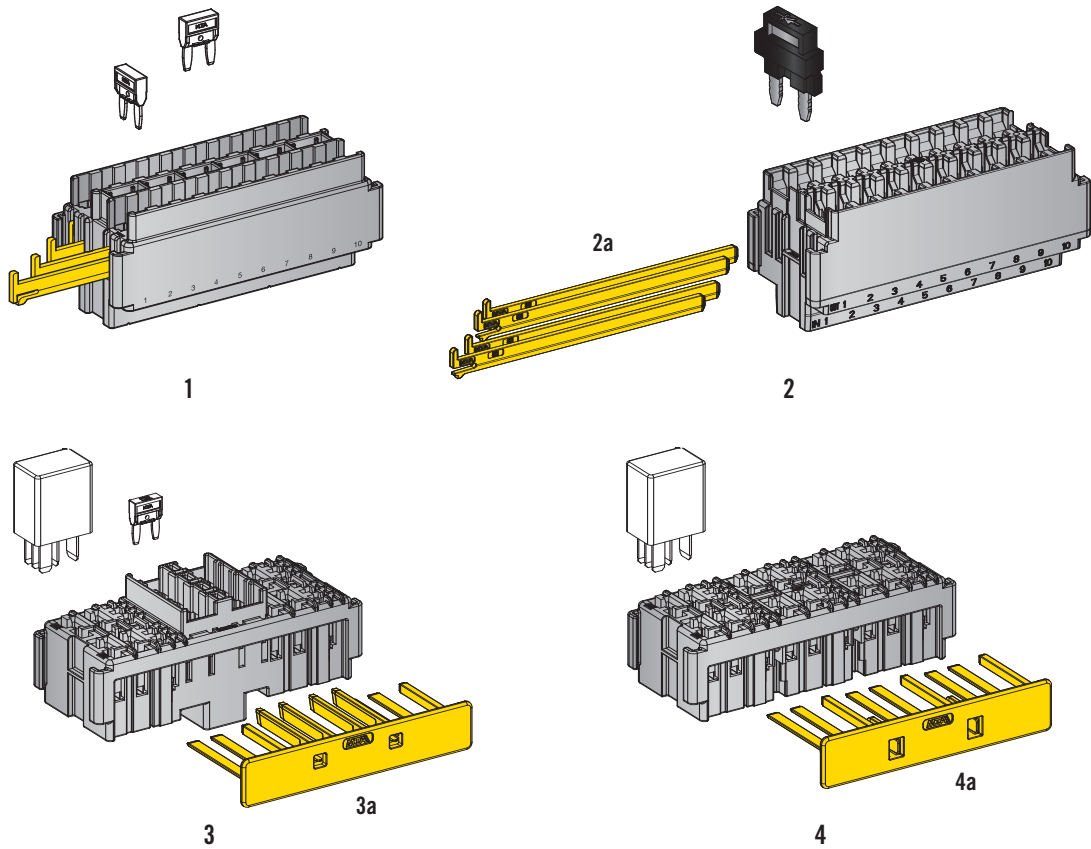


1

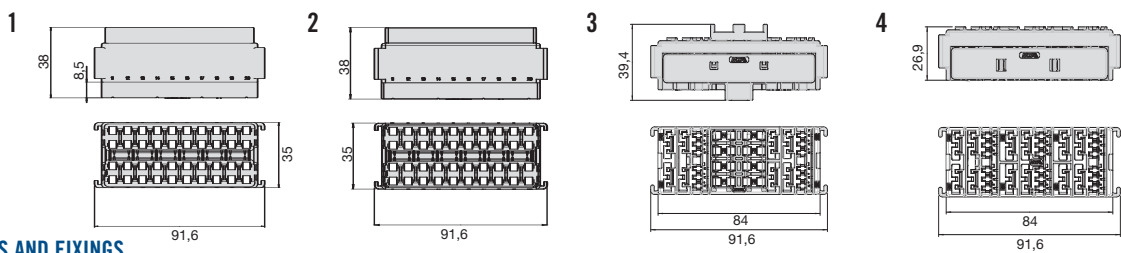
IMG	DESCRIPTION	MATERIAL	COLOUR		P/N BULK	M.O.Q.
1	COVER	PA 66 - GF13	■ Grey		0301630	350



MODULES



IMG	DESCRIPTION	WAY	MATERIAL	COLOUR		P/N BOX	M.O.Q.	P/N BULK	M.O.Q.
1	MINIVAL MODULE	20	PA66 MD25	Grey		0101460	1	0301460	250
2	DIODES/MINIVAL MODULE	20	PA66 MD25	Grey		0101640	1	0301640	230
2a	SECONDARYLOCK		PA66 GF 13	Yellow				0300793	7000
3	MINIVAL/MICRORELAY MODULE	8 + 4	PA66 MD25	Grey		0101564	1	0301564	
3a	SECONDARYLOCK		PA66 GF 13	Yellow				0301566	
4	MICRORELAY HOLDER	6	PA66 MD25	Grey		0101484	1	0301484	
4a	SECONDARYLOCK		PA66 GF 13	Yellow				0301486	

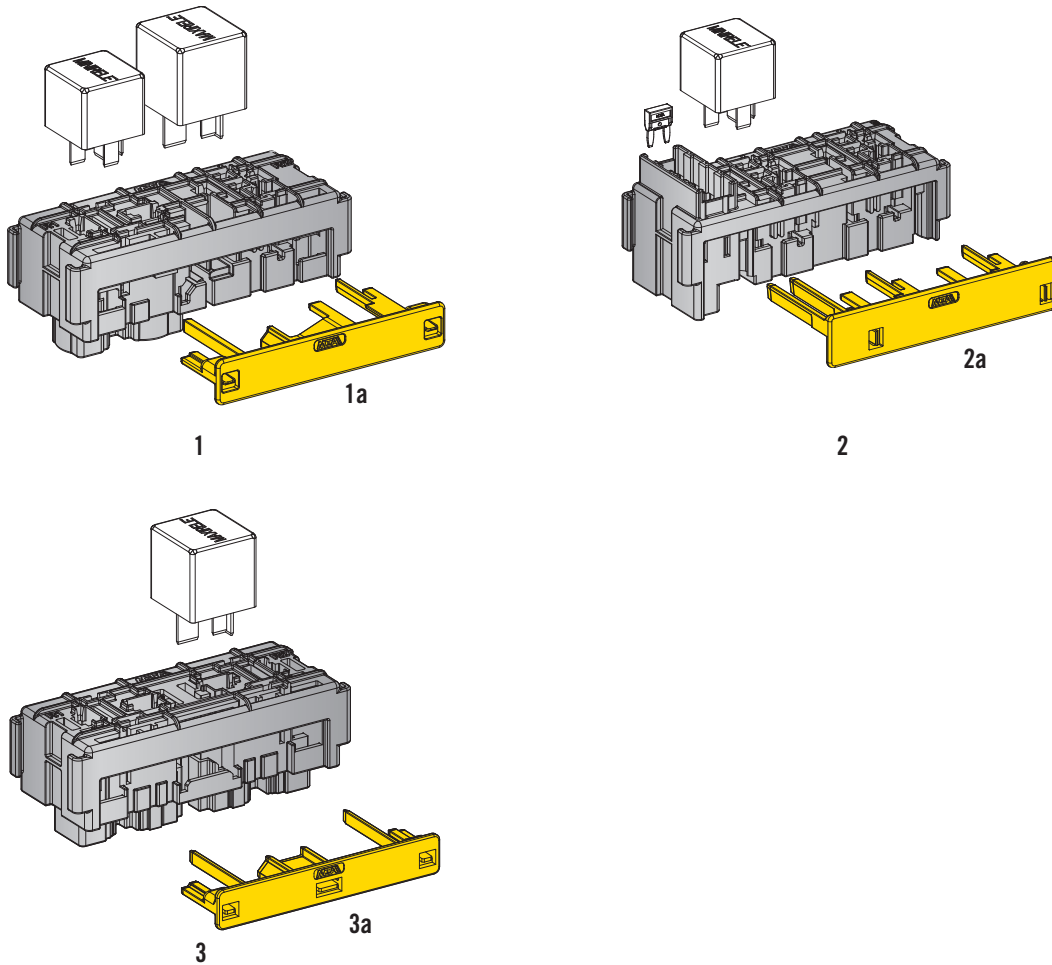


CONNECTIONS AND FIXINGS

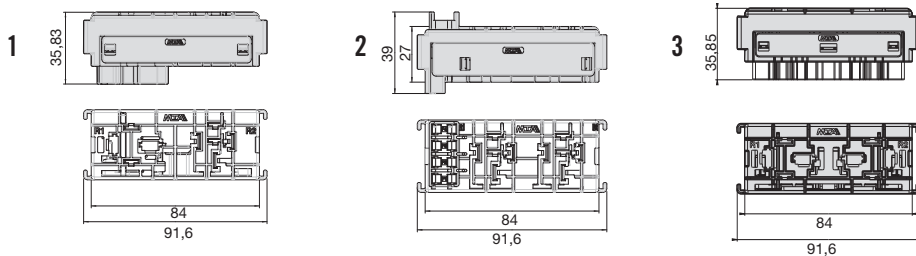


IMG	1+2+3	1+2+3	3+4	3+4	1+2+3+4
-----	-------	-------	-----	-----	---------

MODULES



IMG	DESCRIPTION	WAY	MATERIAL	COLOUR		P/N BOX	M.O.Q.	P/N BULK	M.O.Q.
1	MINI/MAXI RELAY MODULE	1 + 1	PA66 MD25	Grey		0101494	1	0301494	
1a	SECONDARYLOCK		PA66 GF 13	Yellow				0301496	600
2	MINIVAL/MINIRELAY MODULE	4 + 2	PA66 MD25	Grey		0101504	1	0301504	
2a	SECONDARYLOCK		PA66 GF 13	Yellow				0301506	
3	MAXIRELAY MODULE	2	PA66 MD25	Grey		0101660	1	0301660	100
3a	SECONDARYLOCK		PA66 GF 13	Yellow				0301661	600

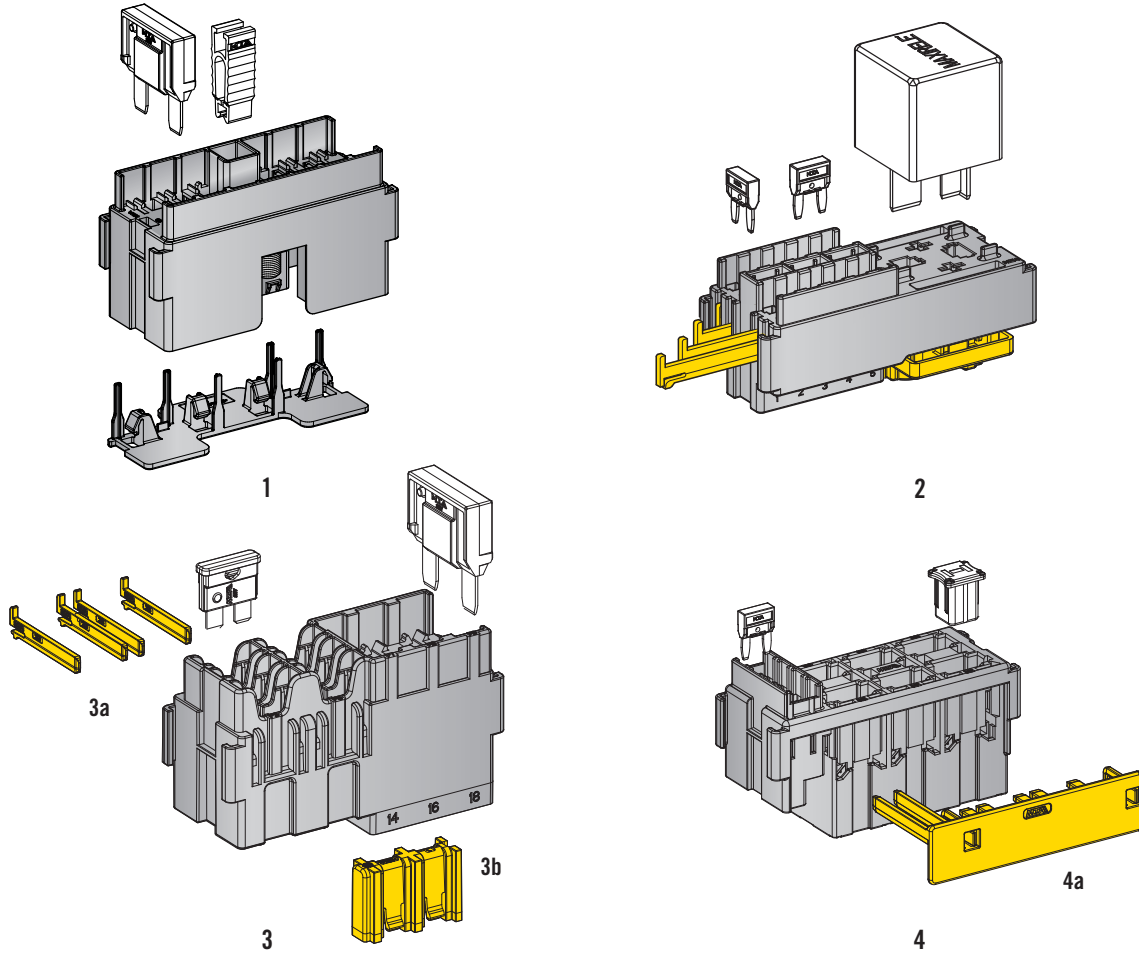


CONNECTIONS AND FIXINGS

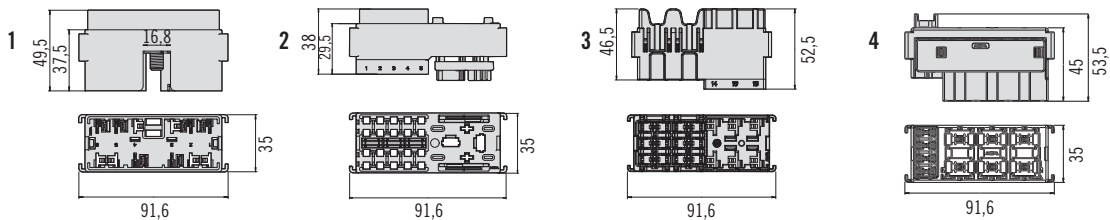


IMG	1+3	1+2+3	2	2	1+2+3
-----	-----	-------	---	---	-------

MODULES



IMG	DESCRIPTION	WAY	MATERIAL	COLOUR	P/N BOX	M.O.Q.	P/N BULK	M.O.Q.
1	MAXIVAL MODULE	6	PBT GF20	Grey	0101470	1	0301470	50
2	MINIVAL/MAXIRELAY MODULE	10 + 1	PA66 MD25	Grey	0101510	1	0301510	300
3	MAXIVAL/UNIVAL MODULE	3 + 6	PA66 MD25	Grey	0101600	1	0301600	80
3a	SECONDARY LOCK FOR UNIVAL		PA66 GF13	Yellow			0301601	6000
3b	SECONDARY LOCK FOR MINIVAL		PA66 GF13	Yellow			0301602	2000
4	MINIVAL/TYP A1S MODULE	4+6			0101690	1	0301690	
4a	SECONDARY LOCK						0301691	

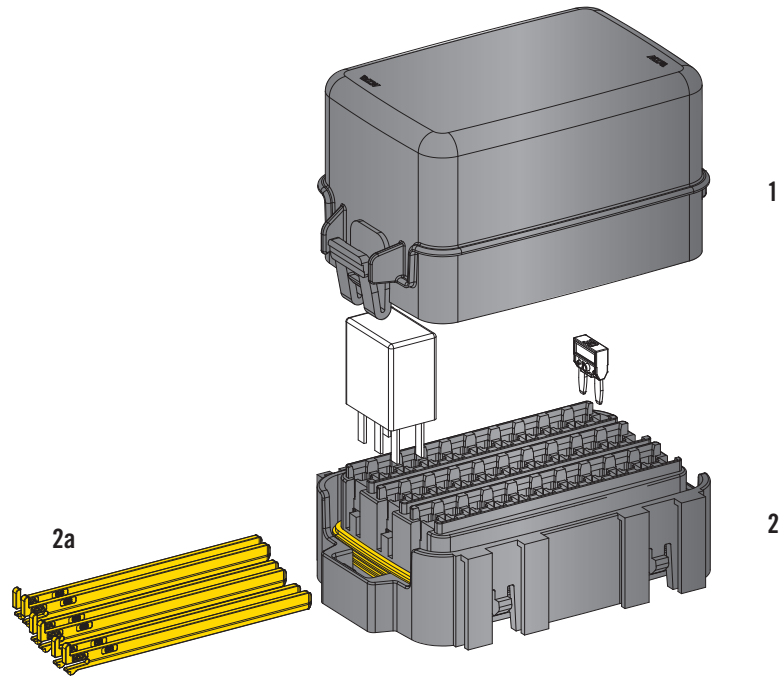


CONNECTIONS AND FIXINGS

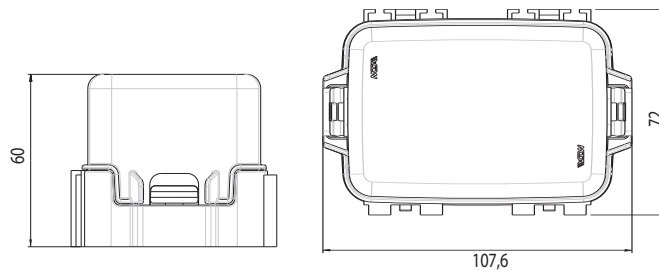


IMG	1+3	2	2	2+4	2+4	3	3	4	1+2+3+4
-----	-----	---	---	-----	-----	---	---	---	---------

FOOT PRINT WP MODULE



IMG	DESCRIPTION	WAY	MATERIAL	COLOUR	P/N	M.O.Q.	P/N	M.O.Q.
1	COVER		PPGF30	Grey	0101371	1	0301371	
2	MINIVAL/MICRORELAY WP FOOTPRINT MODULE	10 /10	PA66MD25	Grey	0101370	1	0301370	
2a	SECONDARY LOCK		PA66	Yellow			0301372	



CONNECTIONS AND FIXINGS



F280 WP

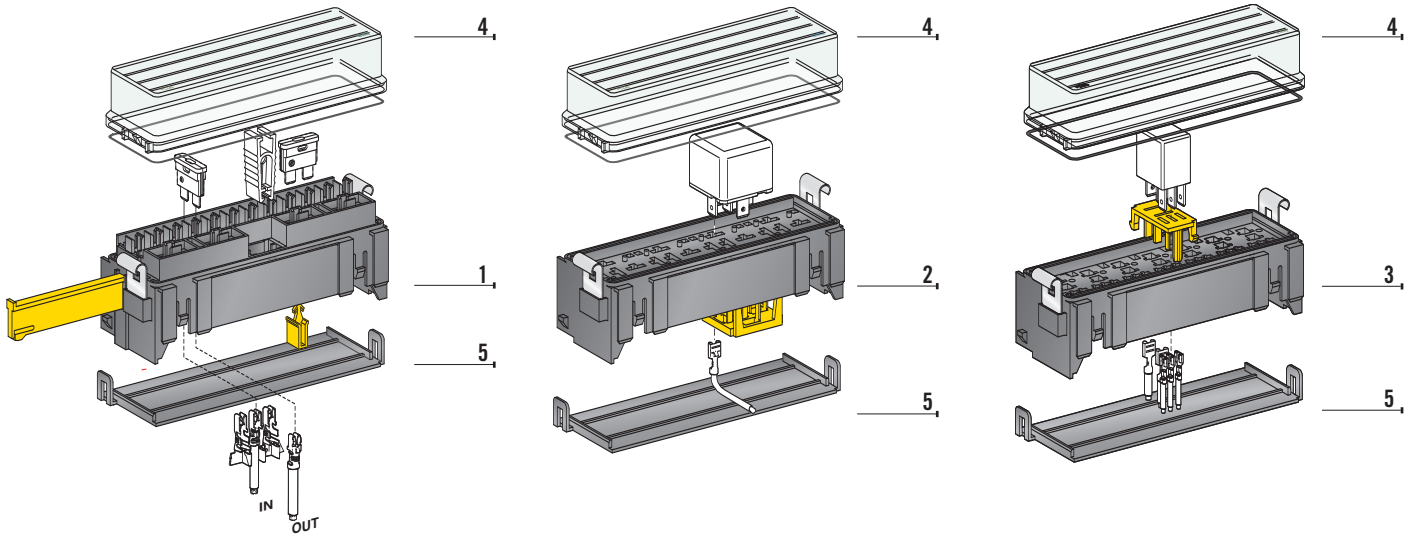


0300690

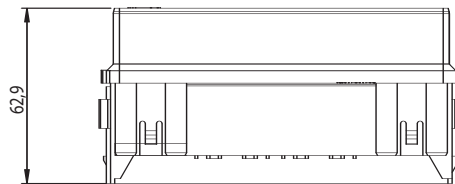
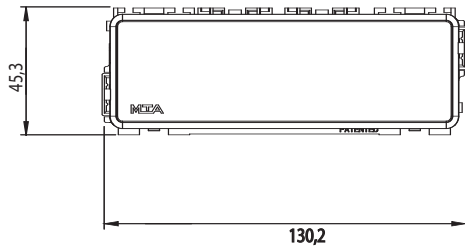


0300691

FUSE BOXES



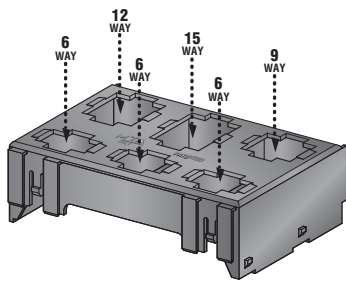
IMG	DESCRIPTION	WAY	MATERIAL	COLOUR	P/N KIT WITH COVER AND TERMINAL	M.O.Q.	P/N BULK	M.O.Q.
1	UNIVAL HOLDER	16	PA66 GF25	■Black	0100655	16	0300650	36
2	MINI RELAY HOLDER	4	PA66 GF25	■Black	0100665	16	0300660	72
3	MICRO RELAY HOLDER	7	PA66 GF25	■Black	0100705	16	0300700	100
4	COVER WITH GASKET		PC	□Natural			0300670	72
5	BOTTOM COVER		PA66	■Black			0300680	72



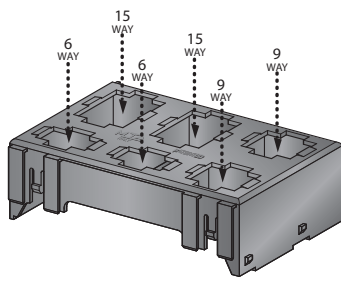
CONNECTIONS AND FIXINGS

0300690 0300691	UNI F630 BUS-BAR	UNI F630	FASTON F630 WITH LOCKING NOTCH	FASTON F480 PASSO 5	FASTON F630 THICKNESS 0,35	0300856	
IMG	1+2+3	1	1	2	3	3	1+2+3

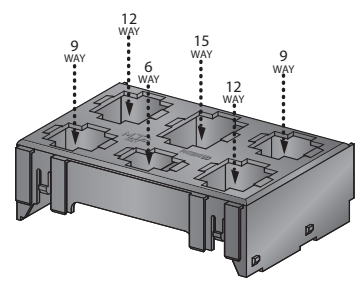
CONNECTOR BOX



1

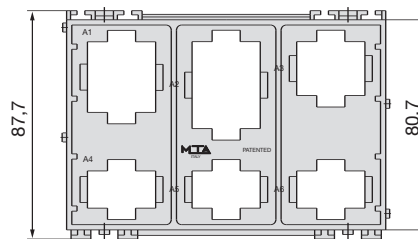
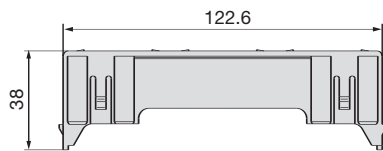


2

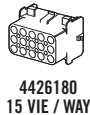
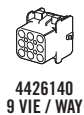


3

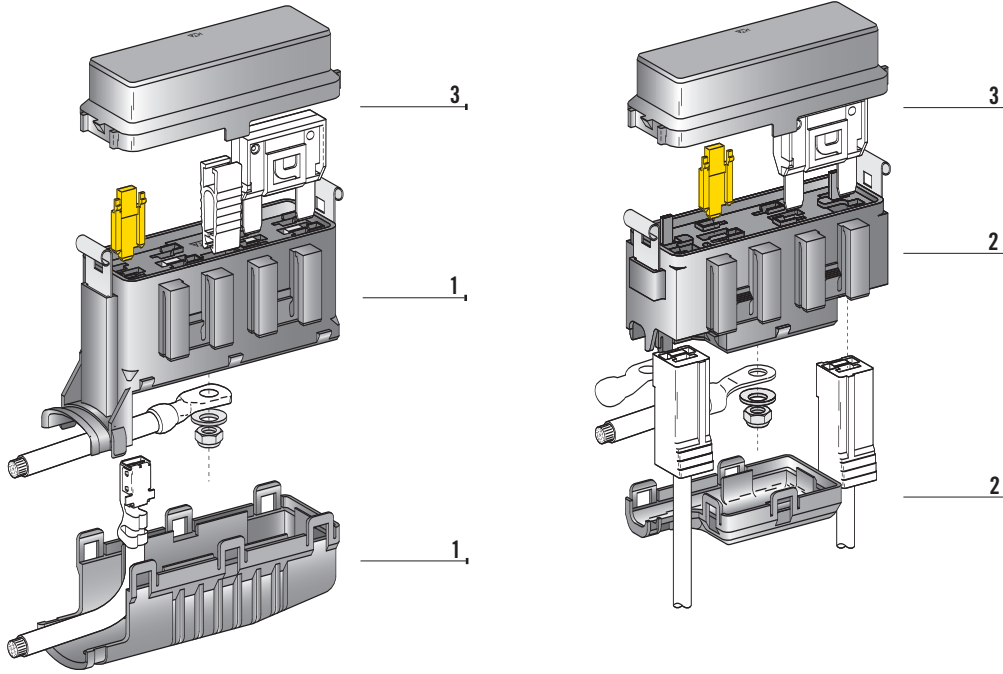
IMG	DESCRIPTION	WAY	MATERIAL	COLOUR		P/N BULK	M.O.Q.
1	CONNECTOR BOX	6	PA66 GF30	■ Black		0300681	125
2	CONNECTOR BOX	6	PA66 GF30	■ Black		0300683	125
3	CONNECTOR BOX	6	PA66 GF30	■ Black		0300684	125



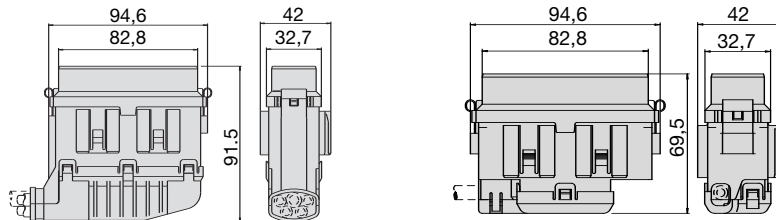
CONNECTIONS AND FIXINGS



LINK BOX



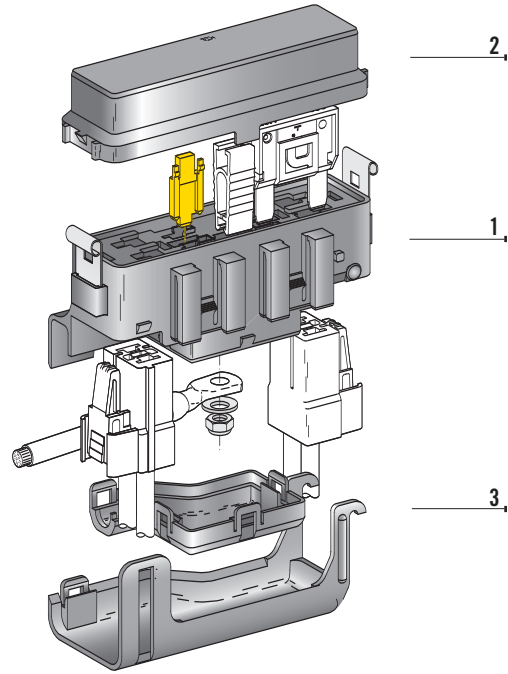
IMG	DESCRIPTION	WAY	MATERIAL	COLOUR	P/N KIT WITH COVER AND TERMINALS	M.O.Q.	P/N BULK	M.O.Q.
1	HOUSING + BOTTOM COVER + S.LOCK + NUT	4	PA66 GF25 PA66	■Black	0100500	5	0300500	200
2	HOUSING + BOTTOM COVER + S.LOCK + NUT	2	PA66 GF25 PA66	■Black	0100900	10	0300900	200
3	COVER WITH GASKET		PA66 GF25	■Black			0300950	200



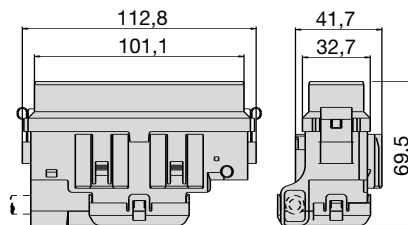
CONNECTIONS AND FIXINGS

0300949	0300851	0300690	0300691	F800	1605000	GND L32 M6	4540145	4540135	4545100
IMG	1+2	1+2	1+2	1+2	1	2	2	2	2

LINK BOX



IMG	DESCRIPTION	WAY	MATERIAL	COLOUR	P/N KIT WITH COVER AND TERMINALS	M.O.Q.	P/N BULK	M.O.Q.
1	HOUSING + BOTTOM COVER + S.LOCK + NUT	4	PA66 GF25 PA66	■Black	0100800	5	0300800	150
2	UPPER COVER WITH GASKET		PA66 GF25	■Black			0300850	150
3	WIRE'S COVER		PA66	■Black			0300849	400



CONNECTIONS AND FIXINGS



0300949



0300848



0300691



F800



1605000



4540315



4540345

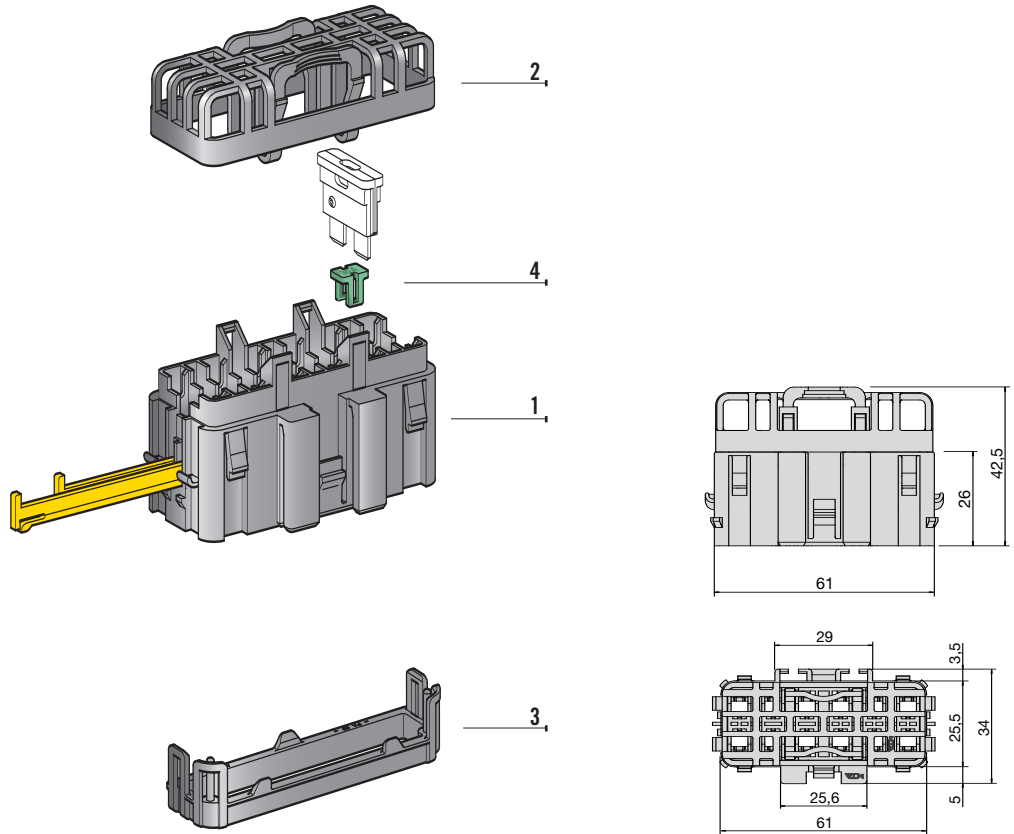


0300851



4545100

6-WAY U.P.L.

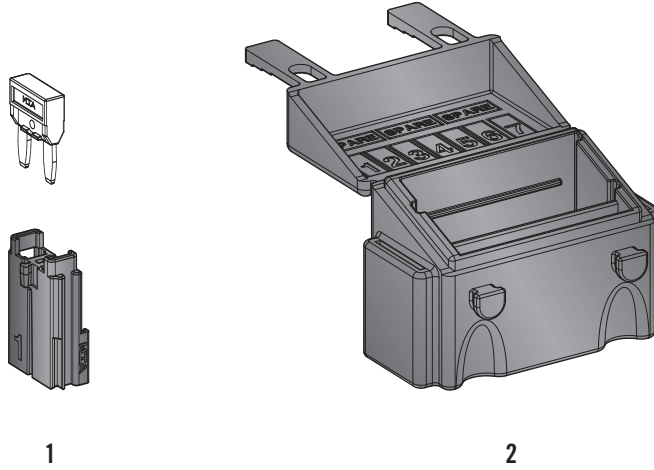


IMG	DESCRIPTION	WAY	MATERIAL	COLOUR		P/N KIT WITH TERMINALS	M.O.Q.	P/N BULK	M.O.Q.
1	HOUSING	6	PA66 GF25	■ Black				0303006	600
2	COVER		PA66 GF30	■ Black				0303009	600
3	WIRE'S COVER		PA66	■ Black				0303008	1200
4	IDENTIFICATION INSERT 3 AMP		PBT GF20	■ Violet				0303003	500
	IDENTIFICATION INSERT 5 AMP		PBT GF20	■ Beige				0303005	500
	IDENTIFICATION INSERT 7,5 AMP		PBT GF20	■ Brown				0303007	500
	IDENTIFICATION INSERT 10 AMP		PBT GF20	■ Red				0303010	500
	IDENTIFICATION INSERT 15 AMP		PBT GF20	■ Blue				0303015	500
	IDENTIFICATION INSERT 20 AMP		PBT GF20	■ Yellow				0303020	500
	IDENTIFICATION INSERT 25 AMP		PBT GF20	□ White				0303025	500
	IDENTIFICATION INSERT 30 AMP		PBT GF20	■ Green				0303030	500
	KIT WITH COVER AND TERMINALS					0103000	1		

CONNECTIONS AND FIXINGS



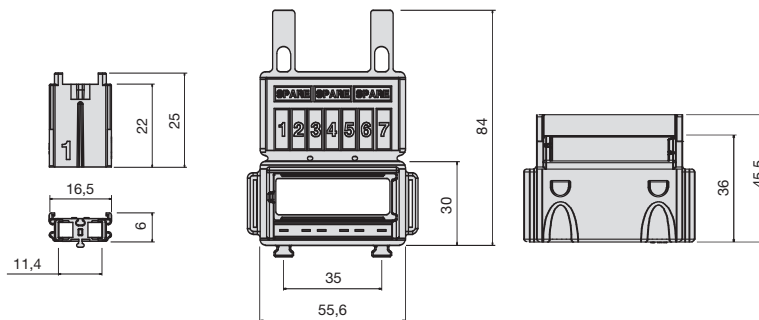
SML



1

2

IMG	DESCRIPTION	WAY	MATERIAL	COLOUR	P/N KIT WITH TERMINALS	M.O.Q.	P/N	M.O.Q.
1	HOUSING	1	PA66 GF30	■Black			0301420	2800
2	MODULE FOR MINIVAL	7	EPDM-60	■Black			0301430	400
	MODULE FOR MINIVAL	7	EPDM-60-D15	■Black			0301431	400
	KIT WITH TERMINALS				0301435	1		

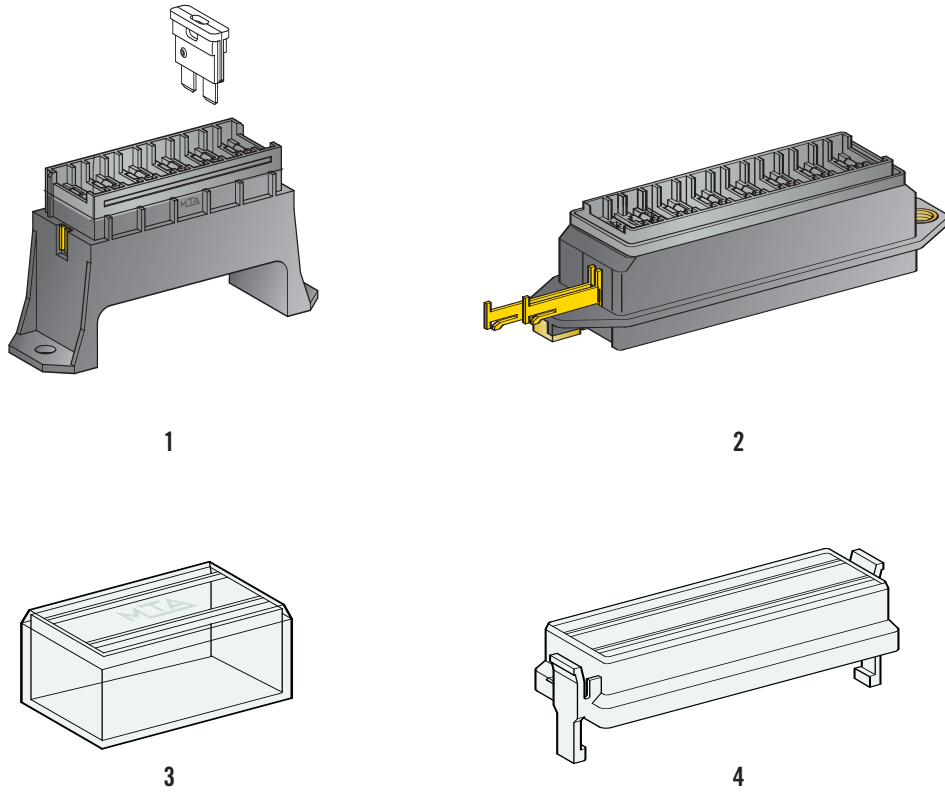


CONNECTIONS AND FIXINGS

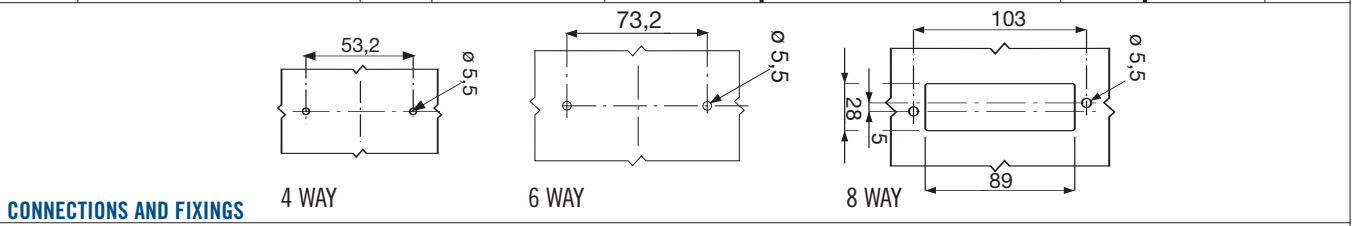


F280

AXIAL EXITS

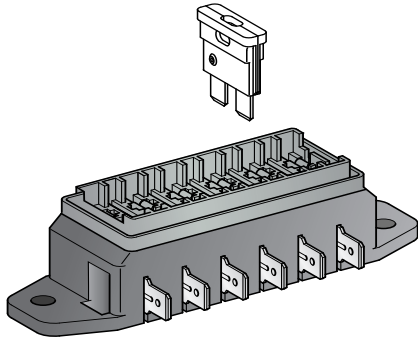


IMG	DESCRIPTION	WAY	MATERIAL	COLOUR	P/N KIT WITH COVER AND TERMINALS	M.O.Q.	P/N BULK	M.O.Q.
1	HOUSING WITH TERMINALS	4	PA66 GF30	■ Black	0100540	10	0300540	500
	HOUSING W/OUT TERMINALS	4	PA66 GF30	■ Black				
2	HOUSING WITH TERMINALS	6	PA66 GF30	■ Black	0100560	10	0300560	500
	HOUSING W/OUT TERMINALS	6	PA66 GF30	■ Black				
3	COVER	4	PC	□ Natural			0300542	500
	COVER	6	PC	□ Natural				
4	COVER WITH GASKET	8	PA 12	□ Natural			0300582	150

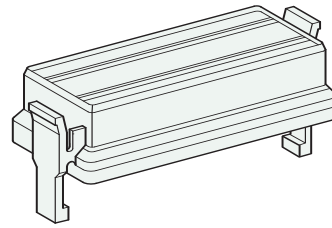


IMG	1+2	1+2
-----	-----	-----

LATERAL EXITS

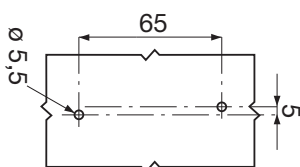


1

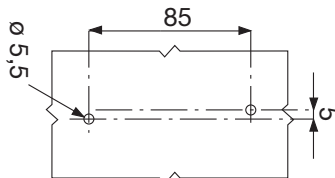


2

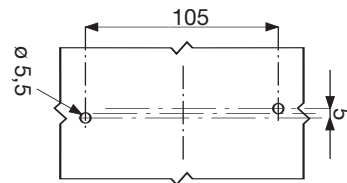
IMG	DESCRIPTION	WAY	MATERIAL	COLOUR	P/N KIT WITH COVER	M.O.Q.	P/N BULK	M.O.Q.
1	HOUSING WITH TERMINALS	4	PA66 GF30	■ Black	0100610	10	0300610	500
	HOUSING WITH TERMINALS	6	PA66 GF30	■ Black	0100600	10	0300600	400
	HOUSING WITH TERMINALS	8	PA66 GF30	■ Black	0100590	10	0300590	300
2	COVER WITH GASKET	4	PA12	□ Natural			0300612	500
	COVER WITH GASKET	6	PA12	□ Natural			0300602	400
	COVER WITH GASKET	8	PA12	□ Natural			0300582	150



4 WAY

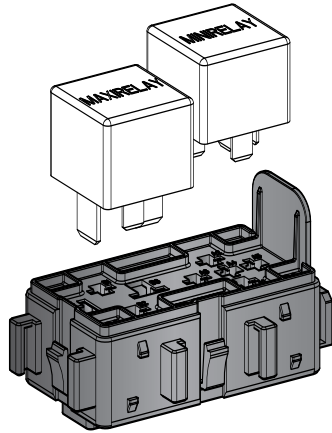


6 WAY

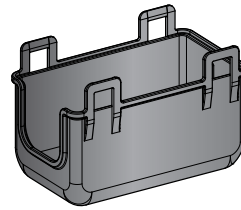


8 WAY

RELAY HOLDER

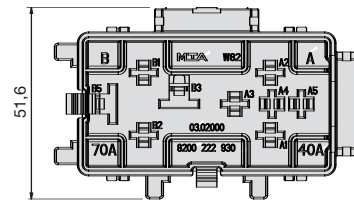
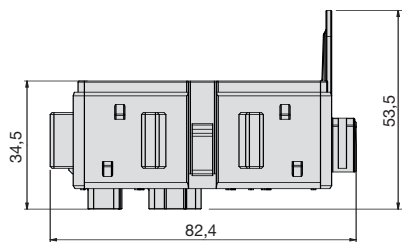


1



2

IMG	DESCRIPTION	WAY	MATERIAL	COLOUR	P/N BOX	M.O.Q.	P/N BULK	M.O.Q.
1	HOLDER FOR MAXI AND MINI RELAY	2	PBT GF20	■Black	0102000	1	0302000	240
2	UPPER AND BOTTOM COVER		PP	■Black	0102001	1	0302001	240



CONNECTIONS AND FIXINGS

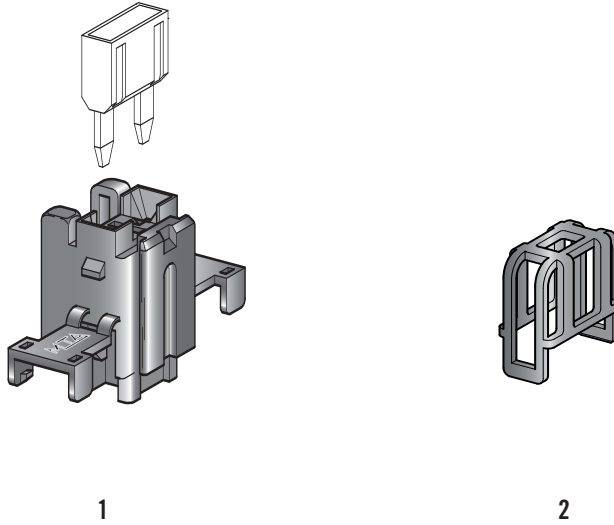


L-TYPE F950

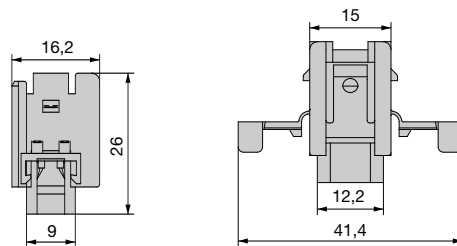


NG1 6,3

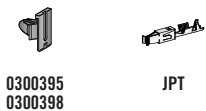
MINIVAL® IN-LINE HOLDER



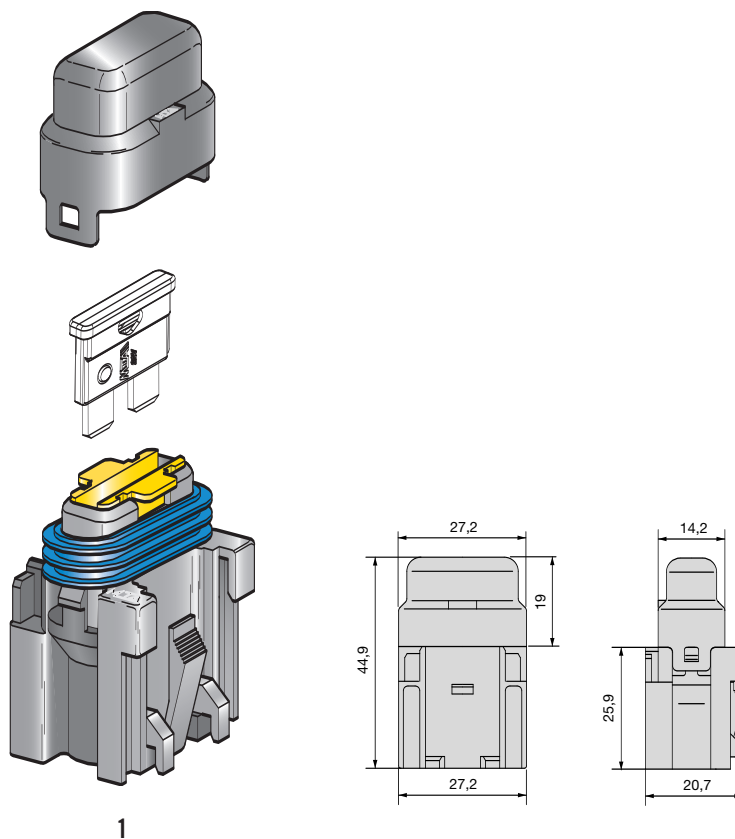
IMG	DESCRIPTION	WAY	MATERIAL	COLOUR	P/N BOX	M.O.Q.	P/N BULK	M.O.Q.	P/N BULK	M.O.Q.
1	HOUSING	1	PA66	■Black	0101400	5	0301400	200	0301410	2000
2	COVER		PA66	■Black	0100416	5			0300416	2000
	KIT WITH TERMINALS				3050152	20				



CONNECTIONS AND FIXINGS



SPLASH PROOF UNIVAL® HOLDER



1

IMG	DESCRIPTION	WAY	MATERIAL	COLOUR	S. LOCK COLOUR	P/N BOX	M.O.Q.	P/N BOX	M.O.Q.	P/N BULK	M.O.Q.
1	S.P. HOLDER+ COVER	1	PA66	Black	Black					0301301	1500
	+ SECONDARYLOCK 1 AMP		PBT GF20		Beige			0302305	100	0301305	1500
	+ SECONDARYLOCK 5 AMP		PBT GF20		Brown					0301307	1500
	+ SECONDARYLOCK 7,5 AMP		PBT GF20		Red			0302310	100	0301310	1500
	+ SECONDARYLOCK 10 AMP		PBT GF20		Blue			0302315	100	0301315	1500
	+ SECONDARYLOCK 15 AMP		PBT GF20		Yellow	0101320	50	0302320	100	0301320	1500
	+ SECONDARYLOCK 20 AMP		PBT GF20		Natural			0302325	100	0301325	1500
	+ SECONDARYLOCK 25 AMP		PBT GF20		Green			0302330	100	0301330	1500
	+ SECONDARYLOCK 30 AMP		PBT GF20								
	KIT WITH TERMINALS, GASKET AND FIXING PLATE					3050153	1				

CONNECTIONS AND FIXINGS



0300848



0300949



0300851



0300856



0300392



0300440



0300430



0300697

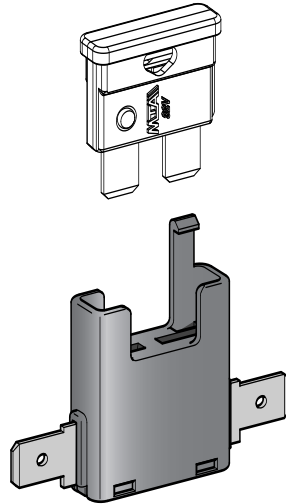


0300698



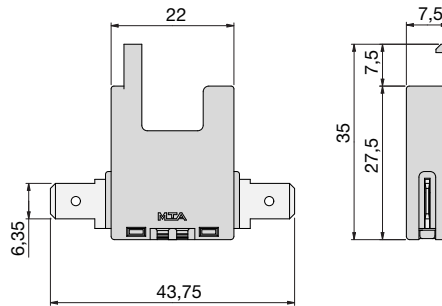
UNI F630

UNIVAL[®] NKA HOLDER

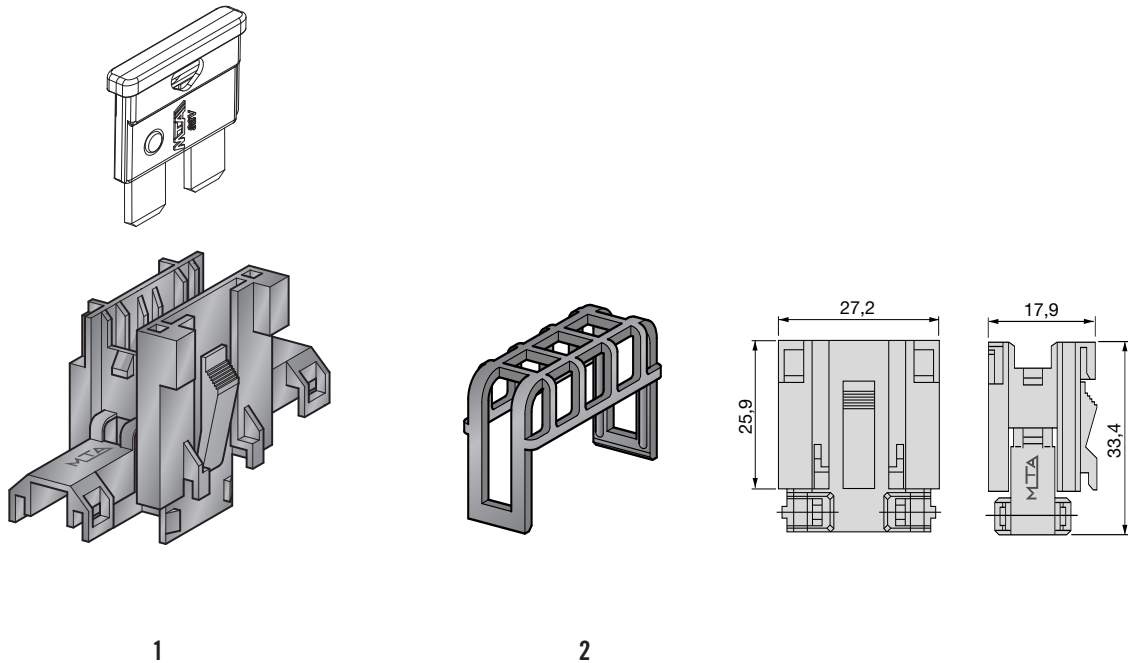


1

IMG	DESCRIPTION	WAY	MATERIAL	COLOUR	P/N BOX	M.O.Q.	P/N BULK	M.O.Q.
1	NKA FUSEHOLDER	1	PA66	■ Black	0100345	50	0300345	2000

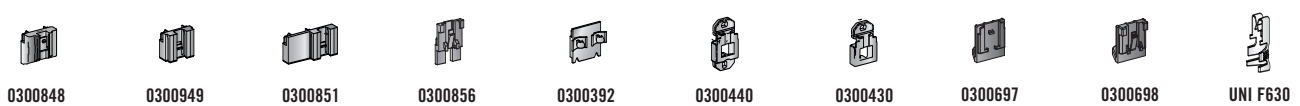


UNIVAL[®] HOLDER



IMG	DESCRIPTION	WAY	MATERIAL	COLOUR	P/N BOX	M.O.Q.	P/N BULK	M.O.Q.
1	HOLDER	1	PA66	■ Black	0100400	125	0300400	500
	HOLDER	1	PA66	■ Beige			0300401	500
	HOLDER	1	PA66	■ Brown			0300402	500
	HOLDER	1	PA66	■ Red			0300403	500
	HOLDER	1	PA66	■ Blue			0300404	500
	HOLDER	1	PA66	■ Yellow			0300405	500
	HOLDER	1	PA66	□ White			0300406	500
	HOLDER	1	PA66	■ Green			0300407	500
2	COVER		PA66 GF30	■ Black	0100415	25	0300415	1000

CONNECTIONS AND FIXINGS



0300848

0300949

0300851

0300856

0300392

0300440

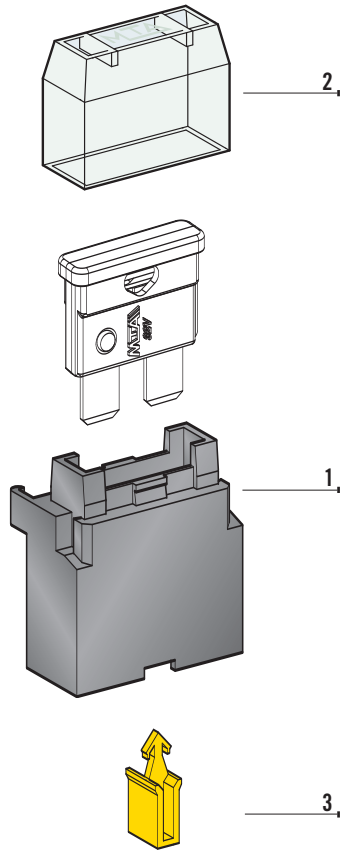
0300430

0300697

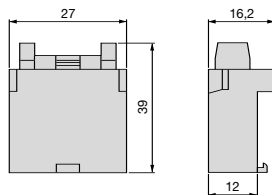
0300698

UNI F630

UNIVAL[®] HOLDER



IMG	DESCRIPTION	WAY	MATERIAL	COLOUR	P/N BOX	M.O.Q.	P/N BULK	M.O.Q.
1	HOLDER WITH TERMINALS	1	PA66	■ Black	0100351	250	0300351	1250
	HOLDER WITHOUT TERMINALS	1	PA66	■ Black			0300354	1000
	HOLDER WITH TERMINALS AND CABLES	1	PA66	■ Black	0100350	25		
2	COVER		PC	■ Transparent	0100359	250	0300359	500
3	SECONDARY LOCK		PA66	■ Yellow			0300357	250
	KIT WITH COVER, TERMINALS FIXING PLATE AND EXTRACTOR				0100353	20		



CONNECTIONS AND FIXINGS



03.00352

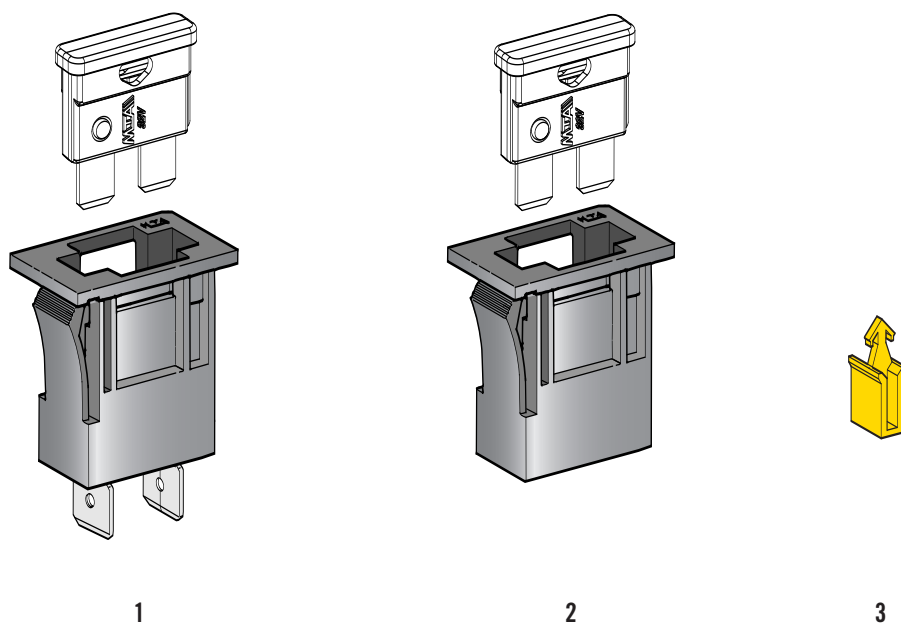


UNI F630

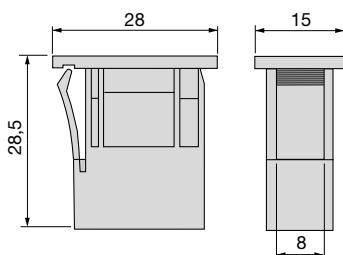


UNI F630

UNIVAL® INSERTABLE HOLDER



IMG	DESCRIPTION	WAY	MATERIAL	COLOUR	P/N BOX	M.O.Q.	P/N BULK	M.O.Q.
1	HOLDER WITH TERMINALS	1	PA66 GF25	■Black	0100330	25	0300330	500
2	HOLDER WITHOUT TERMINALS	1	PA66 GF25	■Black			0300331	1000
3	SECONDARYLOCK		PA66	■Yellow			0300357	250



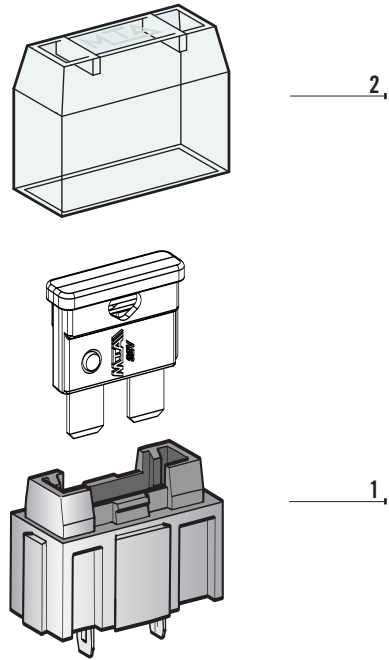
CONNECTIONS AND FIXINGS



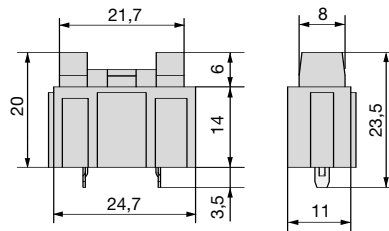
UNI F630 UNI F630

IMG	2	2
-----	---	---

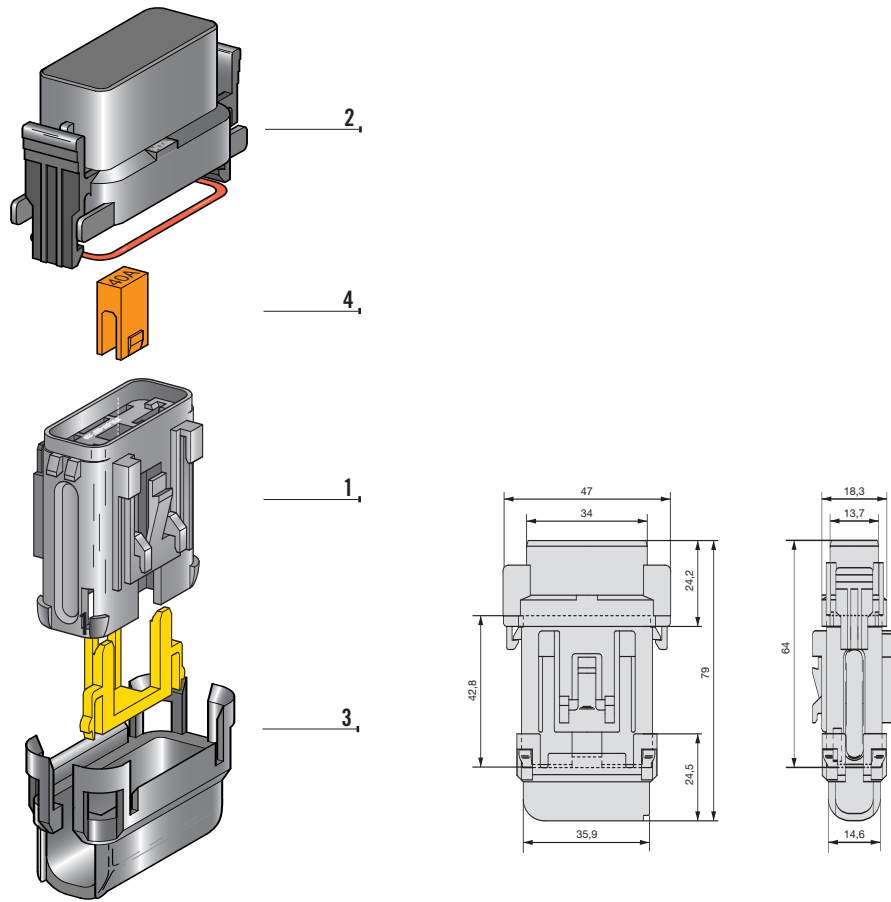
UNIVAL[®] PCB HOLDER



IMG	DESCRIPTION	WAY	MATERIAL	COLOUR	P/N BOX	M.O.Q.	P/N BULK	M.O.Q.
1	HOLDER	1	PA66 GF30	■ Black	0100420	5	0300420	1000
2	COVER	1	PC	□ Natural	0100359	250	0300359	500



SPLASH PROOF MAXIVAL® HOLDER



IMG	DESCRIPTION	WAY	MATERIAL	COLOUR	P/N BOX	M.O.Q.	P/N BULK	M.O.Q.
1	HOLDER + SECONDARY LOCK	1	PA66 GF25 PA66 GF30	■ Black ■ Yellow	0321000	250	0301000	1000
2	COVER WITH GASKET		PA66	■ Black	0321210	250	0301210	1500
3	BOTTOM COVER		PA66	■ Black	0321200	250	0301200	1500
4	IDENTIFICATION INSERT 30 AMP		PBT GF20	■ Green			0301030	1500
	IDENTIFICATION INSERT 40 AMP		PBT GF20	■ Orange			0301040	1500
	IDENTIFICATION INSERT 50 AMP		PBT GF20	■ Red			0301050	1500
	IDENTIFICATION INSERT 60 AMP		PBT GF20	■ Blue			0301060	1500
	IDENTIFICATION INSERT 70 AMP		PBT GF20	■ Beige			0301070	1500
	IDENTIFICATION INSERT 80 AMP		PBT GF20	□ Natural			0301080	1500
	KIT WITH TERMINALS				0101005 box	10		

CONNECTIONS AND FIXINGS



0300848



0300949



0300851



0300856



0300392



0300440

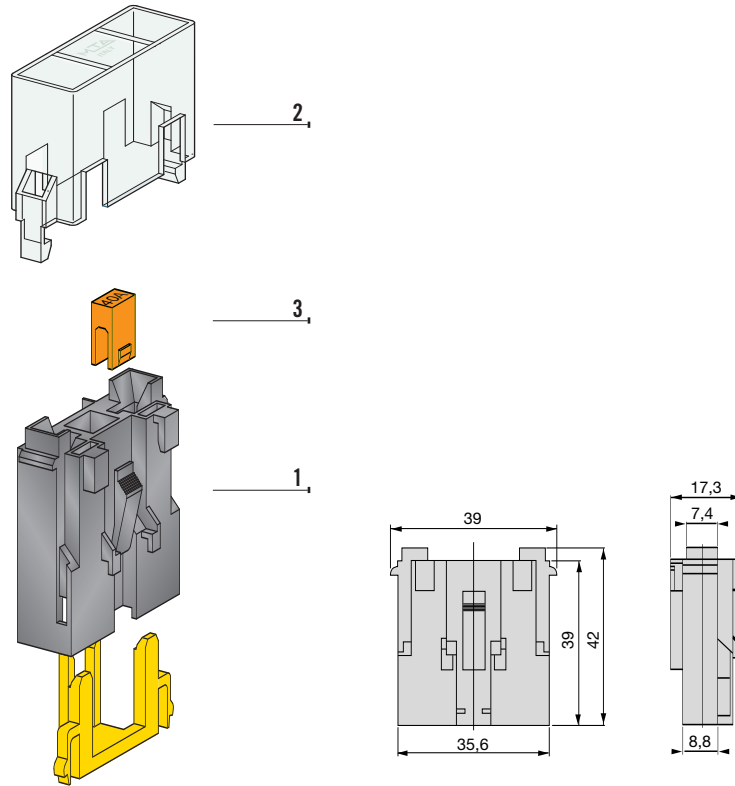


0300430



F800

MAXIVAL® HOLDER



IMG	DESCRIPTION	WAY	MATERIAL	COLOUR	P/N BOX	M.O.Q.	P/N BULK	M.O.Q.
1	HOLDER + SECONDARYLOCK	1	PA66 GF25 PA66 GF30	■ Black ■ Yellow	0100390	50	0300390	1500
2	COVER		PC	□ Natural	0100391	10	0300391	1000
3	IDENTIFICATION INSERT 30 AMP		PBT GF20	■ Green			0301030	1500
	IDENTIFICATION INSERT 40 AMP		PBT GF20	■ Orange			0301040	1500
	IDENTIFICATION INSERT 50 AMP		PBT GF20	■ Red			0301050	1500
	IDENTIFICATION INSERT 60 AMP		PBT GF20	■ Blue			0301060	1500
	IDENTIFICATION INSERT 70 AMP		PBT GF20	■ Beige			0301070	1500
	IDENTIFICATION INSERT 80 AMP		PBT GF20	□ Natural			0301080	1500
	KIT WITH TERMINALS				3001001	25		

CONNECTIONS AND FIXINGS



0300848

0300949

0300851

0300856

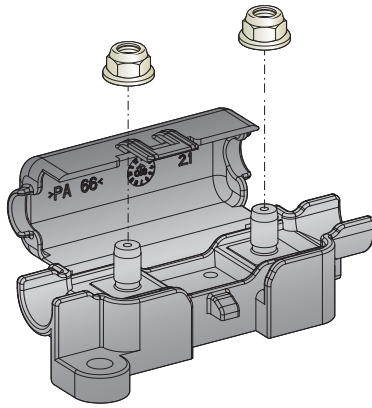
0300392

0300440

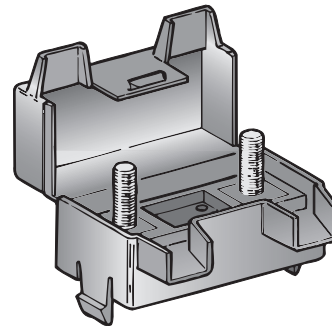
0300430

F800

MIDIVAL® HOLDER

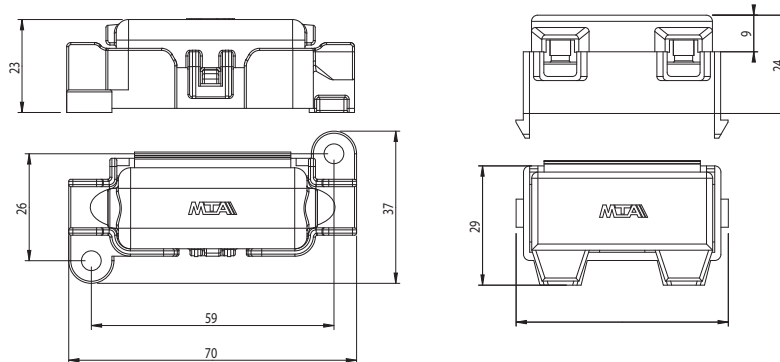


1



2

IMG	DESCRIPTION	WAY	MATERIAL	COLOUR	P/N BOX	M.O.Q.	P/N BULK	M.O.Q.
1	MIDIVAL HOLDER BOLT TYPE	1	PA66	■Black	0100360	75	0300360	200
2	MIDIVAL HOLDER CLIP TYPE	1	PA66	■Black	0100370	5	0300370	200

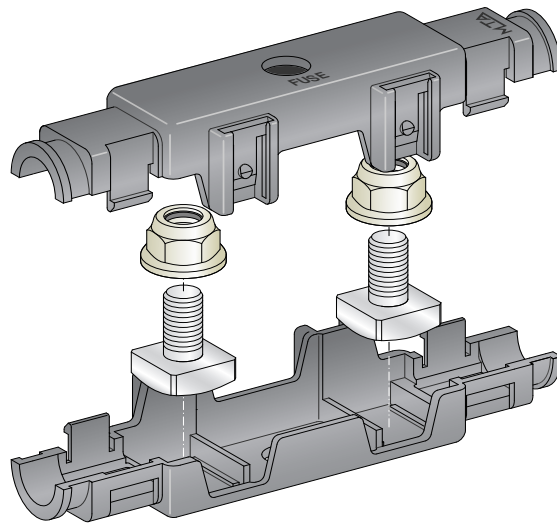


CONNECTIONS AND FIXINGS



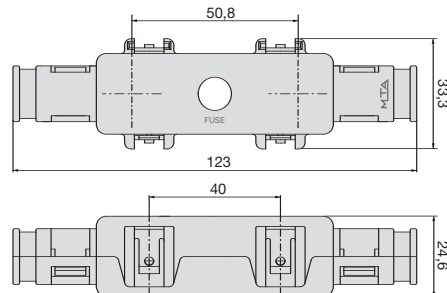
MIDI

MEGAVAL® HOLDER



1

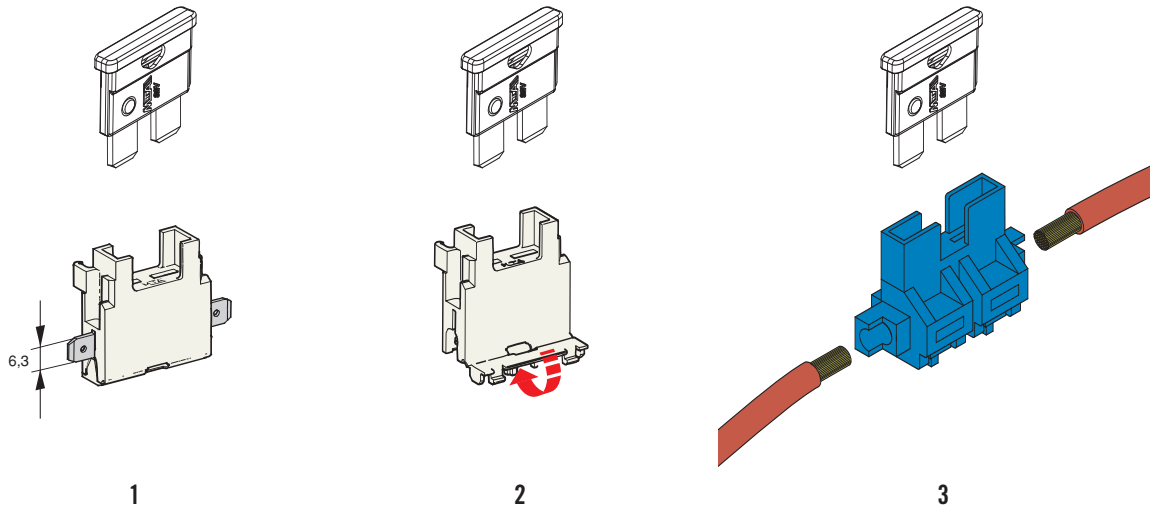
IMG	DESCRIPTION	WAY	MATERIAL	COLOUR		P/N	M.O.Q.
1	MEGAVAL HOLDER	1	PA66 GF30	■ Black		0300380	50
	KIT WITH TERMINALS					0100380	10



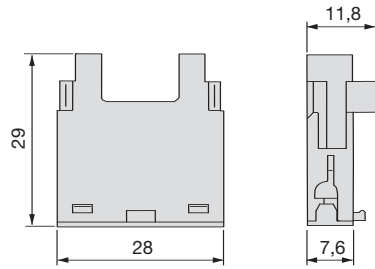
CONNECTIONS AND FIXINGS



UNIVAL® HOLDER



AMP	DESCRIPTION	MATERIAL		P/N BOX	M.O.Q.	P/N BULK	M.O.Q.
1	IN LINE FUSEHOLDER WITH TERMINALS	PA66		0100341	250	0300341	1000
2	IN LINE FUSEHOLDER WITHOUT TERMINALS	PA66				0300342	5000
3	QUICK LOCK FUSEHOLDER	PA66		0100334	25		



1+2

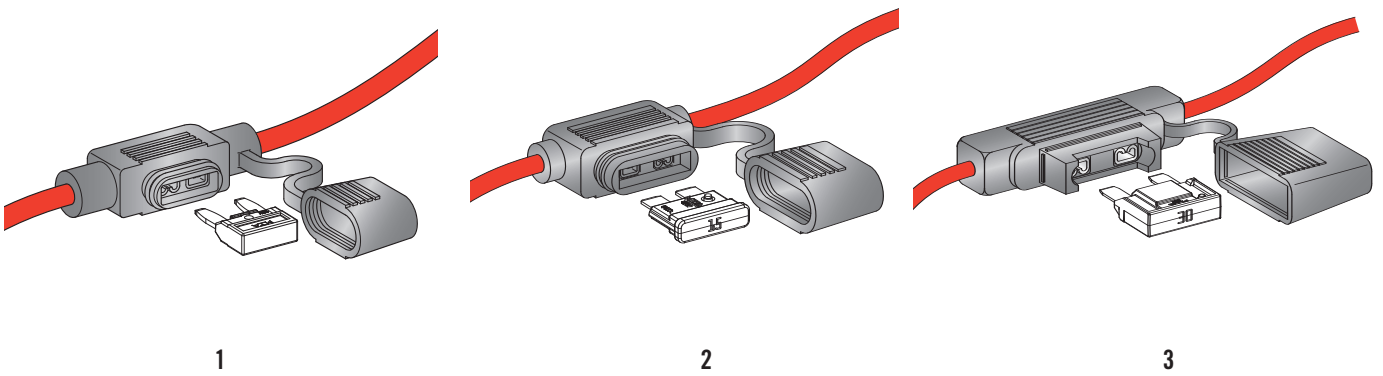
CONNECTIONS AND FIXINGS



FASTON F630 FLAG

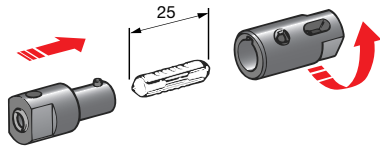
IMG	2
-----	---

WATERPROOF FUSE HOLDER

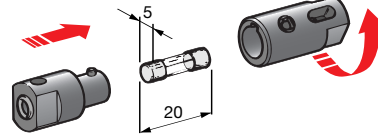


IMG	DESCRIPTION	P/N BOX	M.O.Q.	P/N BULK	M.O.Q.
1	WP MINIVAL FUSEHOLDER WITH CABLE 4mm ² L = 120 mm	0100335	5		
2	WP UNIVAL FUSEHOLDER WITH CABLE 4mm ² L = 120 mm	0100336	5	0300336	500
3	WP MAXIVAL FUSEHOLDER WITH CABLE 10mm ² L = 120 mm	0100337	1		

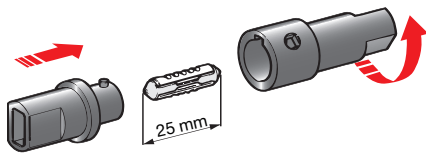
GLASS & CONTINENTAL FUSE HOLDER



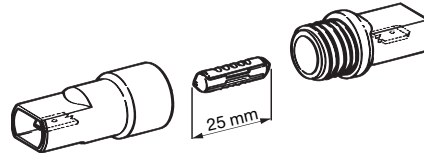
1



2

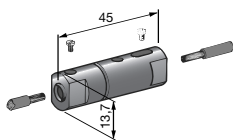


3

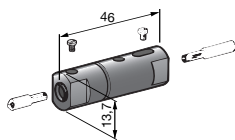


4

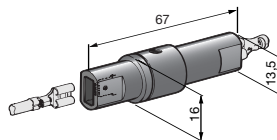
IMG	DESCRIPTION	COLOUR	CABLE	P/N BOX	M.O.Q.	P/N BULK	M.O.Q.
1	FUSEHOLDER WITH BLACK CONTINENTAL FUSE 8A	■Black	0.25÷2	0100300	25	0300300	1000
	FUSEHOLDER WITH GREEN CONTINENTAL FUSE 16A	■Black				0350002	1000
2	FUSEHOLDER WITH GLASS FUSE 2A - 5X20 mm	■Black	0.25÷2	0100306	25	0300306	1000
3	FUSEHOLDER WITH BLACK CONTINENTAL FUSE 8A	■Black	Male connection 6.3 mm	0100303	25		
	FUSEHOLDER WITHOUT CONTINENTAL FUSE	■Black	Male connection 6.3 mm			0300305	500
4	FUSEHOLDER WITH BLACK CONTINENTAL FUSE 8A	□White	Male connection 6.3 mm	0100304	25		



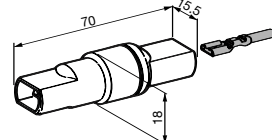
1



2

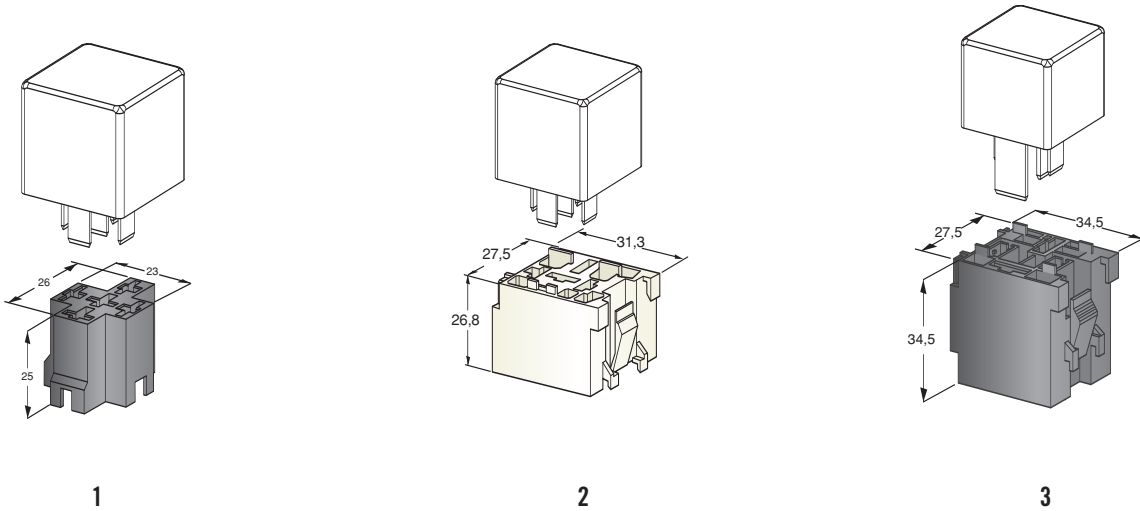


3



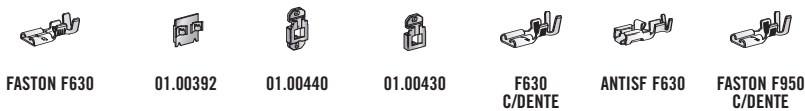
4

RELAY HOLDERS



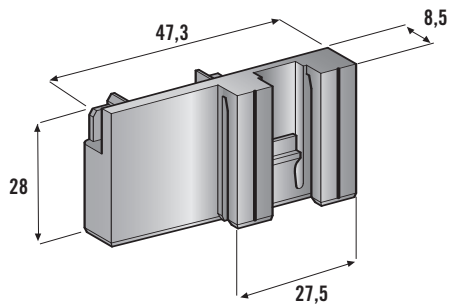
AMP	DESCRIPTION	MATERIAL	COLOUR	P/N BOX	M.O.Q.	P/N BULK	M.O.Q.
1	MINI RELAY HOLDER	PA	■ Black	4410246	50		
2	MINI RELAY HOLDER	PA	□ Neutral	4410245	50	4510245	500
	KIT HOLDER + TERMINALS + FIXING PLATE			3050135	1		
3	MAXI RELAY HOLDER	PA	■ Black	4410247	50	4510247	250
	KIT HOLDER + TERMINALS + FIXING PLATE			3050136	1		

CONNECTIONS AND FIXINGS

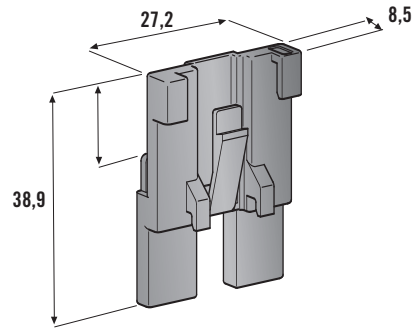


IMG	1	2+3	2+3	2+3	2	3	3

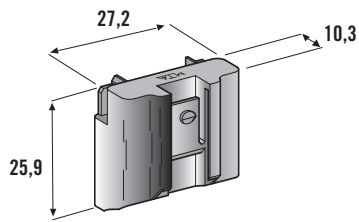
ADAPTERS



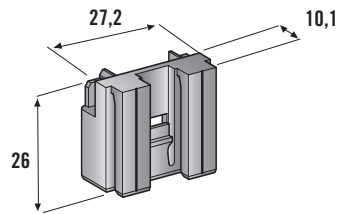
1



2



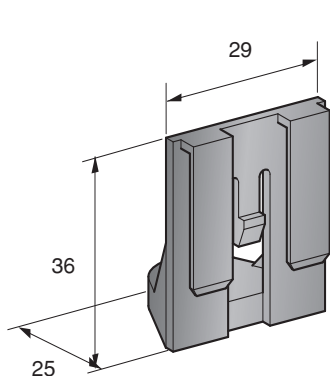
3



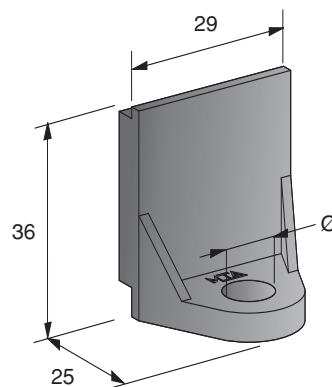
4

IMG	DESCRIPTION	MATERIAL	COLOUR		P/N BULK	M.O.Q.
1	ADAPTER	PA66 GF25	■Black		0300851	1000
2	ADAPTER	PA66 GF25	■Black		0300856	1500
3	ADAPTER	PA66 GF25	■Black		0300848	400
4	ADAPTER	PA66 GF25	■Black		0300949	1500

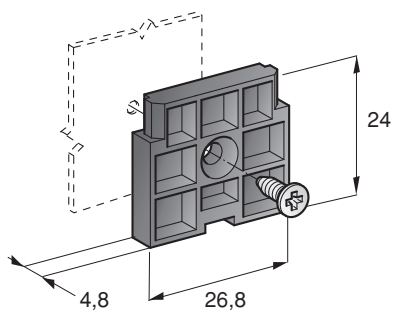
FIXING PLATES



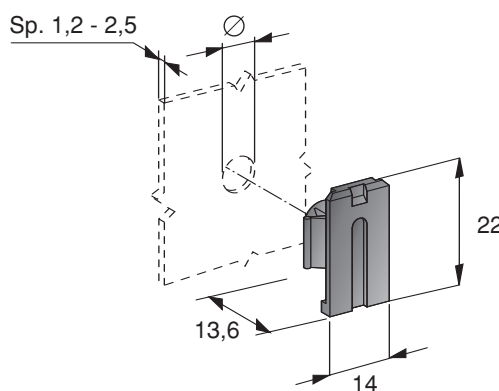
1



2



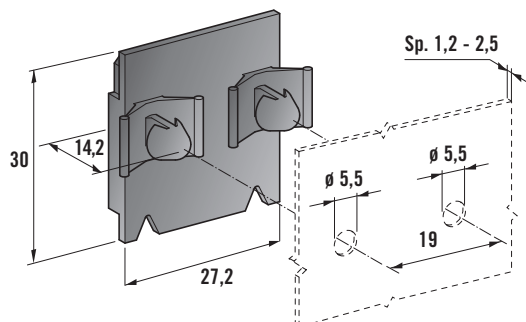
3



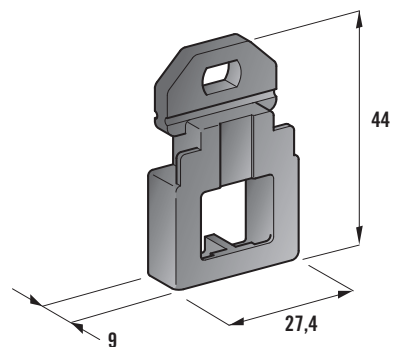
4

IMG	DESCRIPTION	Ø mm	MATERIAL	COLOUR	P/N BOX	M.O.Q.	P/N BULK	M.O.Q.
1	MOUNTING BRACKET MALE	8,5	PA66	■Black			0300690	100
2	MOUNTING BRACKET FEMALE	8,5	PA66	■Black			0300691	100
3	FIXING PLATE WITH 1 SCREW	3,6	PP GF30	■Black	0100352	250	0300352	1000
4	FIXING PLATE BY PRESSURE	6,5	PA66	■Black			0300395	1000
	FIXING PLATE BY PRESSURE	8,0	PA66	■Black			0300398	1000

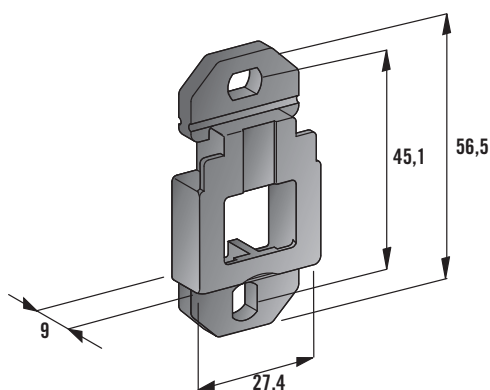
FIXING PLATES



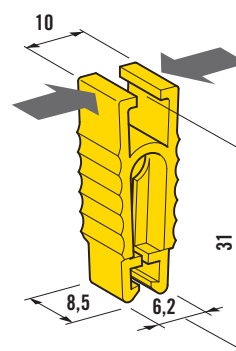
1



2



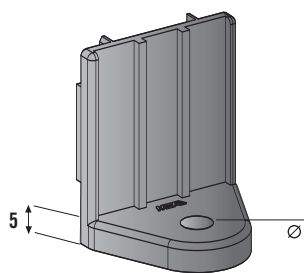
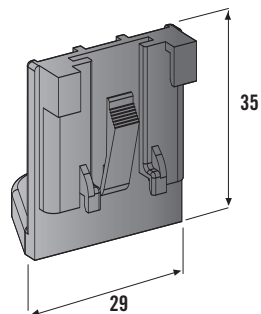
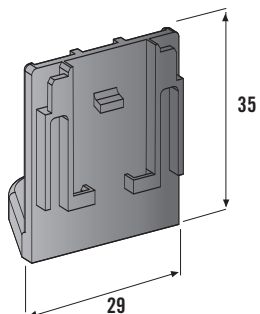
3



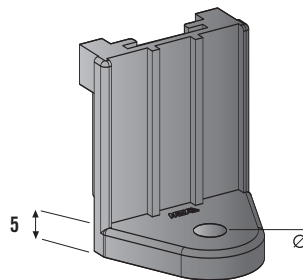
4

IMG	DESCRIPTION	SCREW ∅ mm	MATERIAL	COLOUR	P/N BOX	M.O.Q.	P/N BULK	M.O.Q.
1	FIXING PLATE	5,5	PA66	■ Black	0100392	100	0300392	1000
2	FIXING PLATE	M 5	PA66	■ Black	0100430	100	0300430	1000
3	FIXING PLATE	M 5	PA66	■ Black	0100440	100	0300440	250
4	EXTRACTOR FOR BLADE FUSE		PP	■ Yellow	0100358	250	0300358	3000

FIXING PLATES



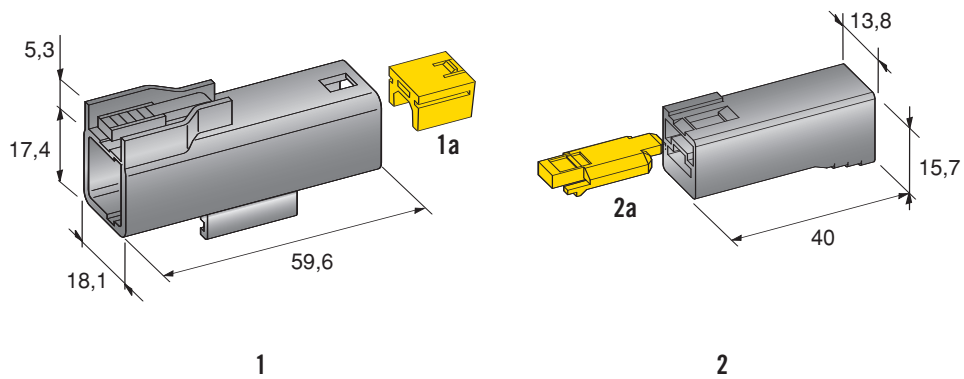
1



2

IMG	DESCRIPTION	∅ mm	MATERIAL	COLOUR		P/N BULK	M.O.Q.
1	MOUNTING BRACKET MALE	5,5	PA66	■ Black		0300697	100
2	MOUNTING BRACKET FEMALE	5,5	PA66	■ Black		0300698	100

1-WAY POWER



IMG	DESCRIPTION	WAY	MATERIAL	COLOUR	P/N BOX WITH S. LOCK	M.O.Q.	P/N BULK	M.O.Q.
1	MALE HOLDER	1	PA66 GF25	Black	4440200	20	4540205	1200
2	FEMALE HOLDER	1	PA66 GF25	Black	4440100	20	4540105	2400
	FEMALE HOLDER POLARIZED	1	PA66 GF30	Blue			4540145	2400
	FEMALE HOLDER POLARIZED	1	PA66 GF30	Grey			4540135	2400
1a	SECONDARY LOCK	1	PA66	Yellow			4545200	2400
2a	SECONDARY LOCK	1	PA66	Yellow			4545100	4800

CONNECTIONS AND FIXINGS



M800



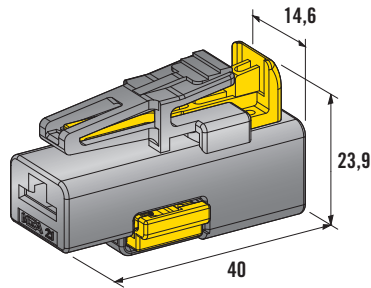
F800



0300395
0300398

IMG	1	2	1
-----	---	---	---

1-WAY POWER



1

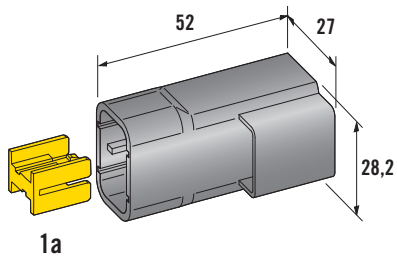
IMG	DESCRIPTION	WAY	MATERIAL	COLOUR	P/N BULK	M.O.Q.
1	FEMALE HOLDER WITH SECONDARY LOCK AND CPA	1	PA66 GF30	■ Black	4540150	700

CONNECTIONS AND FIXINGS

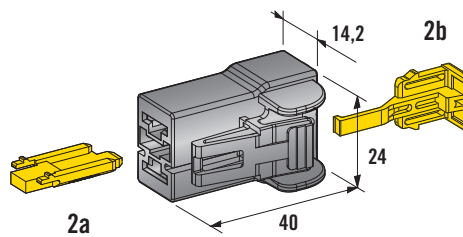


F800

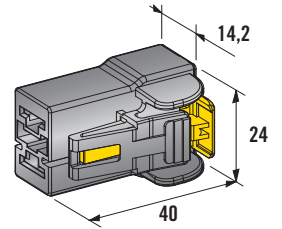
2-WAY POWER



1



2



3

IMG	DESCRIPTION	WAY	MATERIAL	COLOUR	P/N BOX WITH S. LOCK	M.O.Q.	P/N BULK	M.O.Q.
1	MALE HOLDER	2	PA66 GF30	■ Black	4440400	10	4540405	1200
2	FEMALE HOLDER	2	PA66 GF30	■ Black	4440300	10	4540305	1200
3	FEMALE HOLDER WITH CPA	2	PA66 GF30	■ Black			4540302	1200
1a	SECONDARY LOCK		PA66 GF30	■ Yellow			4545400	1200
2a	SECONDARY LOCK		PA66	■ Yellow			4545100	4800
2b	CPA		PA66 GF30	■ Yellow			4545300	2400

CONNECTIONS AND FIXINGS



M800



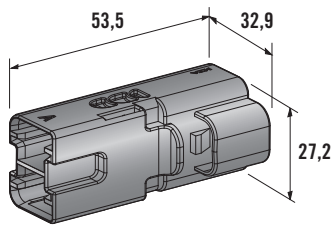
F800



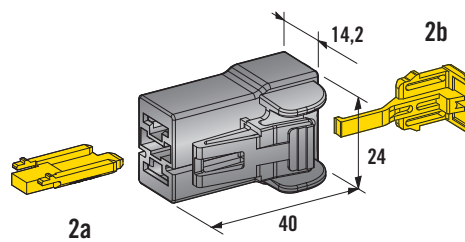
0300395
0300398

IMG	1	2+3	1
-----	---	-----	---

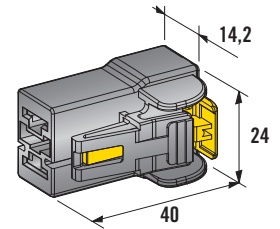
2-WAY POWER



1



2



3

IMG	DESCRIPTION	WAY	MATERIAL	COLOUR	P/N BOX WITH S. LOCK	M.O.Q.	P/N BULK	M.O.Q.
1	MALE HOLDER POLARIZED	2	PA66 GF30	Blue			4540410	1200
	MALE HOLDER POLARIZED	2	PA66 GF30	Grey			4540420	1200
	MALE HOLDER POLARIZED	2	PA66 GF30	Green			4540430	1000
2	FEMALE HOLDER POLARIZED	2	PA66 GF30	Blue	4440310	10	4540315	1200
	FEMALE HOLDER POLARIZED	2	PA66 GF30	Grey	4440340	10	4540345	1200
	FEMALE HOLDER POLARIZED	2	PA66 GF30	Green			4540325	1200
	FEMALE HOLDER POLARIZED	2	PA66 GF30	Brown			4540335	1200
3	FEMALE HOLDER POLARIZED WITH CPA	2	PA66 GF30	Blue			4540312	1200
2a	SECONDARY LOCK	-	PA66	Yellow			4545100	4800
2b	CPA	-	PA66 GF30	Yellow			4545300	2400

CONNECTIONS AND FIXINGS



M800



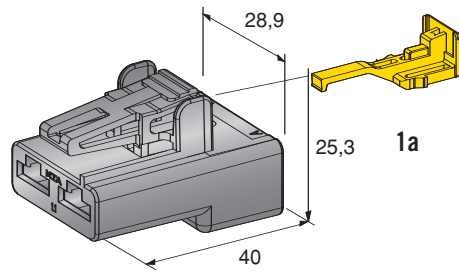
F800



0300395
0300398

IMG	1	2+3	1
-----	---	-----	---

2-WAY POWER



1

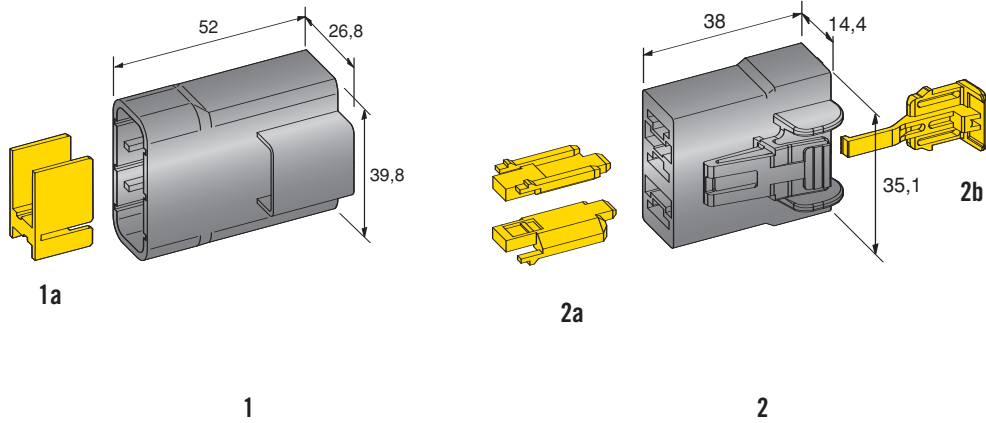
IMG	DESCRIPTION	WAY	MATERIAL	COLOUR		P/N BULK	M.O.Q.
1	FEMALE HOLDER POLARIZED	2	PA66 GF13	Blue		4540500	600
	FEMALE HOLDER POLARIZED	2	PA66 GF13	Green		4540501	600
1a	CPA		PA66 GF30	Yellow		4545300	2400

CONNECTIONS AND FIXINGS



F800

3-WAY POWER



IMG	DESCRIPTION	WAY	MATERIAL	COLOUR	P/N BOX WITH S. LOCK	M.O.Q.	P/N BULK	M.O.Q.
1	MALE HOLDER	3	PA66 GF25	Black	4440800	10	4540805	1200
	MALE HOLDER POLARIZED	3	PA66 GF25	Blue			4540815	700
2	FEMALE HOLDER	3	PA66 GF30	Black	4440700	10	4540705	1200
	FEMALE HOLDER POLARIZED	3	PA66 GF30	Blue			4540715	1200
	FEMALE HOLDER POLARIZED	3	PA66 GF30	Grey			4540735	1200
1a	SECONDARY LOCK		PA66 GF30	Yellow			4545800	1200
2a	SECONDARY LOCK		PA66	Yellow			4545100	4800
2b	CPA		PA66 GF30	Yellow			4545300	2400

CONNECTIONS AND FIXINGS



M800



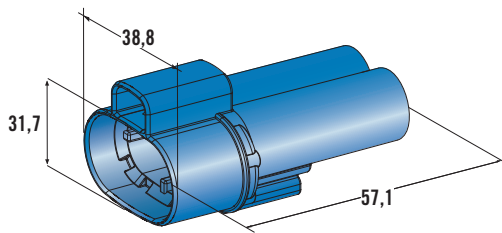
F800



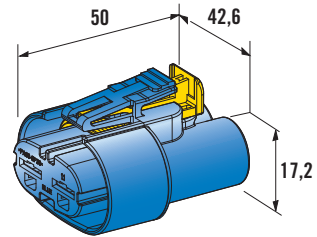
0300395
0300398

IMG	1	2	1
-----	---	---	---

2-WAY POWER WATER PROOF



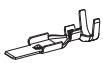
1



2

IMG	DESCRIPTION	WAY	MATERIAL	COLOUR		P/N BULK	M.O.Q.
1	MALE HOLDER	2	PA66 GF30	Blue		4540210	600
	MALE HOLDER	2	PA66 GF30	Green		4540211	700
	MALE HOLDER	2	PA66 GF30	Black		4540212	600
	MALE HOLDER	2	PA66 GF30	Grey		4540213	600
2	FEMALE HOLDER WITH GASKET	2	PA66 GF30	Blue		4540110	600
	FEMALE HOLDER WITH GASKET	2	PA66 GF30	Green		4540111	600
	FEMALE HOLDER WITH GASKET	2	PA66 GF30	Black		4540112	600
	FEMALE HOLDER WITH GASKET	2	PA66 GF30	Grey		4540113	600

CONNECTIONS AND FIXINGS



WP M 800



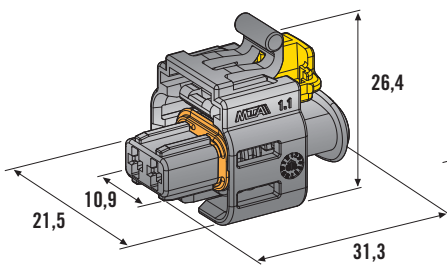
WP M F800



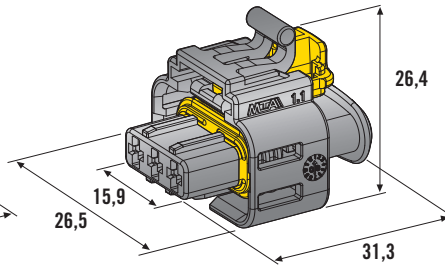
0300395
0300398

IMG	1	2	1
-----	---	---	---

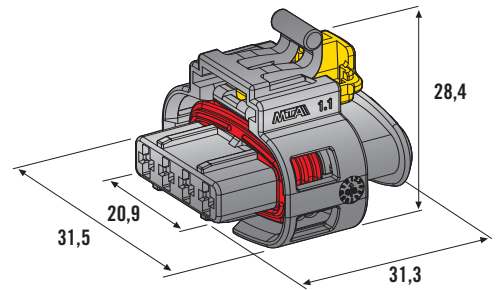
HP6 2, 3 & 4-WAY



1



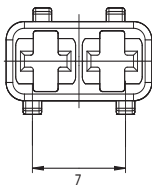
2



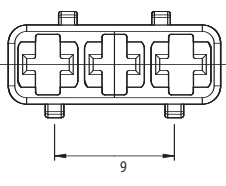
3

IMG	DESCRIPTION	WAY	MATERIAL	COLOUR		P/N BULK	M.O.Q.
1	FEMALE HOLDER	2	PA66 GF30	■ Black		4510840	2500
2	FEMALE HOLDER CODE I	3	PA66 GF30	■ Black		4510881	2500
	FEMALE HOLDER CODE II	3	PA66 GF30	■ Black		4510880	2500
3	FEMALE HOLDER CODE I	4	PA66 GF30	■ Black		4510891	2500
	FEMALE HOLDER CODE II	4	PA66 GF30	■ Black		4510890	2500

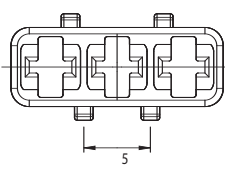
1



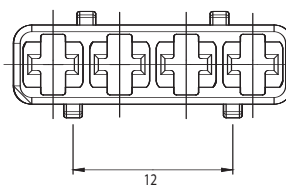
2 CODE I



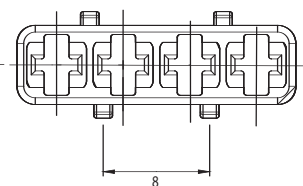
2 CODE II



3 CODE I



3 CODE II



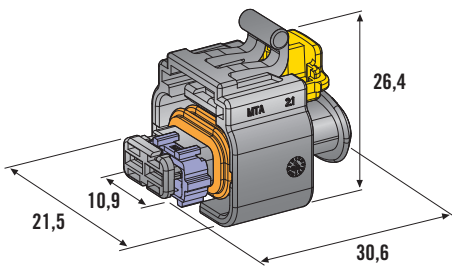
CONNECTIONS AND FIXINGS



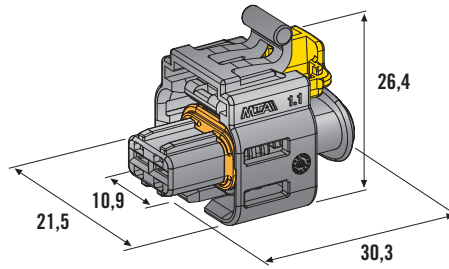
HP6 280

IMG	1+2+3
-----	-------

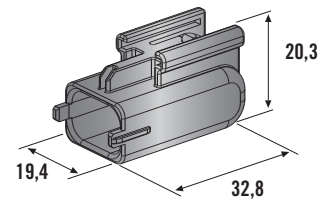
C 280 2-WAY



1

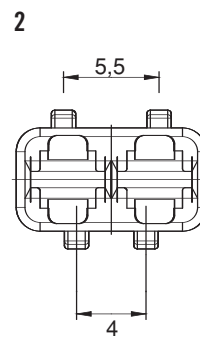
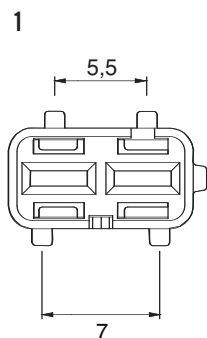


2

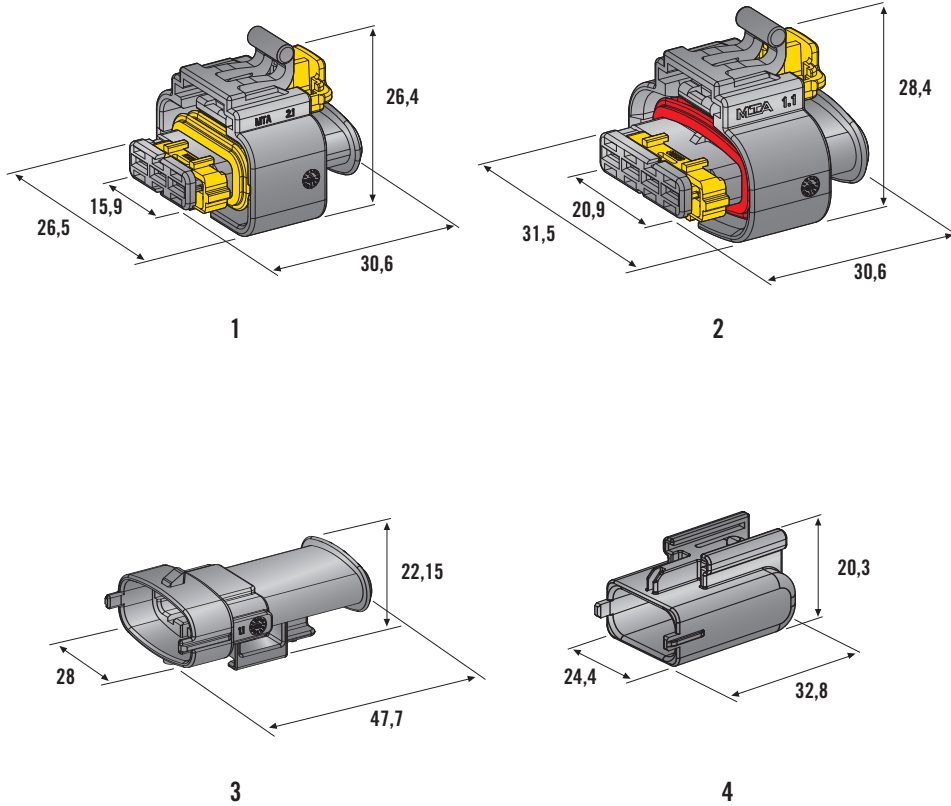


3

IMG	DESCRIPTION	WAY	MATERIAL	COLOUR	S. LOCK COLOUR	P/N BOX	M.O.Q.	P/N BULK	M.O.Q.
1	F. HOLDER FOR BDK & BSK TERMINALS	2	PA66 GF30	■Black	■Violet	4410801	250	4510801	2500
2	F. HOLDER FOR JPT TERMINALS	2	PA66 GF30	■Black		4410830	250	4510830	2500
3	CAP FOR CONNECTORS 4510801/830	2	PA66 GF30	■Black				4510802	3000

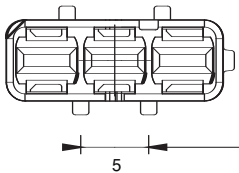


C 280 3&4-WAY

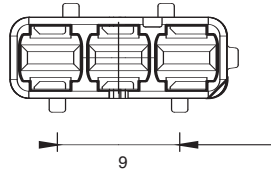


IMG	DESCRIPTION	WAY	MATERIAL	COLOUR	S. LOCK COLOUR	P/N BOX	M.O.Q.	P/N BULK	M.O.Q.
1	F. HOLDER FOR BDK & BSK TERMINALS	3	PA66 GF30	■ Black	■ Yellow	4410810	250	4510810	2500
	F. HOLDER FOR BDK & BSK TERMINALS	3	PA66 GF30	■ Black	■ Violet	4410811	250	4510811	2500
2	F. HOLDER FOR BDK & BSK TERMINALS	4	PA66 GF30	■ Black	■ Yellow	4410820	250	4510820	2500
	F. HOLDER FOR BDK & BSK TERMINALS	4	PA66 GF30	■ Black	■ Violet	4410821	250	4510821	2500
3	MALE HOLDER FOR 4510821	4	PA66 GF30	■ Black		4410921	250	4510921	2000
4	CAP FOR CONNECTORS 4510810/811	3	PA66 GF30	■ Black				4510812	2800

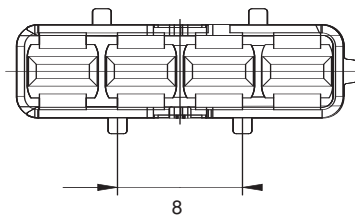
1 YELLOW



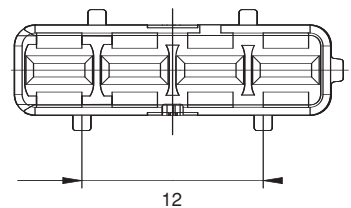
1 VIOLET



2 YELLOW



2 VIOLET



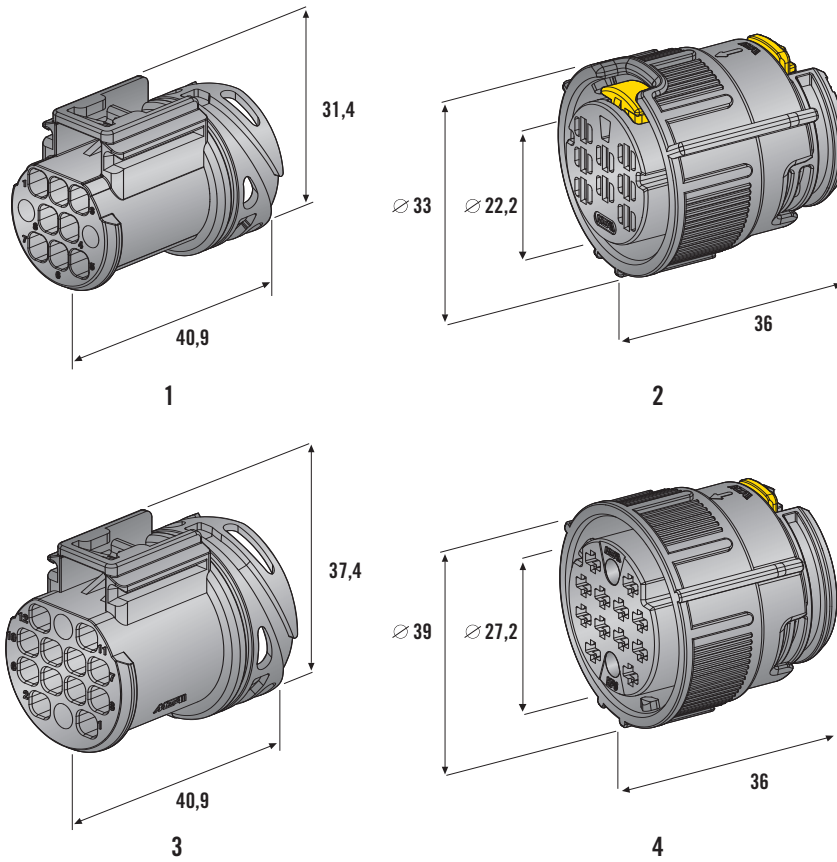
CONNECTIONS AND FIXINGS



0300489

IMG	3
-----	---

RC 280 8 & 12-WAY



IMG	DESCRIPTION	WAY	MATERIAL	COLOUR	P/N	M.O.Q.	P/N	M.O.Q.
1	MALE HOLDER FOR TABS 2,8 x 0,8	8	PA66 GF30	■Black	4410970	250	4510970	500
2	FEMALE HOLDER FOR BDK & BSK TERMINALS	8	PA66 GF30	■Black	4410870	250	4510870	120
3	MALE HOLDER FOR TABS 2,8 x 0,8	12	PA66 GF30	■Black			4510975	350
4	FEMALE HOLDER FOR HP6 TERMINALS	12	PA66 GF30	■Black			4510875	350

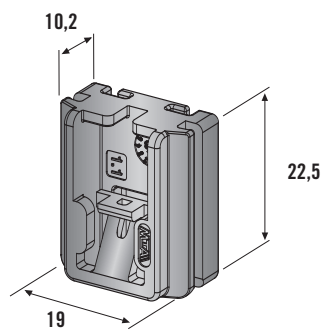
CONNECTIONS AND FIXINGS



HP6 280

IMG	4
-----	---

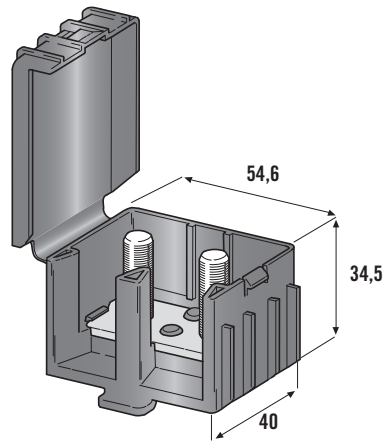
ADAPTER



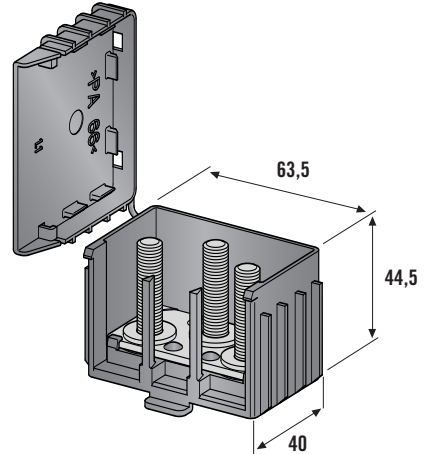
1

IMG	DESCRIPTION	MATERIAL	COLOUR		P/N BULK	M.O.Q.
1	ADAPTER FOR 4510921	PA66 GF30	■ Black		0300489	2500

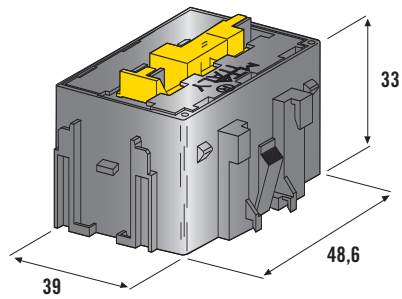
JOINT



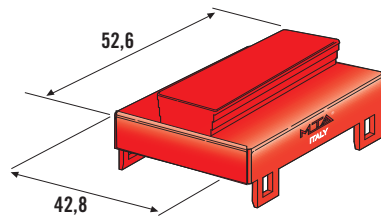
1



2



3



4

IMG	DESCRIPTION	WAY	MATERIAL	COLOUR	P/N BOX	M.O.Q.	P/N BULK	M.O.Q.
1	BRANCH KNOT M 88	2	PA66	■ Black	4441100	1	4541100	100
2	BRANCH KNOT M 888	3	PA66	■ Black	4441200	1	4541200	130
3	HOUSING WITH TERMINALS	6	PA66 GF25	■ Black			4540601	400
4	COVER FOR HOUSING 6 WAY		PA66	■ Red			4540602	200
	KIT HOUSING 6 WAY+ COVER				4440600	1		

CONNECTIONS AND FIXINGS



0300392



0300430



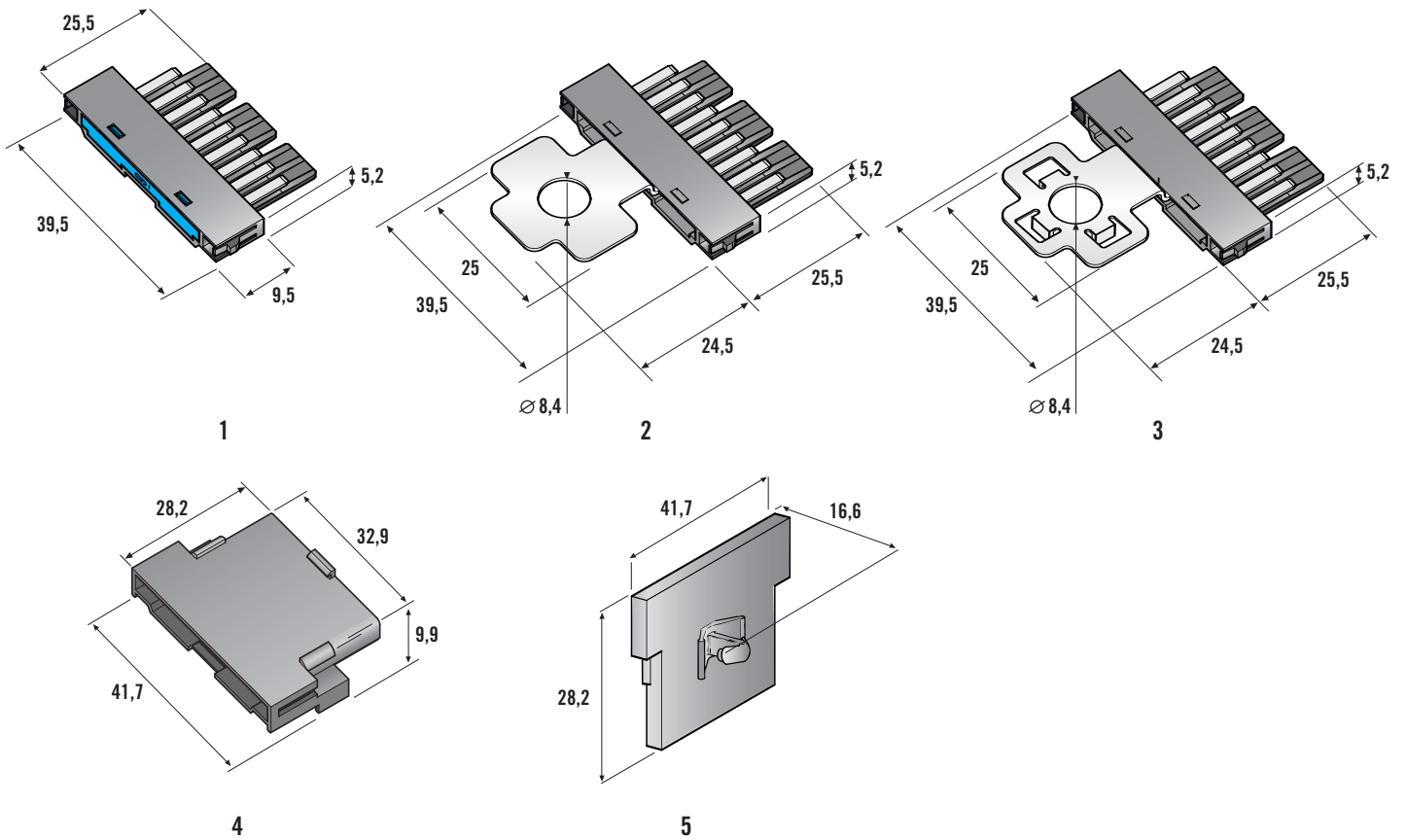
0300440



4540105

IMG	3	3	3	3
-----	---	---	---	---

JOINT 9-WAY



IMG	DESCRIPTION	WAY	MATERIAL	COLOUR	COVER COLOUR	P/N BOX	M.O.Q.	P/N BULK	M.O.Q.
1	MALE HOLDER	9	PA66 GF13	Black	Blue	4410610	10	4551610	2500
	MALE HOLDER	6+3	PA66 GF13	Black	Yellow	4410611	10	4551611	2500
	MALE HOLDER	5+4	PA66 GF13	Black	Red			4551612	2500
	MALE HOLDER	3+3+3	PA66 GF13	Black	Green			4551613	2500
2	EARTH MALE HOLDER	9	PA66 GF13	Black		4410614	10	4551614	2000
3	EARTH MALE HOLDER TCK 12S	9	PA66 GF13	Black				4551615	2000
4	FEMALE HOLDER	9	PBT	Black		4410605	10	4551605	2500
	FEMALE HOLDER	9	PBT	Blue				4551606	2500
	FEMALE HOLDER	9	PBT	Green				4551607	2500
5	FIXING PLATE		PA66	Black				0300397	1000

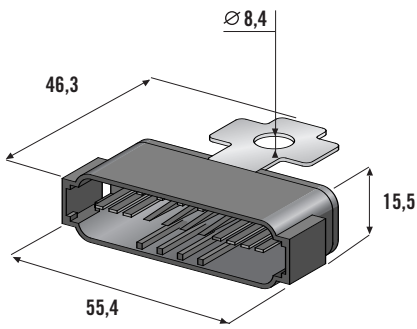
CONNECTIONS AND FIXINGS



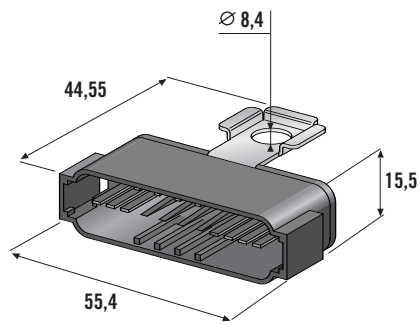
070 SERIES

IMG	4
-----	---

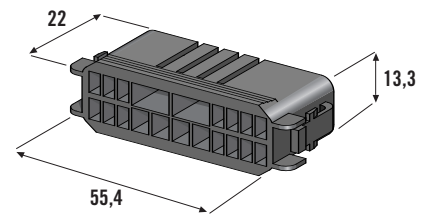
JOINT 18-WAY



1



2



3

IMG	DESCRIPTION	WAY	MATERIAL	COLOUR	P/N BOX	M.O.Q.	P/N BULK	M.O.Q.
1	EARTH MALE HOLDER	18	PA66 GF30	■ Black	4410125	1	4510125	1000
2	EARTH MALE HOLDER TCK 12S	18	PA66 GF30	■ Black			4510135	1000
3	FEMALE HOLDER	18	PA66 GF30	■ Black	4410120	1	4510120	1500

CONNECTIONS AND FIXINGS



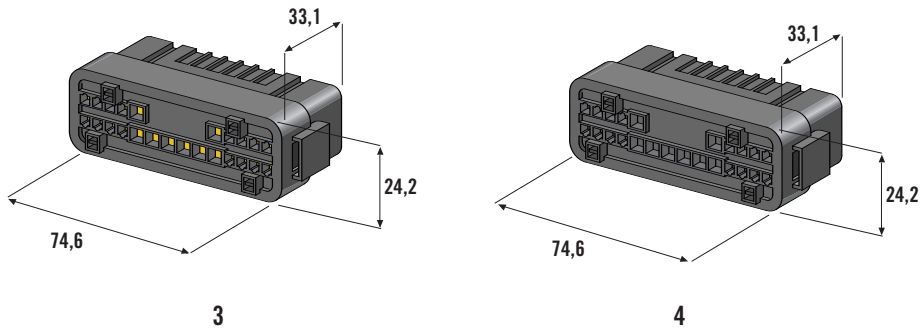
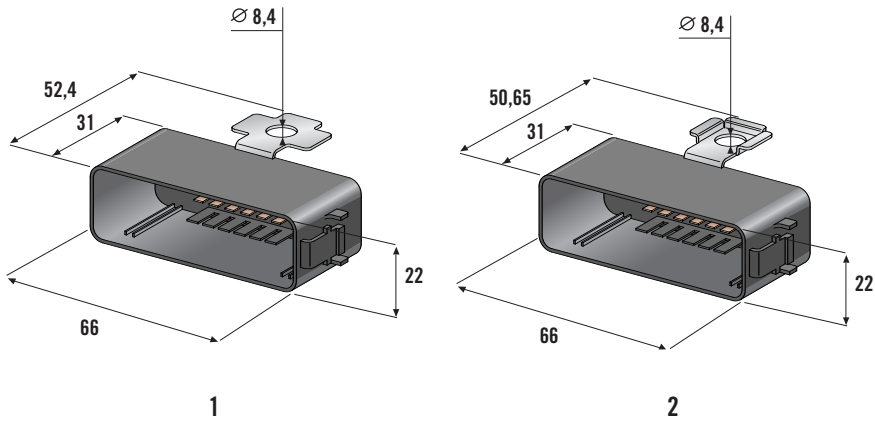
JPT



070 NG SERIES

IMG	3	3
-----	---	---

JOINT 24-WAY



IMG	DESCRIPTION	WAY	MATERIAL	COLOUR		P/N	M.O.Q.
1	EARTH MALE HOLDER W.P.	24	PA66 GF30	■ Black		4510115	600
2	EARTH MALE HOLDER TCK 12S	24	PA66 GF30	■ Black		4510130	600
3	FEMALE HOLDER W.P.	24	PA66 GF30	■ Black		4510110	600
4	FEMALE HOLDER	24	PA66 GF30	■ Black		4510145	600

CONNECTIONS AND FIXINGS



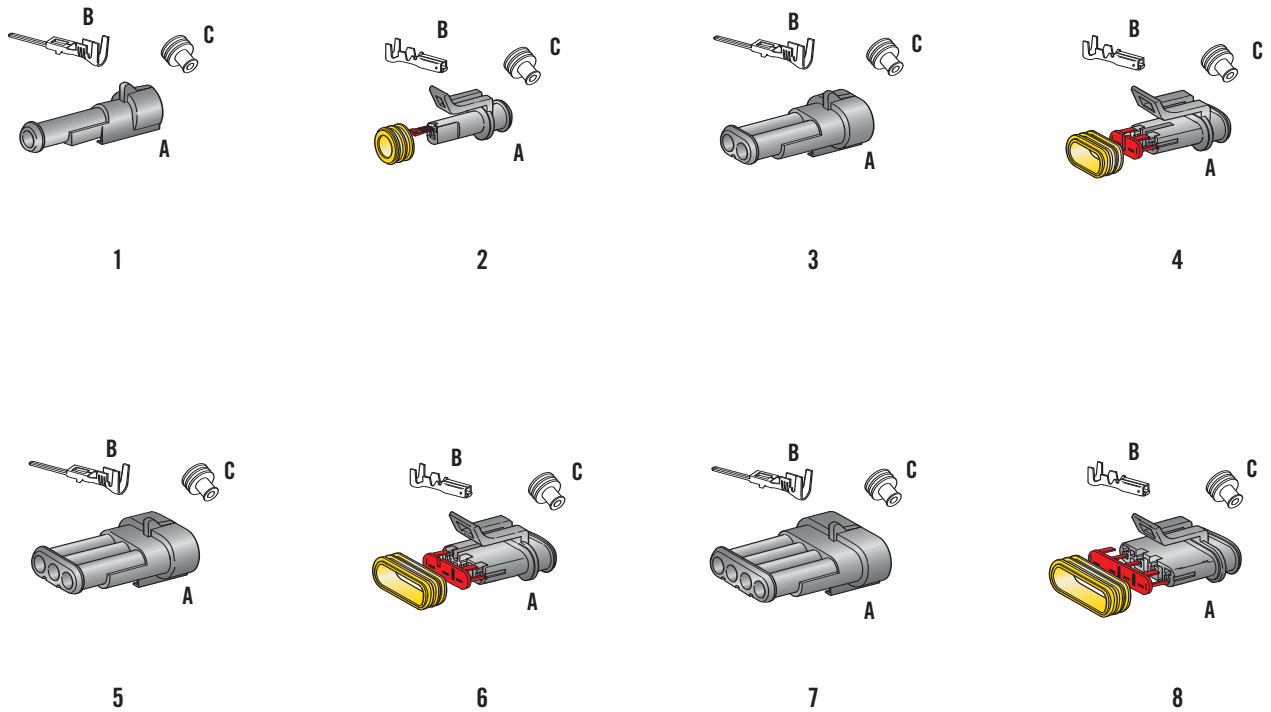
SICMA



CARALARM

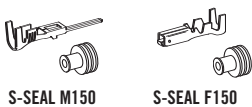
IMG	3+4	3+4
-----	-----	-----

SUPERSEAL 1,5



IMG	DESCRIPTION	WAY	MATERIAL	COLOUR	P/N BOX	M.O.Q.
1	S-SEAL 1,5 MALE HOLDER	1	PA 66	■ Black	4423610	10
	KIT A+B+C	1	PA 66		3050123	1
2	S-SEAL 1,5 FEMALE HOLDER	1	PA 66	■ Black	4423620	10
	KIT A+B+C	1	PA 66		3050124	1
3	S-SEAL 1,5 MALE HOLDER	2	PA 66	■ Black	4423630	10
	KIT A+B+C	2	PA 66		3050125	1
4	S-SEAL 1,5 FEMALE HOLDER	2	PA 66	■ Black	4423640	10
	KIT A+B+C	2	PA 66		3050126	1
5	S-SEAL 1,5 MALE HOLDER	3	PA 66	■ Black	4423650	10
	KIT A+B+C	3	PA 66		3050127	1
6	S-SEAL 1,5 FEMALE HOLDER	3	PA 66	■ Black	4423660	10
	KIT A+B+C	3	PA 66		3050128	1
7	S-SEAL 1,5 MALE HOLDER	4	PA 66	■ Black	4423670	10
	KIT A+B+C	4	PA 66		3050129	1
8	S-SEAL 1,5 FEMALE HOLDER	4	PA 66	■ Black	4423680	10
	KIT A+B+C	4	PA 66		3050130	1

CONNECTIONS AND FIXINGS

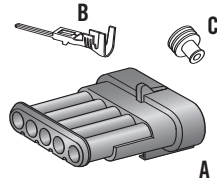


S-SEAL M150

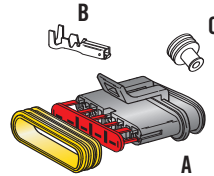
S-SEAL F150

IMG	1+3+5+7	2+4+6+8
-----	---------	---------

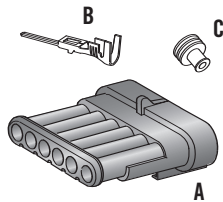
SUPERSEAL 1,5



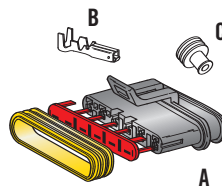
1



2



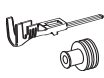
3



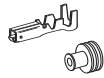
4

IMG	DESCRIPTION	WAY	MATERIAL	COLOUR	P/N BOX	M.O.Q.
1	S-SEAL 1,5 MALE HOLDER	5	PA 66	■ Black	4423690	10
	KIT A+B+C	5	PA 66		3050131	1
2	S-SEAL 1,5 FEMALE HOLDER	5	PA 66	■ Black	4423700	10
	KIT A+B+C	5	PA 66		3050132	1
3	S-SEAL 1,5 MALE HOLDER	6	PA 66	■ Black	4423710	10
	KIT A+B+C	6	PA 66		3050133	1
4	S-SEAL 1,5 FEMALE HOLDER	6	PA 66	■ Black	4423720	10
	KIT A+B+C	6	PA 66		3050134	1

CONNECTIONS AND FIXINGS



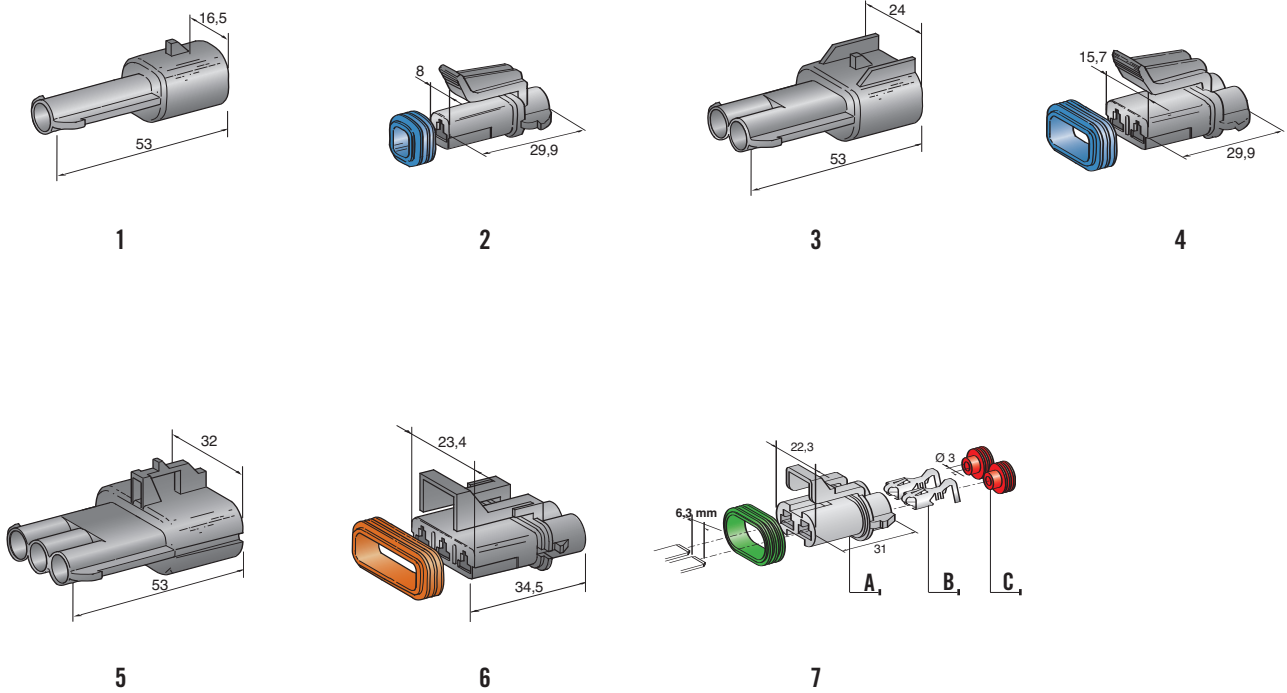
S-SEAL M150



S-SEAL F150

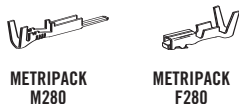
IMG	1+3	2+4
-----	-----	-----

SEAL 2,8 & 6,3



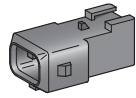
IMG	DESCRIPTION	WAY	MATERIAL	COLOUR	P/N BOX	M.O.Q.
1	SEAL 2,8 MALE HOLDER	1	PA 66	■ Black	4423520	5
2	SEAL 2,8 FEMALE HOLDER	1	PA 66	■ Black	4423510	5
3	SEAL 2,8 MALE HOLDER	2	PA 66	■ Black	4423540	5
4	SEAL 2,8 FEMALE HOLDER	2	PA 66	■ Black	4423530	5
5	SEAL 2,8 MALE HOLDER	3	PA 66	■ Black	4423560	5
6	SEAL 2,8 FEMALE HOLDER	3	PA 66	■ Black	4423550	5
7	KIT SEAL 6,3 FEMALE HOLDER WITH TERMINALS AND GASKET	2	PA 66	■ Grey	4433800	1

CONNECTIONS AND FIXINGS

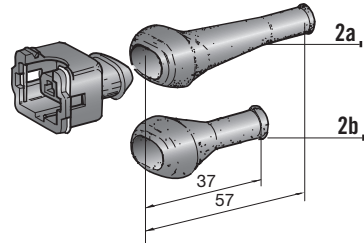


IMG	1+3+5	2+4+6
-----	-------	-------

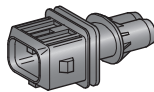
J.T. & J.P.T.



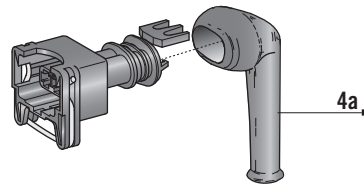
1



2



3



4

IMG	DESCRIPTION	WAY	MATERIAL	COLOUR	P/N BOX	M.O.Q.	P/N BULK	M.O.Q.
1	CONNECTOR JT	2	PA	■ Black	4410660	10		
2	CONNECTOR JT	2	PA	■ Black	4420900	10	4520900	500
2a	COVER		RUBBER	■ Black	4420901	10	4520901	500
2b	COVER		RUBBER	■ Black	4420902	10	4520902	500
3	CONNECTOR JPT	2	PA	■ Black	4410661	10		
4	CONNECTOR JPT	2	PA	■ Black	4420910	10	4520910	500
	CONNECTOR JPT	2	PA	■ Yellow	4410652	10		
4a	COVER		RUBBER	■ Black	4420911	10	4520911	500

CONNECTIONS AND FIXINGS



JT M280



JT F280



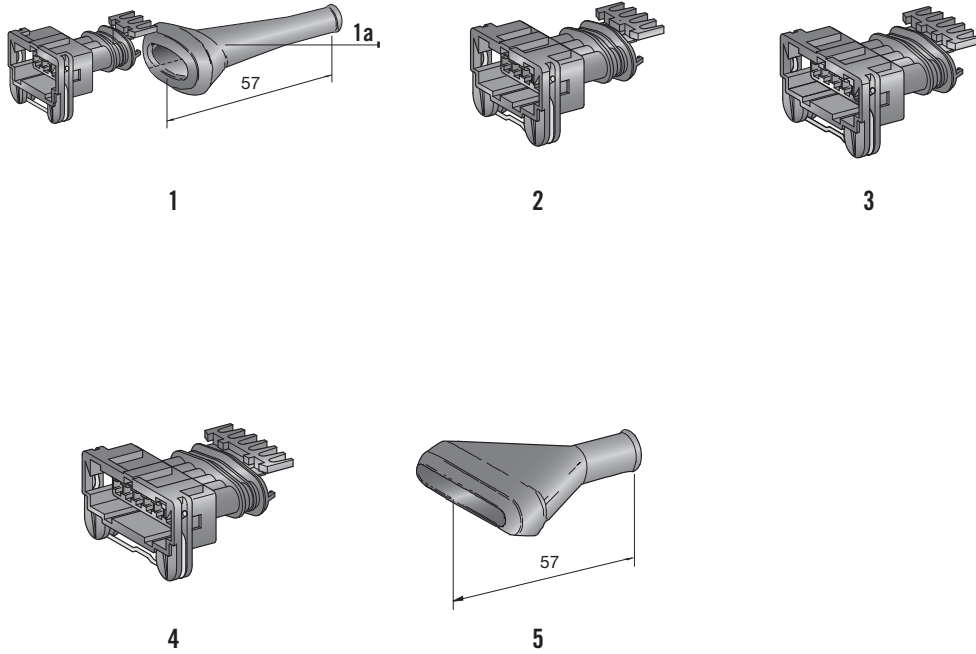
JPT WP F280



JPT WP F280

IMG	1	2	3	4
-----	---	---	---	---

J.T. & J.P.T.



IMG	DESCRIPTION	WAY	MATERIAL	COLOUR	P/N BOX	M.O.Q.	P/N BULK	M.O.Q.
1	CONNECTOR JPT	3	PA	■ Black	4420920	10		
1a	COVER		RUBBER	■ Black	4420921	10	4520921	500
2	CONNECTOR JPT	4	PA	■ Black	4410655	10		
3	CONNECTOR JPT	5	PA	■ Black	4410656	10		
4	CONNECTOR JPT	6	PA	■ Black	4410657	10		
5	COVER	7	RUBBER	■ Black	4420931	5	4520931	500

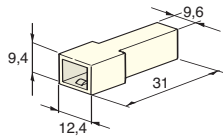
CONNECTIONS AND FIXINGS



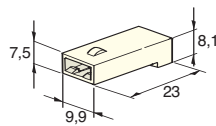
JPT WP F280

IMG	1+2-3+4
-----	---------

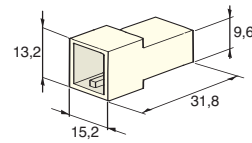
MULTIPLE 6,3



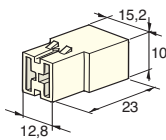
1



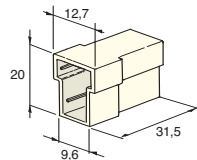
2



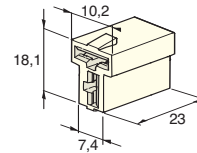
3



4



5



6

IMG	DESCRIPTION	WAY	MATERIAL	COLOUR	P/N BOX	M.O.Q.	P/N BULK	M.O.Q.
1	MALE HOLDER	1	PA	<input type="checkbox"/> Neutral	4410150	100	4510150	2500
2	FEMALE HOLDER	1	PA	<input type="checkbox"/> Neutral	4410160	100	4510160	2500
3	MALE HOLDER	2	PA	<input type="checkbox"/> Neutral	4410170	50	4510170	2500
4	FEMALE HOLDER	2	PA	<input type="checkbox"/> Neutral	4410180	50	4510180	2500
5	MALE HOLDER	2	PA	<input type="checkbox"/> Neutral	4410190	50	4510190	2500
6	FEMALE HOLDER	2	PA	<input type="checkbox"/> Neutral	4410200	50	4510200	2500

CONNECTIONS AND FIXINGS



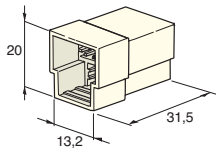
FASTON M630
C/DENTE



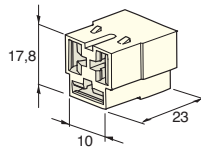
FASTON F630
C/DENTE

IMG	1+3+5	2+4+6
-----	-------	-------

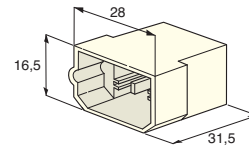
MULTIPLE 6,3



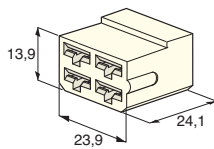
1



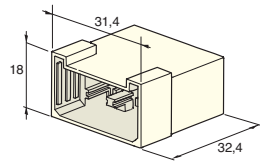
2



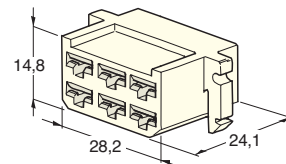
3



4



5



6

IMG	DESCRIPTION	WAY	MATERIAL	COLOUR	P/N BOX	M.O.Q.	P/N BULK	M.O.Q.
1	MALE HOLDER	3	PA	<input type="checkbox"/> Neutral	4410210	50	4510210	2500
2	FEMALE HOLDER	3	PA	<input type="checkbox"/> Neutral	4410220	50	4510220	2500
3	MALE HOLDER	4	PA	<input type="checkbox"/> Neutral	4410230	25	4510230	2500
4	FEMALE HOLDER	4	PA	<input type="checkbox"/> Neutral	4410240	25	4510240	2500
5	MALE HOLDER	6	PA	<input type="checkbox"/> Neutral	4410250	25	4510250	1000
6	FEMALE HOLDER	6	PA	<input type="checkbox"/> Neutral	4410260	25	4510260	1000

CONNECTIONS AND FIXINGS



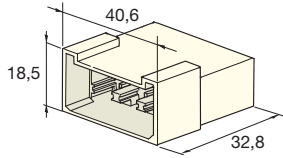
FASTON M630
C/DENTE



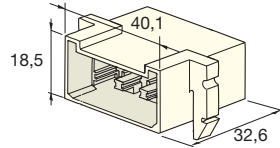
FASTON F630
C/DENTE

IMG	1+3+5	2+4+6
-----	-------	-------

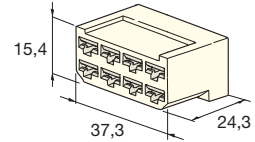
MULTIPLE 6,3



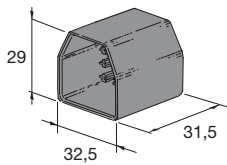
1



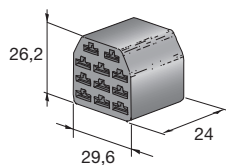
2



3



4



5

IMG	DESCRIPTION	WAY	MATERIAL	COLOUR	P/N BOX	M.O.Q.	P/N BULK	M.O.Q.
1	MALE HOLDER	8	PA	☐ Neutral	4410270	20	4510270	1000
2	MALE HOLDER	8	PA	☐ Neutral	4410290	10	4510290	1000
3	FEMALE HOLDER	8	PA	☐ Neutral	4410280	20	4510280	1000
4	MALE HOLDER	11	PA	■ Black	4410295	20	4510295	150
5	FEMALE HOLDER	11	PA	■ Black	4410296	20	4510296	250

CONNECTIONS AND FIXINGS



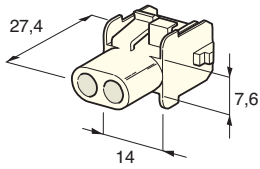
FASTON M630
C/DENTE



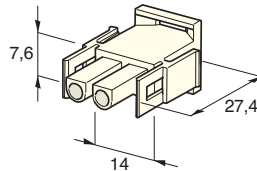
FASTON F630
C/DENTE

IMG	1+2+4	3+5
-----	-------	-----

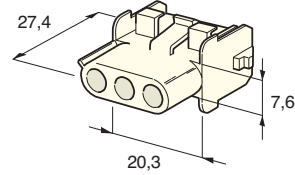
MATE-N-LOCK



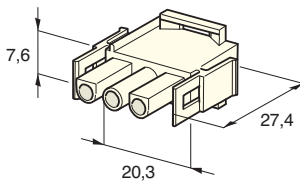
1



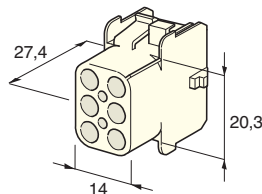
2



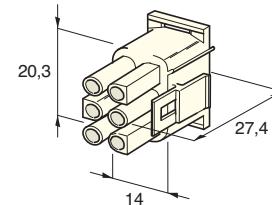
3



4



5



6

IMG	DESCRIPTION	WAY	MATERIAL	COLOUR		P/N BOX	M.O.Q.
1	MALE/FEMALE HOLDER	2	PA	<input type="checkbox"/> Neutral		4426040	10
2	MALE/FEMALE HOLDER	2	PA	<input type="checkbox"/> Neutral		4426030	10
3	MALE/FEMALE HOLDER	3	PA	<input type="checkbox"/> Neutral		4426060	10
4	MALE/FEMALE HOLDER	3	PA	<input type="checkbox"/> Neutral		4426050	10
5	MALE/FEMALE HOLDER	6	PA	<input type="checkbox"/> Neutral		4426120	10
6	MALE/FEMALE HOLDER	6	PA	<input type="checkbox"/> Neutral		4426110	10

CONNECTIONS AND FIXINGS



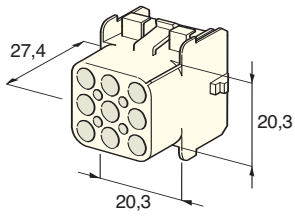
MATE-N-LOCK F2



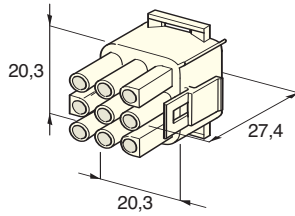
MATE-N-LOCK M2

IMG	1+2+3+4+5+6
-----	-------------

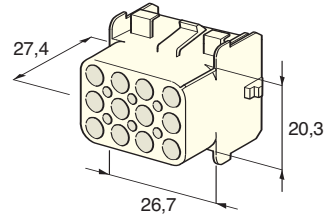
MATE-N-LOCK



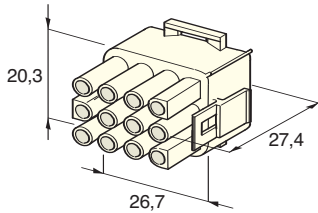
1



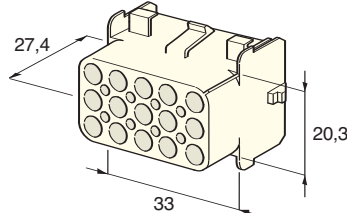
2



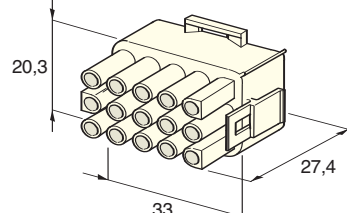
3



4



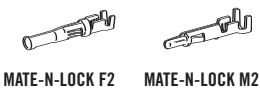
5



6

IMG	DESCRIPTION	WAY	MATERIAL	COLOUR		P/N BOX	M.O.Q.
1	MALE/FEMALE HOLDER	9	PA	<input type="checkbox"/> Neutral		4426140	10
2	MALE/FEMALE HOLDER	9	PA	<input type="checkbox"/> Neutral		4426130	10
3	MALE/FEMALE HOLDER	12	PA	<input type="checkbox"/> Neutral		4426160	10
4	MALE/FEMALE HOLDER	12	PA	<input type="checkbox"/> Neutral		4426150	10
5	MALE/FEMALE HOLDER	15	PA	<input type="checkbox"/> Neutral		4426180	10
6	MALE/FEMALE HOLDER	15	PA	<input type="checkbox"/> Neutral		4426170	10

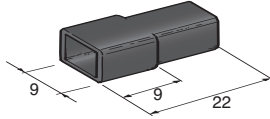
CONNECTIONS AND FIXINGS



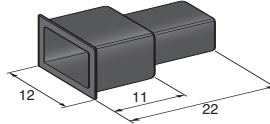
MATE-N-LOCK F2 MATE-N-LOCK M2

IMG	1+2+3+4+5+6
-----	-------------

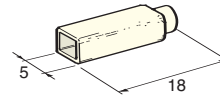
TERMINAL COVERS



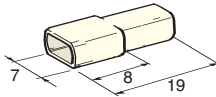
1



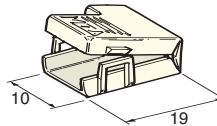
2



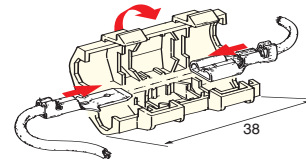
3



4



5



6

IMG	DESCRIPTION	MATERIAL	COLOUR	P/N BOX	M.O.Q.	P/N BULK	M.O.Q.
1	FEMALE 6,3 COVER	PE	■ Black	4410070	200	4510070	20000
	FEMALE 6,3 COVER	PE	■ Yellow	4410072	200		
	FEMALE 6,3 COVER	PE	■ Blue	4410073	200	4510073	20000
	FEMALE 6,3 COVER	PE	■ Red	4410074	200	4510074	20000
	FEMALE 6,3 COVER	PE	□ Neutral	4410076	200	4510076	20000
2	MALE 6,3 COVER	PE	■ Black	4410080	200	4510080	20000
	MALE 6,3 COVER	PE	■ Blue	4410081	200	4510081	20000
	MALE 6,3 COVER	PE	■ Yellow	4410082	200		
	MALE 6,3 COVER	PE	■ Red	4410084	200		
	MALE 6,3 COVER	PE	□ Neutral	4410086	200	4510086	20000
3	FEMALE 2,8 COVER	PE	□ Neutral	4410065	200		
4	FEMALE 4,8 COVER	PE	□ Neutral	4410068	200		
5	FLAG 6,3 COVER	PA	□ Neutral	4410060	200		
6	FASTON 6,3 COVER	PA	□ Neutral	4410083	50		

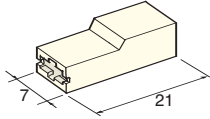
CONNECTIONS AND FIXINGS



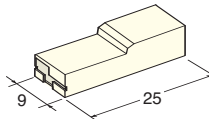
FASTON F630 FASTON M630 FASTON F280 FASTON F480 FASTON F630 FLAG

IMG	1+6	2+6	3	4	5
-----	-----	-----	---	---	---

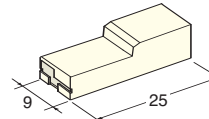
TERMINAL COVERS



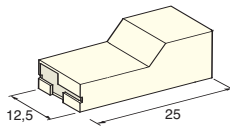
1



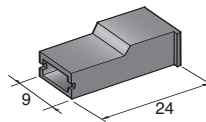
2



3



4



5

IMG	DESCRIPTION	MATERIAL	COLOUR	P/N BOX	M.O.Q.	P/N BULK	M.O.Q.
1	FEMALE 4,8 COVER	PA	<input type="checkbox"/> Neutral	4410062	200		
2	FEMALE 6,3 COVER	PA	<input type="checkbox"/> Neutral	4410077	200	4510077	20000
3	FEMALE 6,3 COVER	PA	<input type="checkbox"/> Neutral	4410078	200		
4	FEMALE 9,5 COVER	PA	<input type="checkbox"/> Neutral	4410079	50		
5	FEMALE 6,3 COVER	PA	<input checked="" type="checkbox"/> Black	4420800	50		

CONNECTIONS AND FIXINGS



FASTON F480



FASTON F630



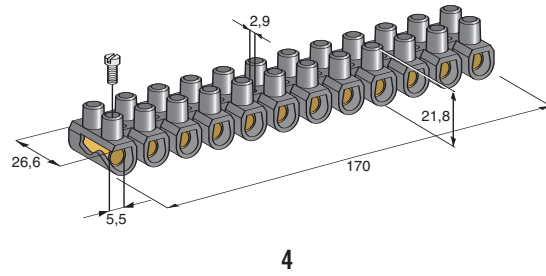
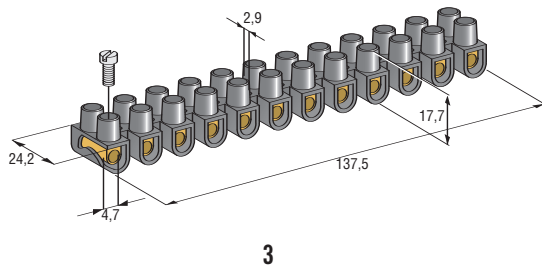
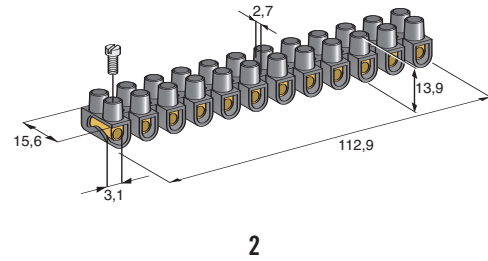
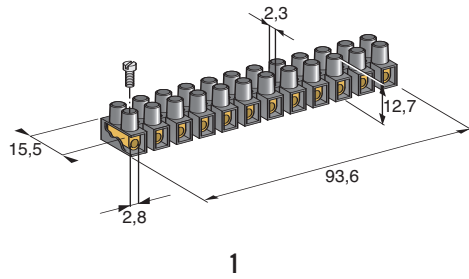
FASTON F950



FASTON F630

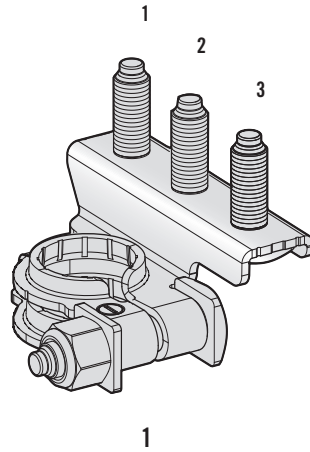
IMG	1	2+3	4	5
-----	---	-----	---	---

CONNECTOR STRIPS

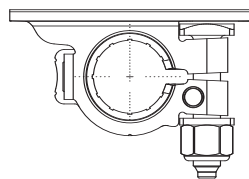


IMG	DESCRIPTION	WAY	MATERIAL	VOLT	In	OPERATION TEMPERATURE	CABLE SECTION mm ²	P/N BOX	M.O.Q.
1	CONNECTOR STRIP	12	PP Black	380	24A	85°C	2,5	4430100	10
2	CONNECTOR STRIP	12	PP Black	380	24A	85°C	6	4430110	10
3	CONNECTOR STRIP	12	PP Black	450	24A	85°C	10	4430120	10
4	CONNECTOR STRIP	12	PP Black	450	24A	85°C	16	4430130	10

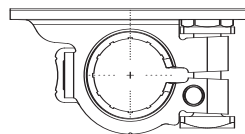
DOUBLE RING



IMG	DESCRIPTION	POLARITY	SCREW			MATERIAL	MATERIAL THICKNESS mm	P/N BOX	M.O.Q.	P/N BULK	M.O.Q.
			1	2	3						
1	M686DX	+	M6	M8	M6	CuZn-Sn	1,5	1507701	10	1507700	250
	M686DX	-	M6	M8	M6	CuZn-Sn	1,5	1507704	10	1507705	250
	M686SX	+	M6	M8	M6	CuZn-Sn	1,5			1507720	250
	M686SX	-	M6	M8	M6	CuZn-Sn	1,5			1507725	250
	M666DX	+	M6	M6	M6	CuZn-Sn	1,5			1507703	250
	M666DX	-	M6	M6	M6	CuZn-Sn	1,5			1507707	220
	M668DX	+	M6	M6	M8	CuZn-Sn	1,5			1507710	250
	M666SX	-	M6	M6	M6	CuZn-Sn	1,5			1507736	250
	M080SX	+	/	M8	/	CuZn-Sn	1,5			1507760	250
	M606SX	+	M6	/	M6	CuZn-Sn	1,5			1507771	250
	M680DX	-	M6	M8	/	CuZn-Sn	1,5			1507785	250
	M868DX	+	M8	M6	M8	CuZn-Sn	1,5			1507790	250
	M806DX	+	M8	/	M6	CuZn-Sn	1,5			1507795	250

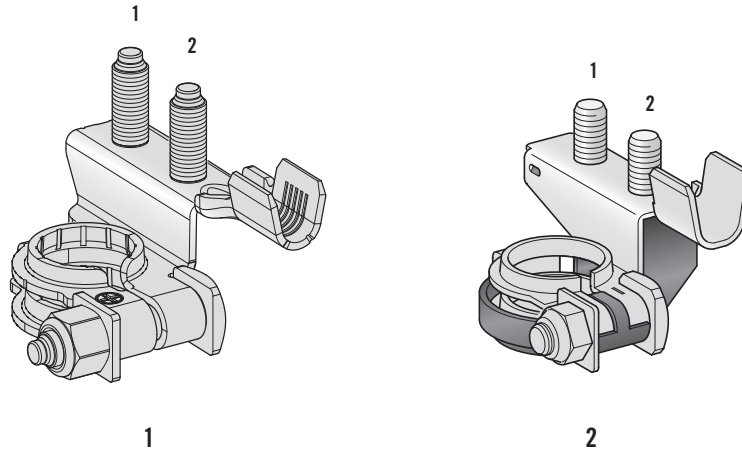


DX

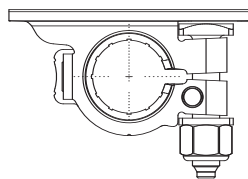


SX

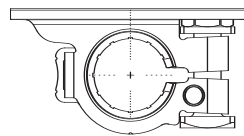
DOUBLE RING



IMG	DESCRIPTION	POLARITY	SCREW		WIRE SECTION mm ²	MATERIAL	MATERIAL THICKNESS mm	P/N BOX	M.O.Q.	P/N BULK	M.O.Q.
			1	2							
1	M66DX	+	M6	M6	10÷20	CuZn-Sn	1,3			1507800	250
	M06SX	+	/	M6	10÷20	CuZn-Sn	1,3			1507810	250
	M66DX	+	M6	M6	25÷40	CuZn-Sn	1,3	1507821	10	1507820	250
	M66DX	-	M6	M6	25÷40	CuZn-Sn	1,3			1507875	250
	M06SX	+	/	M6	25÷40	CuZn-Sn	1,3			1507830	250
	M66SX	-	M6	M6	25÷40	CuZn-Sn	1,3			1507885	250
2	M66DX	-	M6	M6	10÷20	CuZn-Sn	1,3			1556680	300

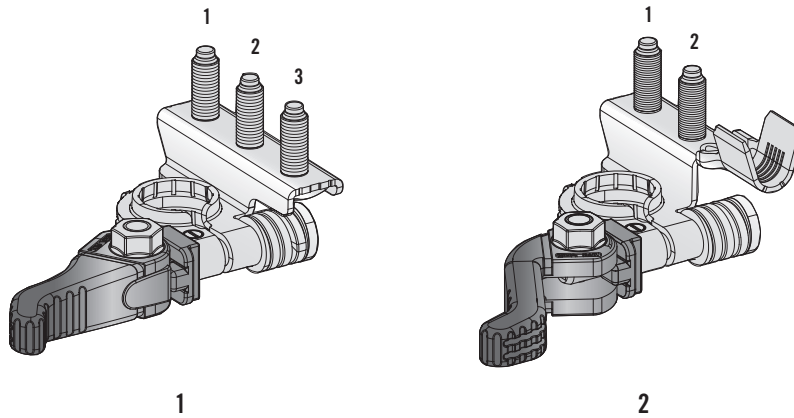


DX



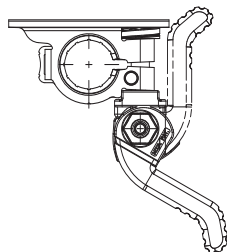
SX

QUICK LOCK

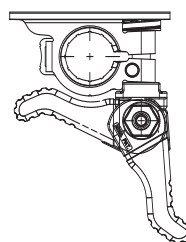


IMG	DESCRIPTION	POLARITY	SCREW			MATERIAL	MATERIAL THICKNESS mm	P/N BOX	M.O.Q.	P/N BULK	M.O.Q.
			1	2	3						
1	M666SX	-	M6	M6	M6	CuZn-Sn	1,5	1507904	1	1507905	200
	M666SX	+	M6	M6	M6	CuZn-Sn	1,5			1507975	200
	M666DX	-	M6	M6	M6	CuZn-Sn	1,5	1507916	1	1507915	200

IMG	DESCRIPTION	POLARITY	SCREW		WIRE SECTION mm ²	MATERIAL	MATERIAL THICKNESS mm	P/N BOX	M.O.Q.	P/N BULK	M.O.Q.
			1	2							
2	M66DX	-	M6	M6	10÷20	CuZn-Sn	1,3	1507926	1	1507925	200
	M66DX	-	M6	M6	25÷40	CuZn-Sn	1,3	1507956	1	1507955	200
	M66DX	-	M6	M6	10÷20	CuZn-Sn	1,3			1507946	100
	M66DX	-	M6	M6	AWG1	CuZn-Sn	1,3			1507957	200

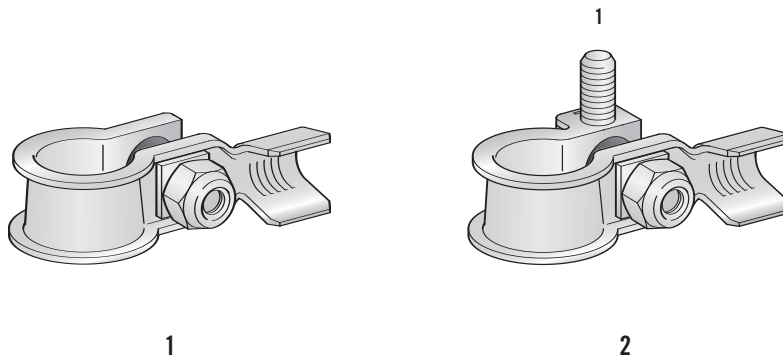


DX

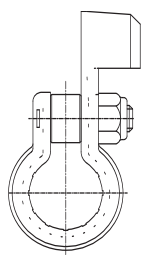


SX

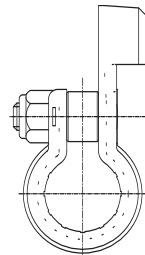
STRIP TYPE



IMG	DESCRIPTION	POLARITY	SCREW (1)	WIRE SECTION mm ²	MATERIAL	MATERIAL THICKNESS mm	P/N BOX	M.O.Q.	P/N BULK	M.O.Q.
1	STRIP DX	-		10÷20	CuZn-Sn	1,2	1506656	10	1506655	400
	STRIP DX	-		25÷40	CuZn-Sn	1,2	1506666	10	1506665	400
	STRIP SX	-		10÷20	CuZn-Sn	1,2			1506658	400
	STRIP SX	-		25÷40	CuZn-Sn	1,2			1506668	400
	STRIP DX	+		10÷20	CuZn-Sn	1,2	1506721	10	1506720	400
	STRIP DX	+		25÷40	CuZn-Sn	1,2	1506731	10	1506730	400
2	STRIP DX	-	M6	10÷20	CuZn-Sn	1,2			1506650	400
	STRIP DX	-	M6	25÷40	CuZn-Sn	1,2			1506660	400

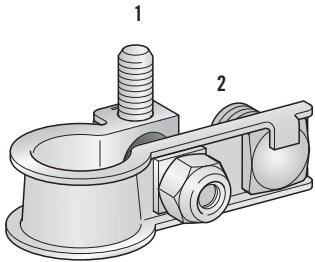


DX



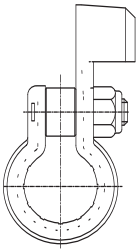
SX

STRIP TYPE

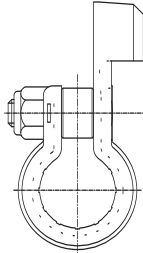


1

IMG	DESCRIPTION	POLARITY	SCREW		MATERIAL	MATERIAL THICKNESS mm	P/N BULK	M.O.Q.
			1	2				
1	STRIP DX	-		M8	CuZn-Sn	1,2	1506675	400
	STRIP SX	-		M8	CuZn-Sn	1,2	1506678	400
	STRIP DX	-	M6	M8	CuZn-Sn	1,2	1506670	400

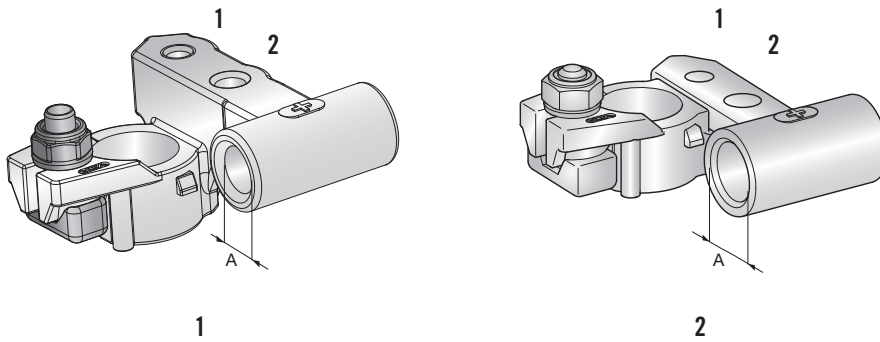


DX



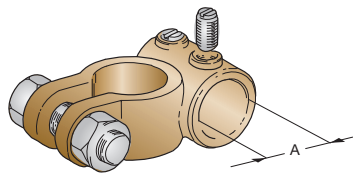
SX

DIE CAST

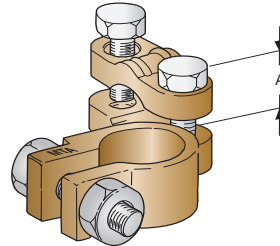


IMG	DESCRIPTION	POLARITY	SCREW		MATERIAL	A mm ²	P/N BOX	M.O.Q.	P/N BULK	M.O.Q.
			1	2						
1	DIE CAST	+	M6	M8	BRASS Sn	50			1506765	70
2	DIE CAST	+	M6	M8	BRASS Sn	70	1506741	1	1506740	150
	DIE CAST	-	M6	M8	BRASS Sn	50	1506761	1	1506761	150

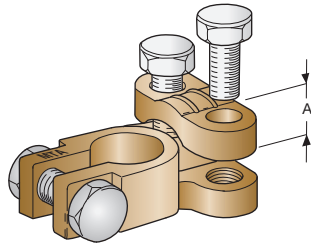
DIE CAST



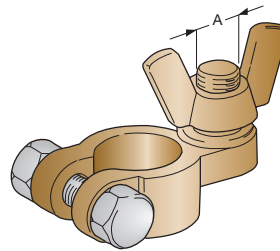
1



2



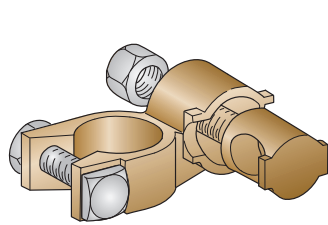
3



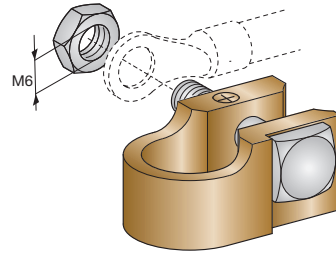
4

IMG	DESCRIPTION	POLARITY	MATERIAL	A mm ²	P/N BOX	M.O.Q.
1	DIE CAST	+	BRASS	50	1506060	25
	DIE CAST	-	BRASS	50	1506070	25
	DIE CAST	+	BRASS	70	1506080	25
	DIE CAST	-	BRASS	70	1506090	25
2	DIE CAST	+	BRASS	25÷50	1506100	25
	DIE CAST	-	BRASS	25÷50	1506110	25
3	DIE CAST	+	BRASS	25÷50	1506270	25
	DIE CAST	-	BRASS	25÷50	1506280	25
4	DIE CAST	+	BRASS	M10	1506120	25
	DIE CAST	-	BRASS	M8	1506130	25

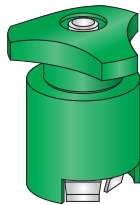
DIE CAST & FRENCH TYPES



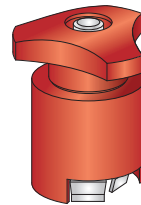
1



2



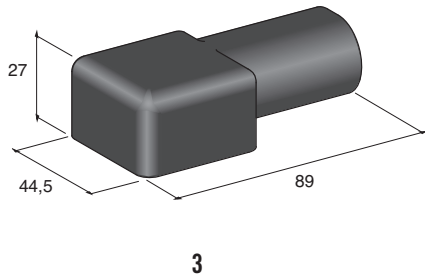
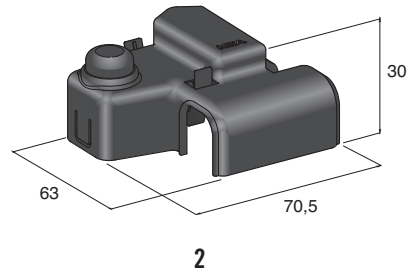
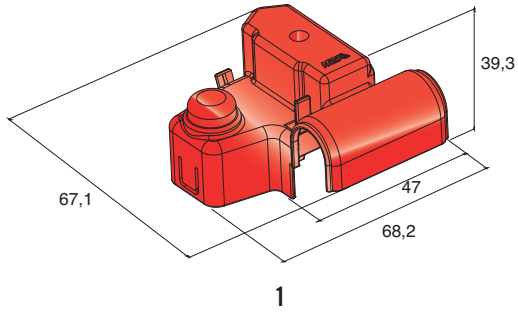
3



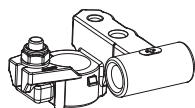
4

IMG	DESCRIPTION	POLARITY	WIRE SECTION mm ²	MATERIAL	P/N BOX	M.O.Q.
1	BATTERY TERMINAL	+	25	BRASS	1506250	25
	BATTERY TERMINAL	-	25	BRASS	1506260	25
2	BATTERY TERMINAL	+/-	-	BRASS	1506820	1+1
3	BATTERY TERMINAL	+	-	PE - NYLON	1506200	25
4	BATTERY TERMINAL	-	-	PE - NYLON	1506210	25

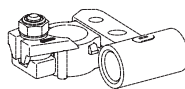
PROTECTION COVERS



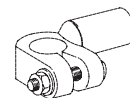
IMG	DESCRIPTION	POLARITY	MATERIAL	COLOUR	P/N BOX	M.O.Q.	P/N BULK	M.O.Q.
1	COVER FOR 1506765	+	PP	Red			4510499	500
2	COVER FOR 150674X	+	PP	Red	4410496	10	4510496	500
	COVER FOR 150676X	-	PP	Black			4510497	500
3	COVER		EPDM	Black	4410495	10		



1

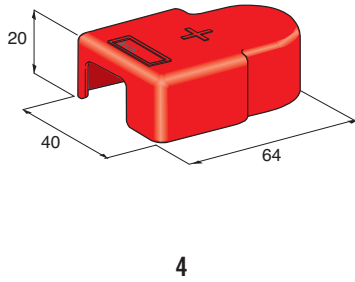
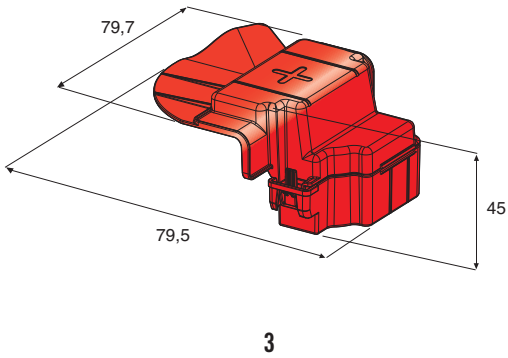
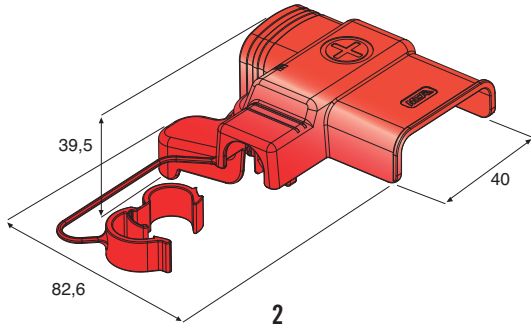
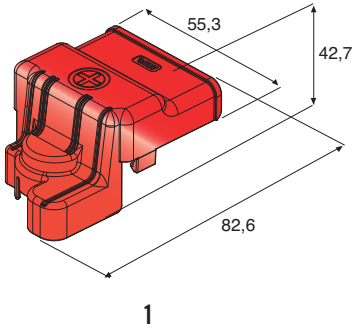


2

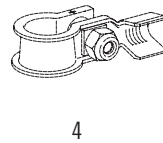
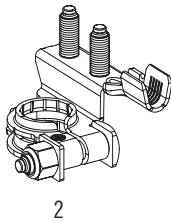
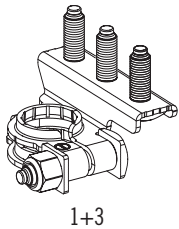


3

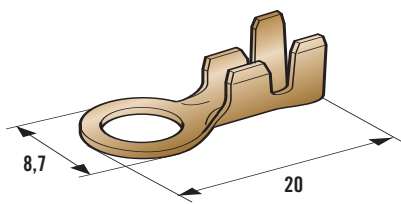
PROTECTION COVERS



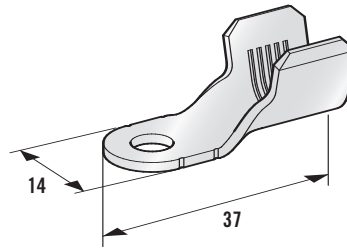
IMG	DESCRIPTION	POLARITY	MATERIAL	COLOUR	P/N BOX	M.O.Q.	P/N BULK	M.O.Q.
1	COVER FOR 15077XX	+	PP	■ Red		10	4510503	100
2	COVER FOR 15078XX	+	PP	■ Red		10	4510502	100
3	COVER FOR 15077XX	+	PP	■ Red		10	4510504	500
4	COVER FOR 1506720/21/30/31	+	PP	■ Red		10	4510480	500



STANDARD RING



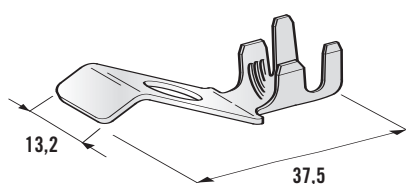
1



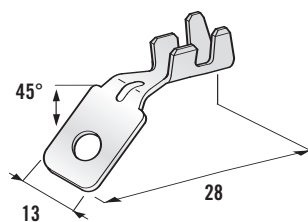
2

IMG	DESCRIPTION	SCREW	WIRE SECTION mm ²	MATERIAL	MATERIAL THICKNESS mm	P/N BOX	M.O.Q.	P/N BOX	M.O.Q.
1	STD	M4	1 ÷ 2,5	CuZn	0,6	1602970	100	1902970	5000
	STD	M5	1 ÷ 2,5	CuZn	0,6	1602980	100	1902980	5000
	STD	M6	1 ÷ 2,5	CuZn	0,6	1602981	100	1902981	5000
2	STD	M6	25 ÷ 40	CuZn - Sn	1,5	1609000	2000		

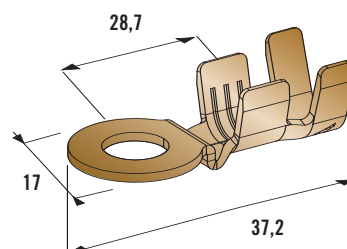
GROUND



1



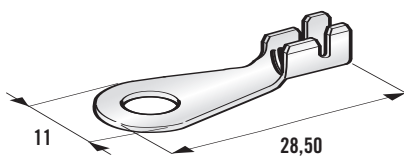
2



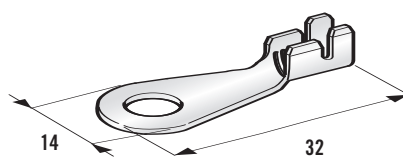
3

IMG	DESCRIPTION	SCREW	WIRE SECTION mm ²	MATERIAL	MATERIAL THICKNESS mm		P/N REEL	M.O.Q.
1	GND 188 TW25	M8	2,5÷4	CuZn-Sn	0,8		1708150	4800
2	GND 188 G45	M5	2,5÷6	CuZn-Sn	0,8		1708160	4800
3	GND L37M8	M8	10	CuZn	1,2		1793754	4000

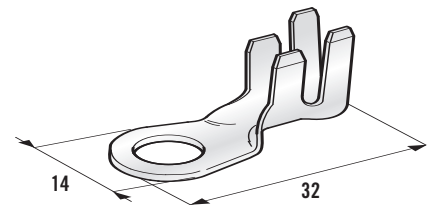
GROUND



1



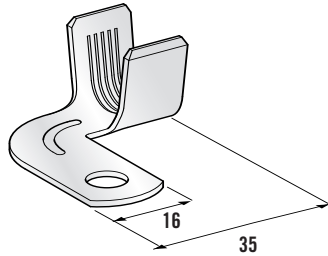
2



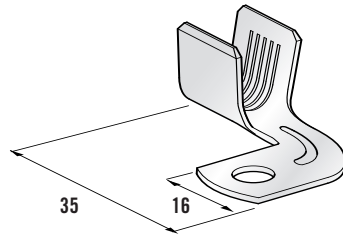
3

IMG	DESCRIPTION	SCREW	WIRE SECTION mm ²	MATERIAL	MATERIAL THICKNESS mm	P/N BOX	M.O.Q.	P/N REEL	M.O.Q.
1	GND	M5	0,5÷1,5	CuZn-Sn	0,6			1706740	4000
	GND FLY	M5	0,5÷1,5	CuZn-Sn	0,6			1706741	12000
2	GND	M6	1÷2,5	CuZn-Sn	0,8	1106720	100	1706720	6000
	GND	M6	4÷6	CuZn-Sn	0,8	1106700	100	1706700	4500
	GND	M6	8÷10	CuZn-Sn	0,8	1106750	100	1706750	3000
	GND	M8	1÷2,5	CuZn-Sn	0,8	1106730	100	1706730	6000
	GND	M8	4÷6	CuZn-Sn	0,8	1106710	100	1706710	4500
	GND	M8	8÷10	CuZn-Sn	0,8	1106760	100	1706760	3000
3	GND FLY	M6	1÷2,5	CuZn-Sn	0,8			1706721	6000
	GND FLY	M6	3÷6	CuZn-Sn	0,8			1706701	4500
	GND FLY	M8	1÷2,5	CuZn-Sn	0,8			1706731	6000
	GND FLY	M8	3÷6	CuZn-Sn	0,8			1706711	4500

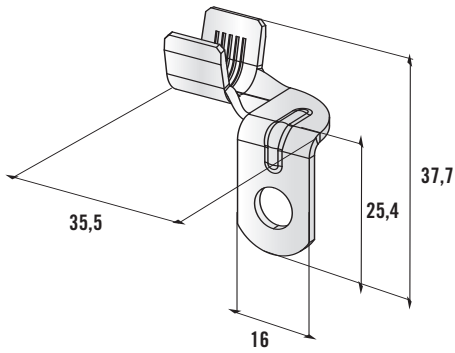
CBA



1



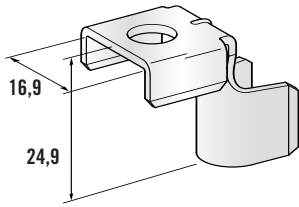
2



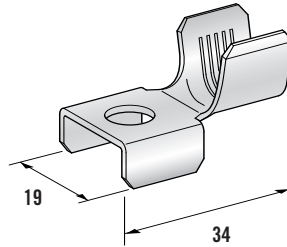
3

IMG	DESCRIPTION	SCREW	WIRE SECTION mm ²	MATERIAL	MATERIAL THICKNESS mm	P/N BOX	M.O.Q.	P/N REEL	M.O.Q.
1	CBA FL 90	M8	10÷20	CuZn-Sn	1,5	1608170	500	1708170	1500
	CBA FL 90	M6	10÷20	CuZn-Sn	1,5			1708175	1000
	CBA FL 90	M6	25÷42	CuZn-Sn	1,5	1604300	1500		
	CBA FL 90	M8	25÷42	CuZn-Sn	1,5	1608210	1500	1708210	1200
	CBA FL 90	M6	25÷42	CuZn-Sn	1,5			1708215	1200
	CBA FL 90	M8	50÷70	CuZn-Sn	1,8			1708230	900
2	CBA SX FL90	M6	20÷40	CuZn-Sn	1,8			1708325	700
	CBA SX FL90	M8	20÷40	CuZn-Sn	1,8	1608321	1000	1708320	700
	CBA SX FL90	M6	50÷70	CuZn-Sn	1,8			1708315	900
	CBA SX FL90	M8	50÷70	CuZn-Sn	1,8			1708310	900
3	CBA SX G90	M8	20÷40	CuZn-Sn	1,8	1608323	1000		

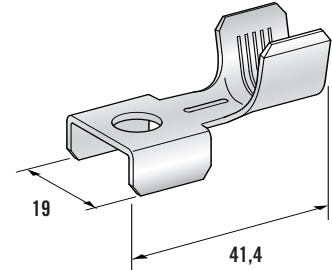
MEGA



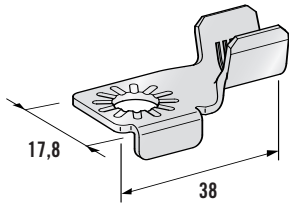
1



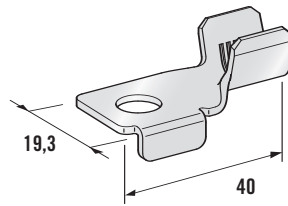
2



3



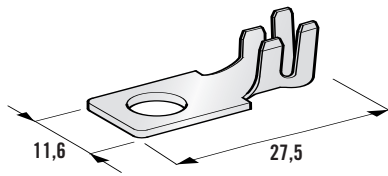
4



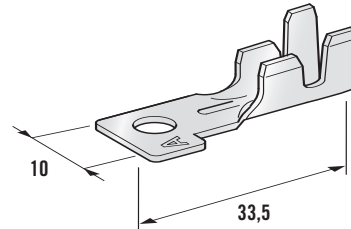
5

IMG	DESCRIPTION	SCREW	WIRE SECTION mm ²	MATERIAL	MATERIAL THICKNESS mm	P/N BOX	M.O.Q.	P/N REEL	M.O.Q.
1	MEGA G90	M8	10÷20	Cu-Sn	1,5	1608180	2000		
	MEGA G90	M8	25÷35	Cu-Sn	1,5	1608190	500		
2	MEGA	M8	10÷20	Cu-Sn	1,2	1108110	10	1708110	1350
	MEGA	M8	25÷35	Cu-Sn	1,2	1108120	10	1708120	1050
3	MEGA	M8	25÷40	Cu-Sn	1,5	1608196	500		
	MEGA	M8	AWG-1	Cu-Sn	1,5	1608199	500		
4	W84	M8	10÷25	CuZn-Sn	1,5	1608800	1400		
5	W62	M8	25÷40	Cu-Sn	1,5	1609320	750		

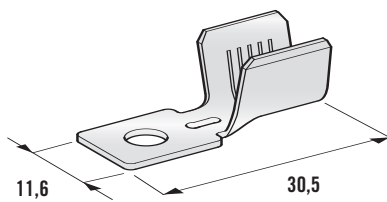
MIDI



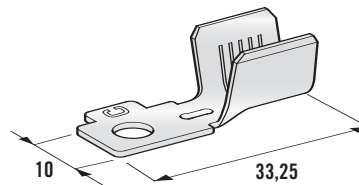
1



2

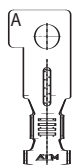


3

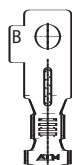


4

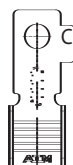
IMG	DESCRIPTION	SCREW	WIRE SECTION mm ²	MATERIAL	MATERIAL THICKNESS mm	P/N BOX	M.O.Q.	P/N REEL	M.O.Q.
1	MIDI	M5	2,5÷4	CuZn-Sn	0,8	1108240	10	1708240	4000
	MIDI	M5	6÷8	CuZn-Sn	0,8	1108245	10	1708245	2400
	MIDI	M6	6÷8	CuZn-Sn	0,8			1708246	2400
2	MIDI POL A	M5	2,5÷4	Cu-Sn	0,8			1705616	3000
	MIDI POL B	M5	2,5÷4	Cu-Sn	0,8			1705626	3000
	MIDI POL E	M5	2,5÷4	Cu-Sn	0,8			1705656	3000
	MIDI POL B	M5	6÷8	Cu-Sn	0,8			1705725	3000
	MIDI POL D	M5	6÷8	Cu-Sn	0,8			1705745	3000
	MIDI POL C	M5	6÷8	Cu-Sn	0,8			1705735	3000
3	MIDI	M5	10÷16	CuZn-Sn	0,8			1708250	2400
4	MIDI POL C	M5	10÷20	Cu-Sn	1,5			1705835	1500
	MIDI POL B	M5	10÷20	Cu-Sn	1,5			1705825	1000
	MIDI POL B	M5	25÷35	Cu-Sn	1,5			1705925	800



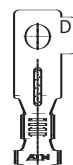
POL A



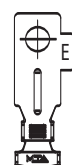
POL B



POL C

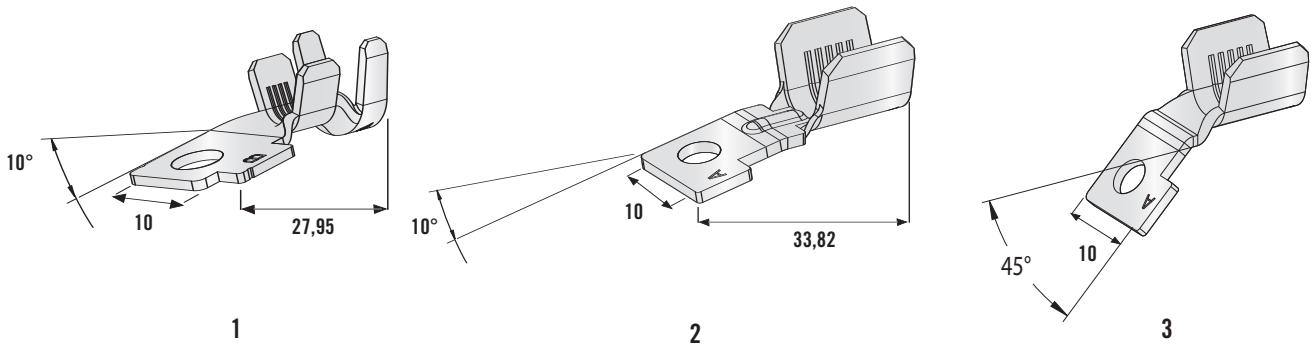


POL D

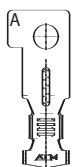


POL E

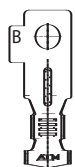
MIDI



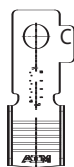
IMG	DESCRIPTION	SCREW	WIRE SECTION mm ²	MATERIAL	MATERIAL THICKNESS mm	P/N BOX	M.O.Q.	P/N REEL	M.O.Q.
1	MIDI G10 POL B	M5	6÷8	1	CuZn-Sn			1705726	2700
2	MIDI G10 POL A	M5	10÷20	1,5	CuZn-Sn			1705816	1500
	MIDI G10 POL B	M5	10÷20	1,5	CuZn-Sn			1705826	1500
	MIDI G10 POL D	M5	10÷20	1,5	CuZn-Sn			1705846	1500
3	MIDI G135 POL A	M5	10÷20	1,5	CuZn-Sn	1605815	1500		



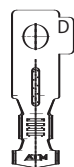
POL A



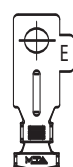
POL B



POL C

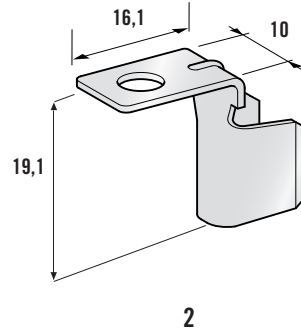
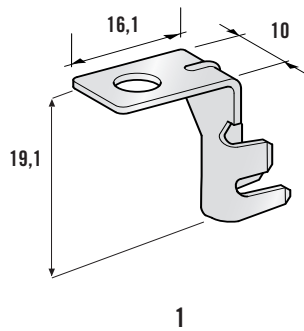


POL D

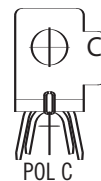
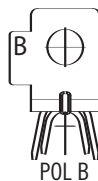
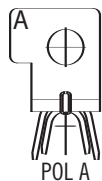


POL E

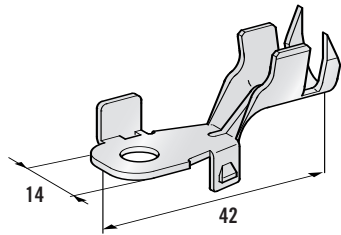
MIDI G90



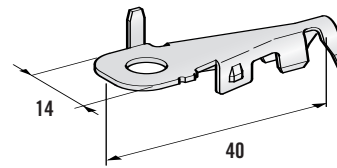
IMG	DESCRIPTION	SCREW	WIRE SECTION mm ²	MATERIAL	MATERIAL THICKNESS mm		P/N BOX	M.O.Q.
1	MIDI G90 UNI	M5	2,5÷4	Cu-Sn	0,8		1605600	2000
	MIDI G90 POL.A	M5	2,5÷4	Cu-Sn	0,8		1605610	2000
	MIDI G90 POL.A	M5	6÷8	Cu-Sn	0,8		1605710	2000
	MIDI G90 POL.B	M5	2,5÷4	Cu-Sn	0,8		1605620	2000
	MIDI G90 POL.B	M5	6÷8	Cu-Sn	0,8		1605720	2000
	MIDI G90 POL.C	M5	2,5÷4	Cu-Sn	0,8		1605630	2000
	MIDI G90 POL.C	M5	6÷8	Cu-Sn	0,8		1605730	2000
2	MIDI G90 UNI	M5	10÷20	Cu-Sn	1,5		1605800	2000
	MIDI G90 UNI	M5	25÷35	Cu-Sn	1,5		1605900	2000
	MIDI G90 POL.A	M5	10÷20	Cu-Sn	1,5		1605810	1500
	MIDI G90 POL.A	M5	25÷35	Cu-Sn	1,5		1605910	2000
	MIDI G90 POL.B	M5	10÷20	Cu-Sn	1,5		1605820	2000
	MIDI G90 POL.C	M5	10÷20	Cu-Sn	1,5		1605830	2000
	MIDI G90 POL.C	M5	25÷35	Cu-Sn	1,5		1605930	2000



REVERSIBLE



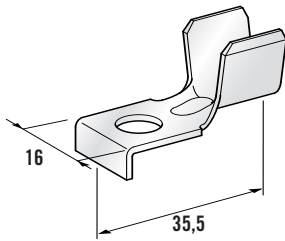
1



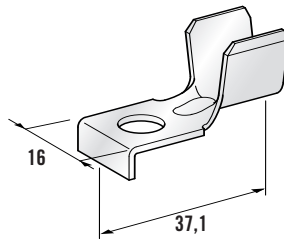
2

IMG	DESCRIPTION	SCREW	WIRE SECTION mm ²	MATERIAL	MATERIAL THICKNESS mm		P/N REEL	M.O.Q.
1	RVS A	M6	2,5÷4	Cu-Sn	0,8		1706900	2250
	RVS A	M6	6÷8	Cu-Sn	1,0		1706910	2100
	RVS A	M6	10÷16	Cu-Sn	1,2		1706920	1800
2	RVS B	M6	2,5÷4	Cu-Sn	0,8		1706930	3300
	RVS B	M6	6÷8	Cu-Sn	1,0		1706940	3000

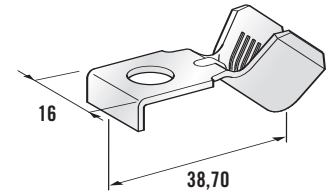
SQUARE



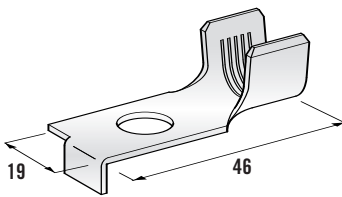
1



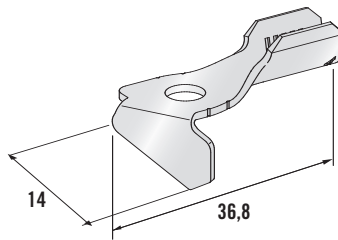
2



3



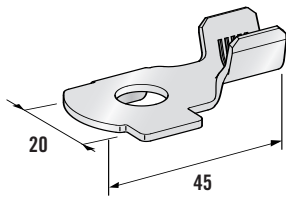
4



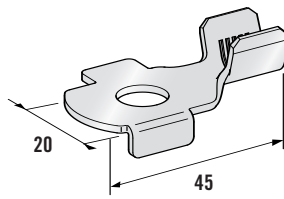
5

IMG	DESCRIPTION	SCREW	WIRE SECTION mm ²	MATERIAL	MATERIAL THICKNESS mm	P/N BOX	M.O.Q.	P/N REEL	M.O.Q.
1	SQR A	M6	10÷20	CuZn-Sn	1,2			1706970	1800
	SQR A	M6	25÷35	CuZn-Sn	1,2			1706980	1500
	SQR A	M6	25÷40	CuZn-Sn	1,5	1606981	1800		
	SQR A	M8	10÷20	CuZn-Sn	1,2			1706950	1800
	SQR A	M8	10 -20	CuZn-Sn	1,5	1606991	1700		
	SQR A	M8	25÷35	CuZn-Sn	1,2			1706960	1500
	SQR A	M8	25÷40	CuZn-Sn	1,5	1606990	2000		
2	SQR A	M8	25÷40	CuZn-Sn	1,5	1606992	800		
3	SQR A G40	M6	25÷40	CuZn-Sn	1,2	1606982	2000		
4	SQR B	M10	10÷20	CuZn-Sn	1,5			1708220	1000
	SQR B	M10	25÷35	CuZn-Sn	1,5			1708200	800
5	SQR G30	M6	6÷8	CuZn-Sn	1,5			1708340	2400
	SQR G30	M6	10÷20	CuZn-Sn	1,5	1608345	3000	1708345	2000

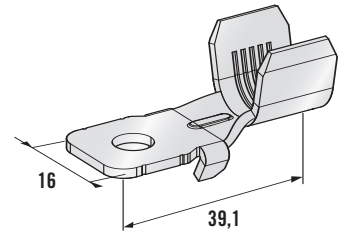
SQUARE



1



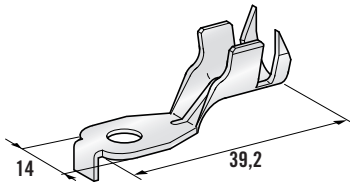
2



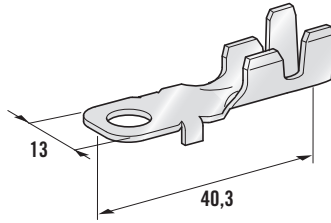
3

IMG	DESCRIPTION	SCREW	WIRE SECTION mm ²	MATERIAL	MATERIAL THICKNESS mm		P/N REEL	M.O.Q.
1	SQR C DX	M10	10÷20	CuZn-Sn	1,5		1708185	1000
2	SQR C SX	M10	10÷20	CuZn-Sn	1,5		1708195	1000
	SQR C SX	M10	25÷40	CuZn-Sn	1,5		1708270	1000
3	SQR C MY03	M6	10÷20	CuZn-Sn	1,5		1706975	1800
	SQR C MY03	M6	25÷40	CuZn-Sn	1,5		1706977	1500

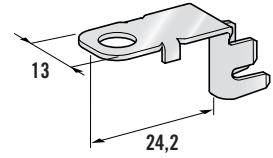
SMT



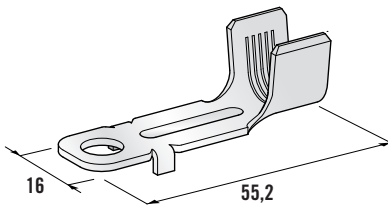
1



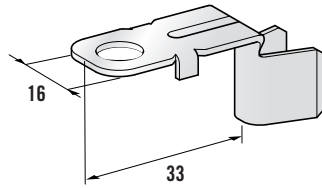
2



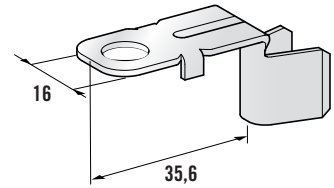
3



4



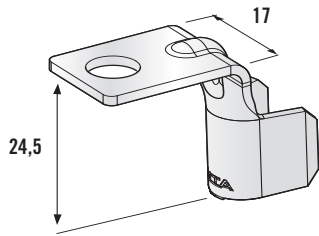
5



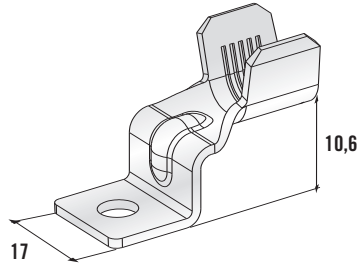
6

IMG	DESCRIPTION	SCREW	WIRE SECTION mm ²	MATERIAL	MATERIAL THICKNESS mm	P/N BOX	M.O.Q.	P/N REEL	M.O.Q.
1	SMT - A	M6	4÷8	CuZn-Sn	1			1706880	2100
	SMT - A	M6	10÷16	CuZn-Sn	1,2	1606890	2000	1706890	1800
2	SMT - B	M6	2,5÷4	CuZn-Sn	0,8			1706600	4500
3	SMT C	M8	50÷70	CuZn-Sn	1,5	1606796	1000		
4	SMT C G90	M6	6÷8	CuZn-Sn	1,2	1606775	500		
	SMT C G90	M6	10÷20	CuZn-Sn	1,2	1606770	2000		
	SMT C G90	M8	10÷20	CuZn-Sn	1,2	1606780	2000		
	SMT C G90	M8	25÷40	CuZn-Sn	1,2	1606785	2000		
5	SMT C G90	M8	50÷70	CuZn-Sn	1,5	1606795	1000		

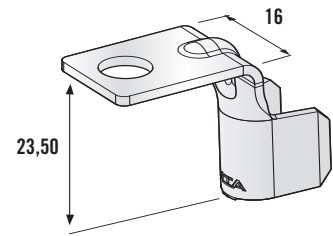
SPECIAL TYPES



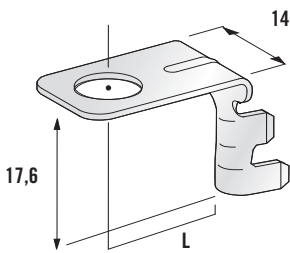
1



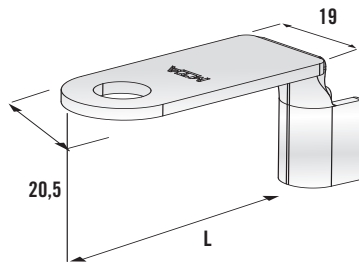
2



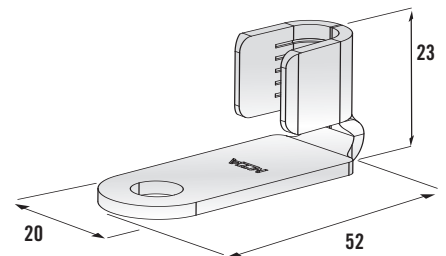
3



4



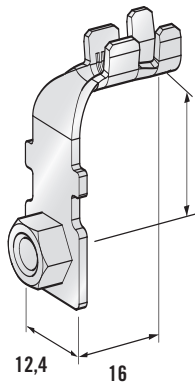
5



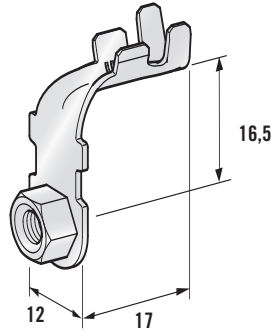
6

IMG	DESCRIPTION	SCREW	WIRE SECTION mm ²	MATERIAL	MATERIAL THICKNESS mm	L		P/N BOX	M.O.Q.
1	FDU G90	M8	25÷40	CuZn-Sn	1,5			1608380	1500
	FDU G90	M6	25÷40	CuZn-Sn	1,5			1608381	700
2	FDU G90	M6	24÷40	CuZn-Sn	1,5			1608382	700
3	G90	M8	50÷70	Cu-Sn	1,8			1607500	600
4	PTC G90	M8	2,5÷4	Cu-Sn	0,8	15,4		1608500	2000
	STR-S G90	M6	2,5÷4	Cu-Sn	0,8	11,4		1608510	2300
5	G90	M8	16	CuZn-Sn	1,9	44,5		1793752	500
	G90	M8	16	CuZn-Sn	1,9	54,5		1796416	500
6	G90	M8	35	CuZn-Sn	2,3			1793753	500

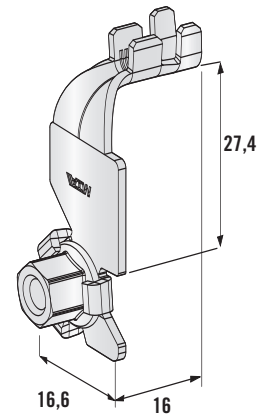
NUT TYPES



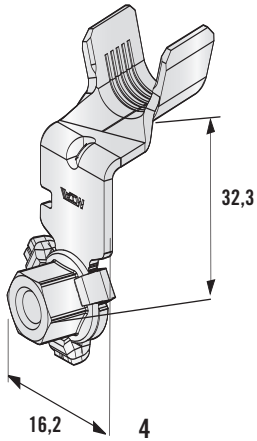
1



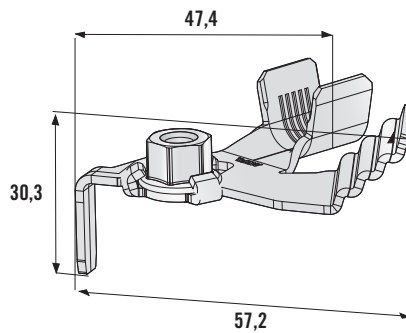
2



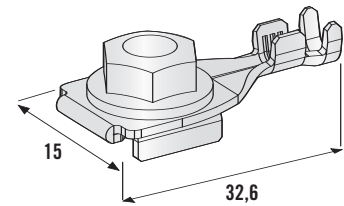
3



4



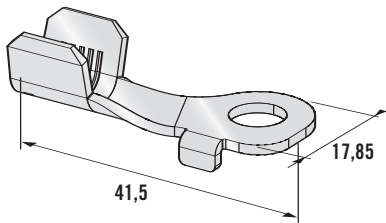
5



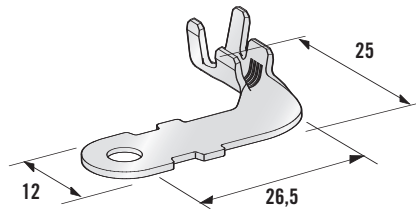
6

IMG	DESCRIPTION	SCREW	WIRE SECTION mm ²	MATERIAL	MATERIAL THICKNESS mm		P/N BOX	M.O.Q
1	NUT G90 SH	M5	2,5÷5	CuZn-Sn	1,2		1608420	1500
2	NUT G90	M5	2,5÷5	CuZn-Sn	1,0		1608400	1500
3	W95 G90	M5	2,5÷5	CuZn-Sn	1,2		1608470	800
4	STARTER W95 G90	M6	25÷40	CuZn-Sn	1,5		1608450	500
5	JUMP START W95	M6	25÷40	CuZn-Sn	1,5		1608460	230
6	NUT L32	M6	1÷3	CuZn-Sn	1,0		1608480	TBD

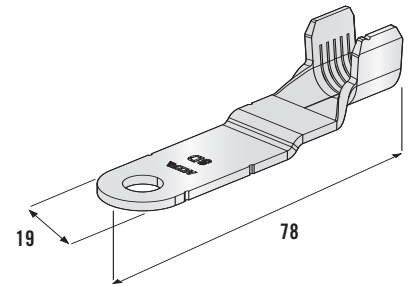
SPECIAL TYPES



1



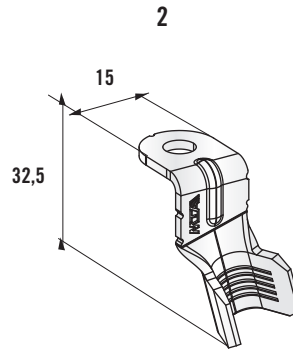
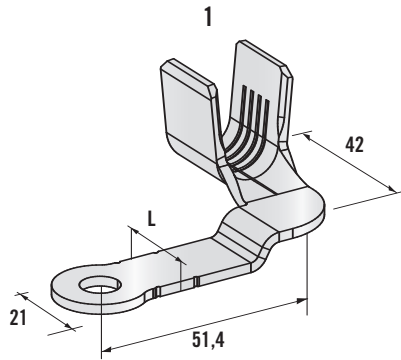
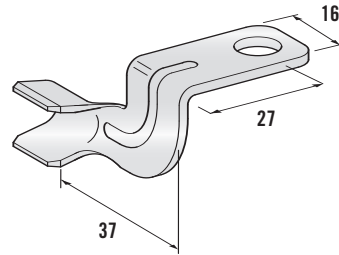
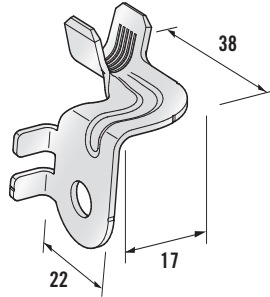
2



3

IMG	DESCRIPTION	SCREW	WIRE SECTION mm ²	MATERIAL	MATERIAL THICKNESS mm	P/N BOX	M.O.Q.	P/N REEL	M.O.Q.
1	STARTER L41	M8	10÷20	CuZn-Sn	1,5			1708360	1500
	STARTER L41	M8	25÷40	CuZn-Sn	1,5			1708370	1200
2	X70 FL90	M5	4÷7	CuZn-Sn	1,0	1608415	3000		
3	ALTERNATOR	M8	35÷50	Cu-Sn	2	1607400	300		

SPECIAL TYPES

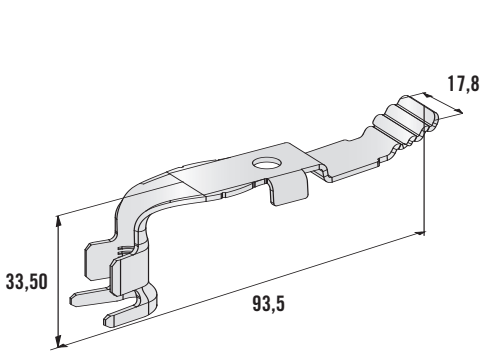


3

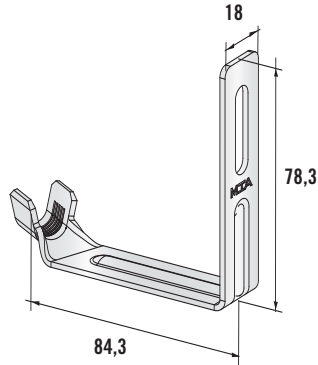
4

IMG	DESCRIPTION	SCREW	WIRE SECTION mm ²	MATERIAL	MATERIAL THICKNESS mm	L		P/N BOX	M.O.Q.
1	ND TW90	M8	25÷40	CuZn-Sn	1,5			1609100	1000
2	FLANGE TW90	M8	10÷20	CuZn-Sn	1,5			1608600	1500
	FLANGE TW90	M8	25÷35	CuZn-Sn	1,5			1608700	1500
3	D21	M8	70÷95	CuZn-Sn	2,3	16		1609900	240
	D21	M8	16÷41	CuZn-Sn	2	16		1609910	380
	D21	M8	14÷41	CuZn-Sn	2	13		1609920	450
	D21	M8	16÷41	Cu-Sn	2	16		1609911	380
4	FL15G90	M6	25÷35	Cu-Sn	1,8			1608520	700

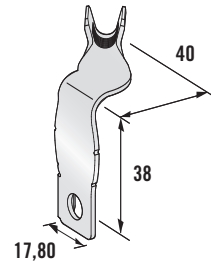
SPECIAL TYPES



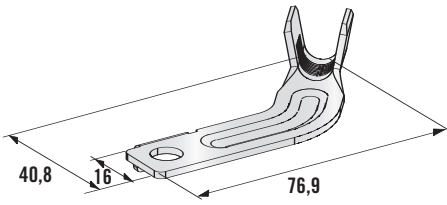
1



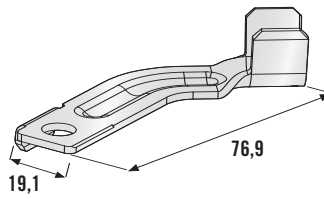
2



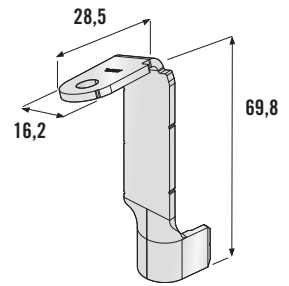
3



4



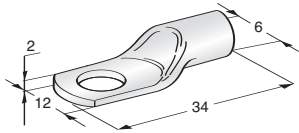
5



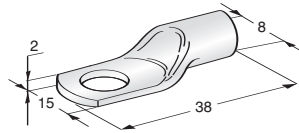
6

IMG	DESCRIPTION	SCREW	WIRE SECTION mm ²	MATERIAL	MATERIAL THICKNESS mm		P/N BOX	M.O.Q.
1	W84 G90	M8	25÷41	CuZn-Sn	1,5		1609400	350
2	SLOT G90	M8	25÷40	CuZn-Sn	1,8		1609500	300
3	W84 TW90	M8	10÷25	Cu-Sn	1,5		1608911	800
4	W61 FLAG5	M8	25	CuZn-Sn	1,8		1609600	500
5	W62 FLAG 50	M8	25÷40	CuZn-Sn	1,8		1609310	300
6	W95 G90	M6	25÷40	CuZn-Sn	2,2		1608440	400

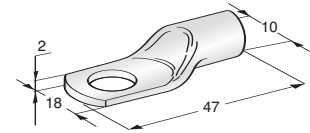
TUBULAR



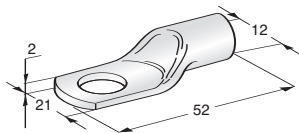
1



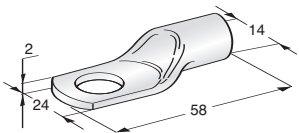
2



3



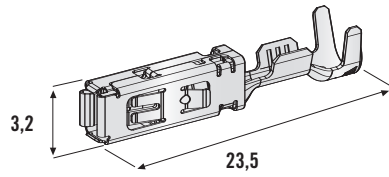
4



5

IMG	DESCRIPTION	SCREW	WIRE SECTION mm ²	MATERIAL		P/N BOX	M.O.Q.
1	TUBOLAR L34	M6	16	Cu - Sn		1605000	50
	TUBOLAR L34	M8	16	Cu - Sn		1605100	50
2	TUBOLAR L38	M8	25	Cu - Sn		1605010	50
	TUBOLAR L38	M10	25	Cu - Sn		1605110	50
3	TUBOLAR L47	M8	35	Cu - Sn		1605021	50
	TUBOLAR L47	M10	35	Cu - Sn		1605020	50
4	TUBOLAR L52	M11	50	Cu - Sn		1605030	25
	TUBOLAR L52	M13	50	Cu - Sn		1605040	25

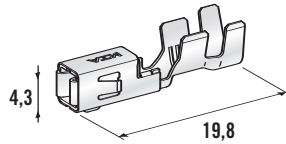
HP6 280



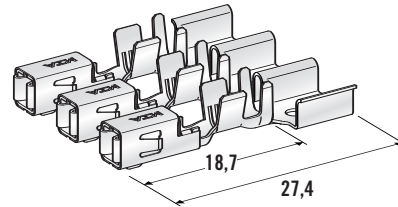
1

IMG	DESCRIPTION	WIRE SECTION mm ²	MATERIAL	MATERIAL THICKNESS mm	CONTACT AREA COATING		P/N REEL	M.O.Q
1	HP6 280	0,5±1	Cu Alloy-Sn	0,3	Au		1708380	14000
	HP6 280	1,5±2,5	Cu Alloy-Sn	0,3	Au		1708381	14000
	HP6 280	0,5±1	Cu Alloy-Sn	0,3	Sn		1708382	14000
	HP6 280	1,5±2,5	Cu Alloy-Sn	0,3	Sn		1708383	14000

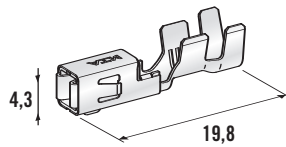
MINI 280



1



2



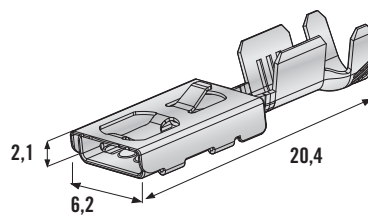
3



4

IMG	DESCRIPTION	WIRE SECTION mm ²	MATERIAL THICKNESS mm	MATERIAL	COLOUR	P/N BOX	M.O.Q.	P/N REEL	M.O.Q.
1	MINI F280	0,35÷0,75	0,30	CuFe-Sn		1108330	100	1708330	9000
	MINI F280	1÷2	0,30	CuFe-Sn		1108331	100	1708331	9000
	MINI F280	2,5÷4	0,30	CuFe-Sn		1108332	100	1708332	9000
2	MINI F280 BUS BAR	1÷2	0,30	CuFe-Sn				1708335	15000
	MINI F280 BUS BAR	2,5÷4	0,30	CuFe-Sn				1708336	15000
3	MINI F280 WP	0,35÷0,75	0,30	CuFe-Sn		1108337		1708337	
	MINI F280 WP	1÷2	0,30	CuFe-Sn		1108338		1708338	
	MINI F280 WP	2,5÷4	0,30	CuFe-Sn		1108339		1708339	
4	GASKET	0,35÷0,75		Silicon	Blue	4551747		4550747	
	GASKET	1÷2		Silicon	Red	4551748		4550748	
	GASKET	2,5÷4		Silicon	Yellow	4551749		4550749	

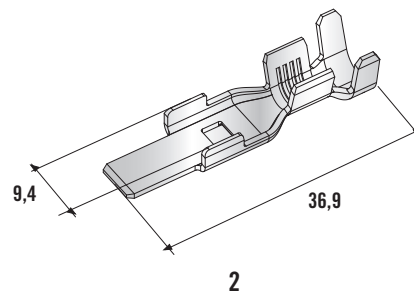
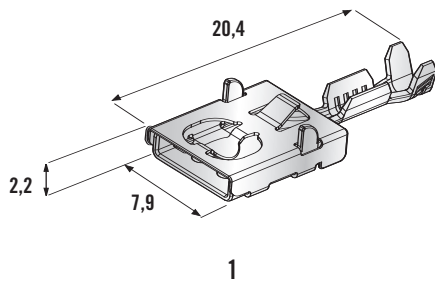
F 480E



1

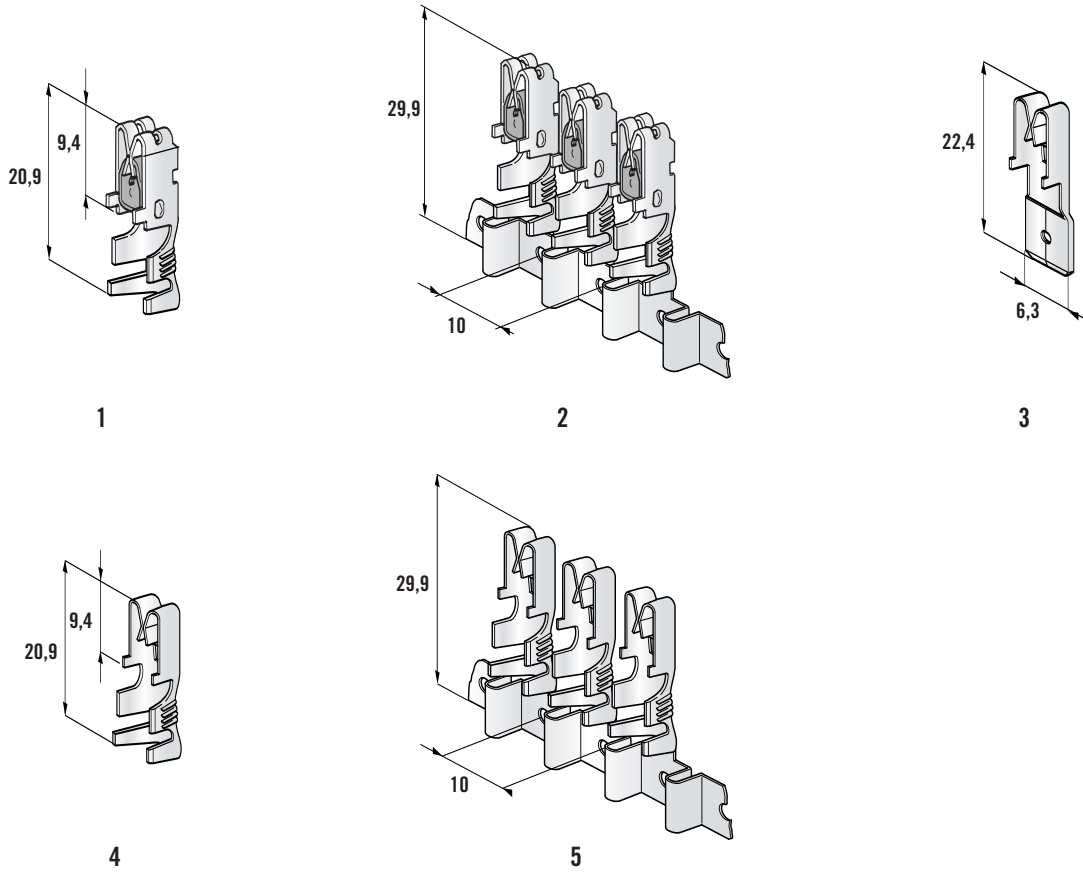
IMG	DESCRIPTION	WIRE SECTION mm ²	MATERIAL	MATERIAL THICKNESS mm		P/N REEL	M.O.Q
1	F480E	0,35÷1	CuZn-Sn	0,3		1708400	25000
	F480E	1,5÷2,5	Cu Alloy-Sn	0,3		1708401	20000

F 630E & M 630



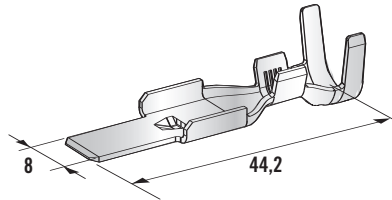
IMG	DESCRIPTION	WIRE SECTION mm ²	MATERIAL	MATERIAL THICKNESS mm	TAB		P/N REEL	M.O.Q.
1	F630 E	0,35÷0,5	CuZn-Sn	0,40	6,3 x 0,8		1708500	17500
	F630 E	0,75÷1,5	CuZn-Sn	0,40	6,3 x 0,8		1708501	15000
	F630 E	2÷2,5	Cu Alloy-Sn	0,40	6,3 x 0,8		1708502	10000
	F630 E	4÷6	Cu Alloy-Sn	0,40	6,3 x 0,8		1708503	8400
	F630 E	0,35÷0,5	CuZn-Sn	0,40	5,2 x 0,6		1708510	TBD
	F630 E	0,75÷1,5	CuZn-Sn	0,40	5,2 x 0,6		1708511	15000
	F630 E	2÷2,5	Cu Alloy-Sn	0,40	5,2 x 0,6		1708512	12500
	F630 E	4÷6	Cu Alloy-Sn	0,40	5,2 x 0,6		1708513	8400
2	M630	1,5÷2	Cu-Sn	0,8			1707990	4500
	M630	2,5÷4	Cu-Sn	0,8			1707991	3000

UNI 630

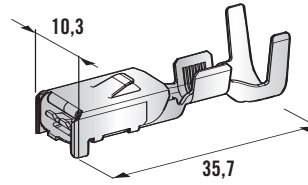


IMG	DESCRIPTION	WIRE SECTION mm ²	MATERIAL	MATERIAL THICKNESS mm	P/N BOX	M.O.Q.	P/N REEL	M.O.Q.
1	UNI F630 WITH CLIP	0,5÷1,5	CuSn-Sn	0,4	1107920	100	1707920	8000
	UNI F630 WITH CLIP	2÷3	CuSn-Sn	0,4	1107930	100	1707930	8000
	UNI F630 WITH CLIP	4÷6	CuNi-Sn	0,4	1107940	50	1707940	7200
2	UNI F630 BUS BAR C/CLIP	2÷3	CuSn-Sn	0,4			1707932	12000
	UNI F630 BUS BAR C/CLIP	4÷6	CuNi-Sn	0,4			1707942	9000
3	UNI F630		CuSn-Sn	0,4	1107501	100	1907501 box	5000
4	UNI F630	0,5÷1,5	CuSn-Sn	0,4	1107900	100	1707900	8000
	UNI F630	2÷3	CuSn-Sn	0,4			1707902	8000
	UNI F630	4÷6	CuSn-Sn	0,4	1107901	100	1707901	7200
5	UNI F630 BUS BAR	0,5÷1,5	CuSn-Sn	0,4			1707910	15000
	UNI F630 BUS BAR	2÷3	CuSn-Sn	0,4			1707912	12000
	UNI F630 BUS BAR	4÷6	CuSn-Sn	0,4			1707911	9000

MAXI 800 WP



1



2



3

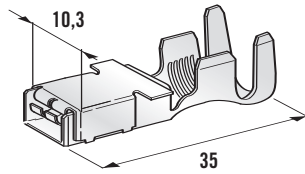


4

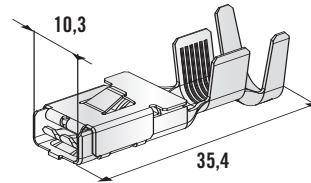
IMG	DESCRIPTION	WIRE SECTION mm ²	MATERIAL	MATERIAL THICKNESS mm		P/N REEL	M.O.Q.
1	WP M800	2,5 - 4	Cu-Sn	0,8		1707760	1300
	WP M800	6 - 8	Cu-Sn	0,8		1707770	1300
	WP M800	10 - 16	Cu-Sn	0,8		1707780	1950
2	WP F800	1,5 - 2,5	CuZn-Sn	0,5		1707400	1950
	WP F800	3 - 6	CuZn-Sn	0,5		1707410	1950
	WP F800	7 - 10	CuNi-Sn	0,5		1707420	1950

IMG	DESCRIPTION	WIRE DIAMETER Ø mm	MATERIAL	COLOUR	P/N BOX	M.O.Q.
3	GASKET	1,9 - 3,3	SILICON	■ Green	4550780	5000
	GASKET	3,4 - 4,9	SILICON	■ Blue	4550781	5000
	GASKET	5 - 6,5	SILICON	■ Red	4550782	5000
4	CAVITY PLUG		SILICON	□ Natural	4550784	5000

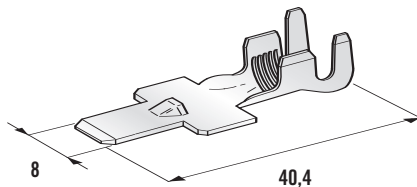
MAXI 800



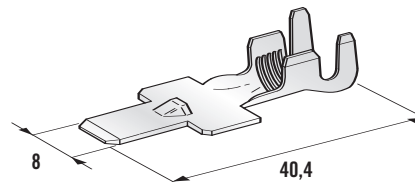
1



2



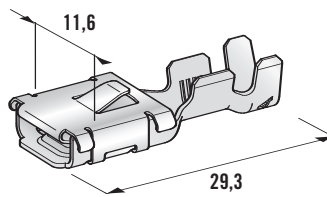
2



4

IMG	DESCRIPTION	WIRE SECTION mm ²	MATERIAL	MATERIAL THICKNESS mm	P/N BOX	M.O.Q	P/N REEL	M.O.Q.
1	F800	1,5÷2,5	CuZn-Sn	0,5	1107650	20	1707650	3000
	F800	4÷6	CuZn-Sn	0,5	1107660	20	1707660	3000
	F800	8÷10	CuZn-Sn	0,5	1107670	20	1707670	1950
	F800	8÷10	CuNi-Sn	0,5			1707672	1950
	F800	16	CuNi-Sn	0,5	1107671	20	1707671	1950
2	F800 WITH CLIP	1,5÷2,5	Cu-Sn	0,5			1707620	3000
	F800 WITH CLIP	4÷6	Cu-Sn	0,5			1707621	3000
	F800 WITH CLIP	8÷10	Cu-Sn	0,5			1707622	1950
3	M800	2,5÷4	Cu-Sn	0,8	1107675	20	1707675	3000
	M800	6÷8	Cu-Sn	0,8	1107685	20	1707685	2400
	M800	10÷16	Cu-Sn	0,8	1107690	20	1707690	1950
4	WP M800	2,5÷4	Cu-Sn	0,8	1107700	20	1707700	3000
	WP M800	6÷8	Cu-Sn	0,8	1107710	20	1707710	2400
	WP M800	10÷16	Cu-Sn	0,8	1107720	20	1707720	2100

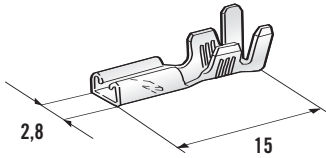
POWER 950



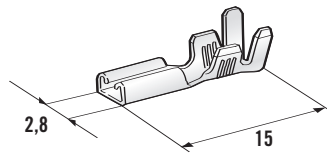
1

IMG	DESCRIPTION	WIRE SECTION mm ²	MATERIAL	MATERIAL THICKNESS mm	P/N BOX	M.O.Q.	P/N REEL	M.O.Q.
1	F950	2,5÷4	Cu-Sn	0,6	1107740	20	1707740	3000
	F950	6÷8	Cu-Sn	0,6	1107741	20	1707741	2400
	F950	10÷16	Cu-Sn	0,6			1707742	1950

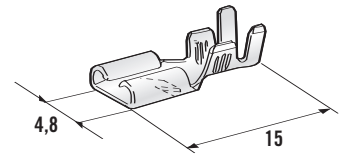
FASTON



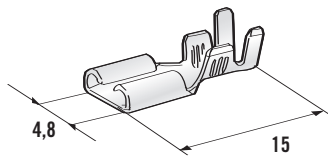
1



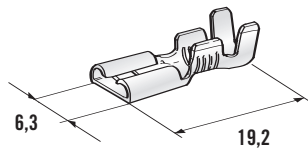
2



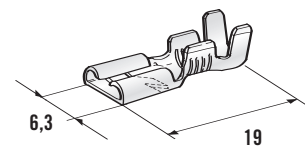
3



4



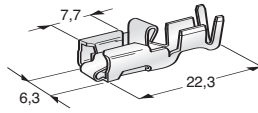
5



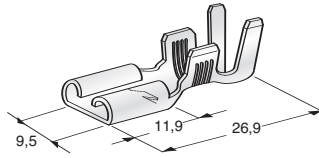
6

IMG	DESCRIPTION	WIRE SECTION mm ²	MATERIAL THICKNESS mm	MATERIAL	P/N BOX mm	M.O.Q.	P/N BOX	M.O.Q.	P/N REEL	M.O.Q.
1	F280 WITH LOCKING NOTCH	0,5÷1	0,25	CuZn-Sn	1101700	200				
2	F280	0,3÷1	0,30	CuZn	1301390	2000	1901390	10000		
3	F480 WITH LOCKING NOTCH	0,5÷1	0,32	CuZn-Sn	1101710	100				
4	FASTON F480	0,5÷1	0,33	CuZn	1301391	100	1901391	10000		
	FASTON F480	0,5÷1	0,33	CuZn-Sn					1701391	10000
5	F630 WITH LOCKING NOTCH	1÷2,5	0,35	CuZn	1301650	5000	1901650	5000		
	F630 WITH LOCKING NOTCH	1÷2,5	0,35	CuZn-Sn	1101650	5000	1911650	5000	1701650	15000
	F630 WITH LOCKING NOTCH	2,5÷6	0,35	CuZn-Sn					1701651	3000
6	F630	0,3÷8	0,40	CuZn	1301402	100	1901402	5000		
	F630	1÷2,5	0,35	CuZn-Sn					1701655	15000
	F630	1÷2,5	0,40	CuZn	1301400	10000	1901400	5000	1401400	15000
	F630	1÷2,5	0,40	CuZn-Sn	1101400	200	1911400	5000	1701400	15000

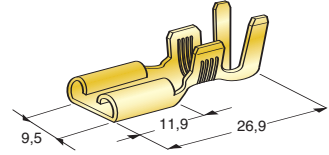
FASTON



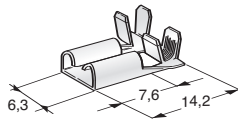
1



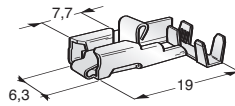
2



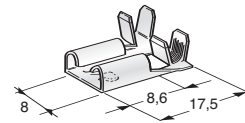
3



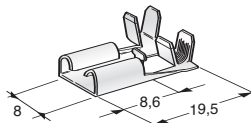
4



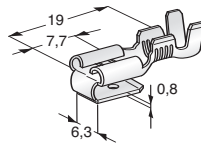
5



6



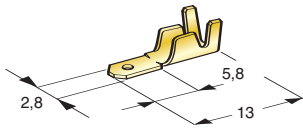
7



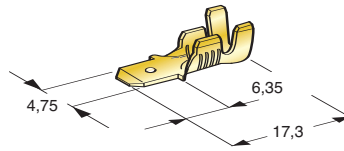
8

IMG	DESCRIPTION	WIRE SECTION mm ²	MATERIAL THICKNESS mm	MATERIAL	P/N BOX	M.O.Q.	P/N REEL	M.O.Q.
1	ANTISF F630	0,5÷1,5	0,4	CuZn-Sn	1107000	50		
	ANTISF F630	2,5÷4	0,4	CuZn-Sn	1107010	50		
2	F950 WITH LOCKING NOTCH	6÷10	0,4	CuZn-Sn	1101720	100		
3	F950 WITH LOCKING NOTCH	3÷6	0,5	CuZn	1301420	100	1901420 (Box)	3000
4	F630 FLAG	0,5÷1,5	0,4	CuZn-Sn			1701530	12000
5	ANTISF F630 FLAG	1÷2,5	0,4	CuZn-Sn	1107020	50		
6	F800 FLAG WITH LOCKING NOTCH	1÷2,5	0,4	CuZn-Sn	1101680	50		
7	F800 FLAG	1÷2,5	0,4	CuZn-Sn			1951145 (Box)	1000
8	630 2WAY	0,8÷2,5	0,4	CuZn-Sn	1301501	100	1901501 (Box)	5000

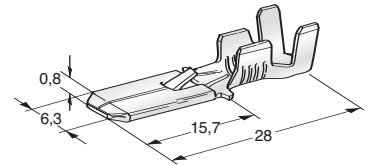
FASTON



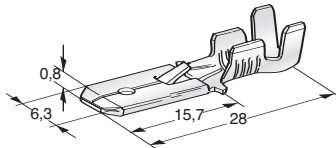
1



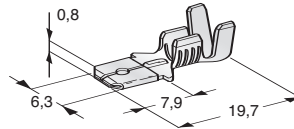
2



3



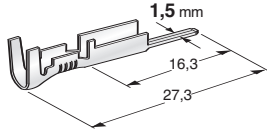
4



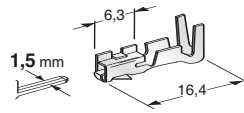
5

IMG	DESCRIPTION	WIRE SECTION mm ²	MATERIAL THICKNESS mm	MATERIAL	P/N BOX	M.O.Q.	P/N REEL	M.O.Q.
1	M280	0,5÷1	0,5	CuZn	1301418	200	1901418 (Box)	5000
2	M480	0,3÷1	0,5	CuZn	1301417	200	1901417 (Box)	5000
3	M630 WITH LOCKING NOTCH	0,75÷2	0,4	CuZn-Sn	1101660	100	1701660	3500
	M630 WITH LOCKING NOTCH	0,75÷2	0,4	CuZn	1301660	5000	1401660	4000
	M630 WITH LOCKING NOTCH	0,75÷2	0,4	CuZn	1901660	5000		
	M630 WITH LOCKING NOTCH	4÷6	0,4	CuZn-Sn	1101662	100		
4	M630 WITH LOCKING NOTCH	1÷2,5	0,4	CuZn	1301665	100	1901665 (Box)	5000
5	M630	0,5÷1	0,4	CuZn	1301411	100	1901411 (Box)	5000
		1÷2,5	0,4	CuZn-Sn	1101412	100	1701412	5000
		1÷2,5	0,4	CuZn-Sn	1951194	5000		
		1÷2,5	0,4	CuZn	1301412	100	1901412 (Box)	5000

FOR SEAL CONNECTORS



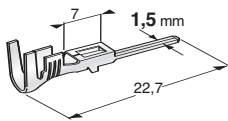
1



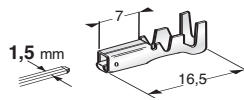
2



3



4



5



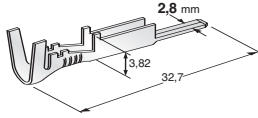
6



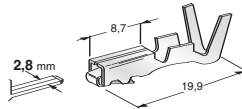
7

IMG	DESCRIPTION	WIRE SECTION mm ²	MATERIAL THICKNESS mm	MATERIAL	COLOUR	P/N BOX	M.O.Q.	P/N REEL	M.O.Q.
1	METRIPACK M150	0,5÷1	0,4	CuZn-Sn		1105510	100		
2	METRIPACK F150	0,5÷1	0,4	CuZn-Sn		1105500	100		
3	RUBBER	0,5÷1	-	Silicon	■ Red	4407530	100		
4	S-SEAL M150	1÷1,5	0,32	CuZn-Sn		1105550	100	1705550	4000
5	S-SEAL F150	1÷1,5	0,3	CuZn-Sn		1105560	100	1705560	3500
6	RUBBER	0,5÷1	-	Silicon	■ Yellow	4407740	100	4507740 (Box)	10000
7	CAVITY PLUG		-	Silicon	■ Red	4407750	100		

FOR SEAL CONNECTORS



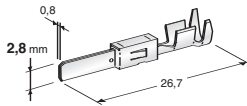
1



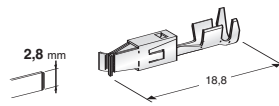
2



3



4



5



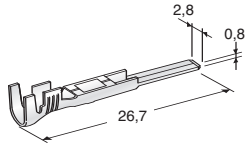
6



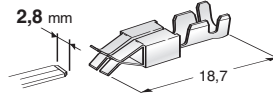
7

IMG	DESCRIPTION	WIRE SECTION mm ²	MATERIAL THICKNESS mm	MATERIAL	COLOUR	P/N BOX	M.O.Q.	P/N REEL	M.O.Q.
1	METRIPACK M280	1÷2,5	0,4	CuSn-Sn		1104500	50	1704500	3500
2	METRIPACK F280	1÷2,5	0,4	CuSn-Sn		1104510	100	1704510	3200
3	RUBBER	1÷2,5		Silicon	■ Green	4407510	100	4507510 (Box)	5000
4	JPT-WP M280	0,5÷1,5	0,32	CuSn-Sn		1108290	100		
	JPT-WP M280	1,5÷2,5	0,32	CuSn-Sn		1108300	100		
5	JPT-WP F280	0,5÷1	0,32	CuSn-Sn		1108260	100		
	JPT-WP F280	1÷2,5	0,32	CuSn-Sn		1108270	100		
6	RUBBER	0,5÷1		Silicon	■ Azure	4510662	100		
7	RUBBER	1,5÷2,5		Silicon	□ White	4510658	100		

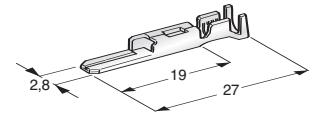
FOR SEAL CONNECTORS



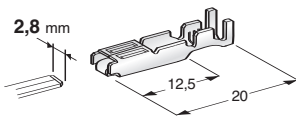
1



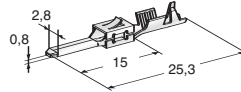
2



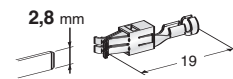
3



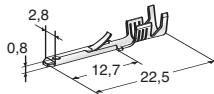
4



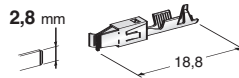
5



6



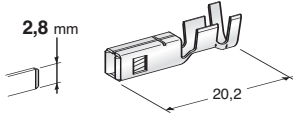
7



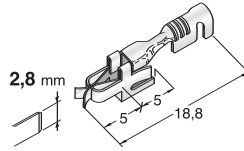
8

IMG	DESCRIPTION	WIRE SECTION mm ²	MATERIAL THICKNESS mm	MATERIAL	P/N BOX	M.O.Q.
1	JT M280	0,35÷1	0,32	CuSn-Sn	1108280	100
2	JT F280	0,5÷1,5	0,32	CuSn-Sn	1107210	200
	JT F280	1,5÷2,5	0,32	CuSn-Sn	1107211	100
3	MARK II M280	0,5÷1,5	0,40	CuSn-Sn	1102010	200
4	MARK II F280	0,5÷1,5	0,40	CuSn-Sn	1102000	100
5	M280	0,5÷1	0,30	CuFe-Sn	1108030	50
6	F280	0,5÷1	0,30	CuFe-Sn	1108050	100
7	DIN 46343 FOR CAR RADIO	0,5÷1	0,38	CuSn-Sn	1108060	100
8	JPT F280	0,2÷0,5	0,32	CuSn-Sn	1105615	100
	JPT F280	0,5÷1	0,32	CuSn-Sn	1105620	100
	JPT F280	1,5÷2,5	0,32	CuSn-Sn	1105630	100

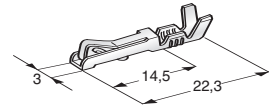
FOR SEAL CONNECTORS



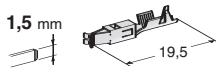
1



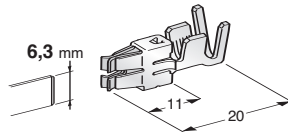
2



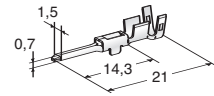
3



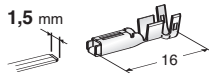
4



5



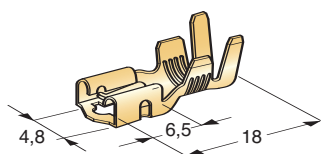
6



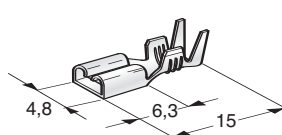
7

IMG	DESCRIPTION	WIRE SECTION mm ²	MATERIAL THICKNESS mm	MATERIAL	P/N BOX	M.O.Q.
1	SICMA2 F280	0,35÷0,75	0,35	CuZn-Sn	1105660	100
	SICMA2 F280	1÷2,5	0,35	CuZn-Sn	1105670	100
2	JPT F280	0,5÷1	0,40	CuZn-Sn	1107209	100
	JPT F280	1,5÷2,5	0,40	CuZn-Sn	1107212	100
3	MFS M150	0,5÷1	0,30	CuZn-Sn	1108010	100
4	MKF F150	0,5÷1	0,30	CuZn-Sn	1108020	100
5	STP F630	2,5÷4	0,40	CuZn-Sn	1102050	100
6	070 M150	0,75÷1,5	0,30	CuZn-Sn	1108080	100
7	070 F150	0,3÷0,5	0,32	CuZn-Sn	1107260	100
	070 F150	0,75÷1,5	0,30	CuZn-Sn	1108070	100

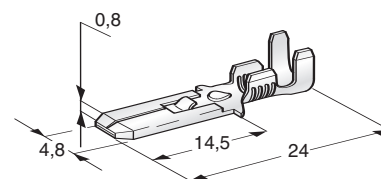
PITCH 5



1



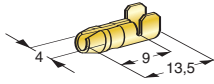
2



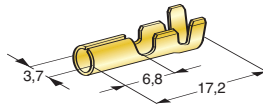
3

IMG	DESCRIPTION	WIRE SECTION mm ²	MATERIAL THICKNESS mm	MATERIAL	P/N BOX	M.O.Q.	P/N REEL	M.O.Q.
1	PITCH 5 F480	0,5÷1,5	0,28	CuZn			1401910	5000
2	PITCH 5 F480	0,5÷1,5	0,35	CuZn-Sn	1101940	100	1701940	12000
3	PITCH 5 M480 WITH LOCKING NOTCH	0,5÷1,5	0,40	CuZn-Sn	1101950	100		

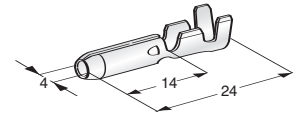
PIN



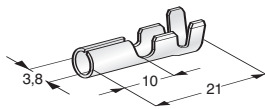
1



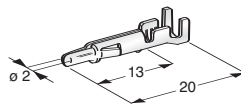
2



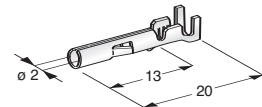
3



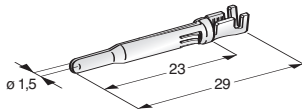
4



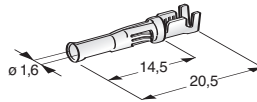
5



6



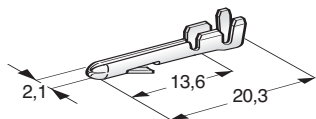
7



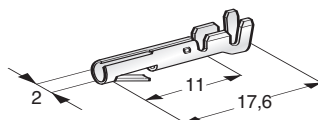
8

IMG	DESCRIPTION	WIRE SECTION mm ²	MATERIAL THICKNESS mm	MATERIAL	P/N BOX	M.O.Q.
1	PIN TERMINAL L13 M4	1÷2,5	0,40	CuZn	1201000	100
2	PIN TERMINAL L17 F4	1÷2,5	0,40	CuZn	1201070	100
3	PIN TERMINAL L24 F4	0,5÷2,5	0,40	CuZn	1201100	100
4	PIN TERMINAL L21 F4	0,5÷2,5	0,40	CuZn	1201110	100
5	MATE-N-LOCK M2	0,5÷2,5	0,30	CuZn-Sn	1201210	200
6	MATE-N-LOCK F2	0,5÷2,5	0,30	CuZn-Sn	1201200	200
7	ECONOSEAL M15	0,5÷1,5	0,30	CuZn-Sn	1201230	200
8	ECONOSEAL F15	0,5÷1,5	0,30	CuZn-Sn	1201220	200

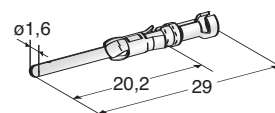
PIN



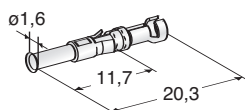
1



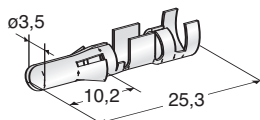
2



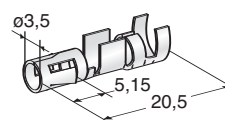
3



4



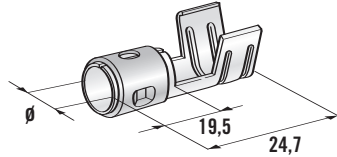
5



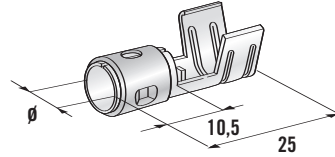
6

IMG	DESCRIPTION	WIRE SECTION mm ²	MATERIAL THICKNESS mm	MATERIAL	P/N BOX	M.O.Q.
1	PIN TERMINAL L20 M2.1 FOR WATER TEMPERATURE	0,5÷1	0,32	CuZn-Sn	1201150	200
2	PIN TERMINAL L17 F2	0,5÷1	0,32	CuZn-Sn	1201160	200
3	PIN TERMINAL L29 M1.6	0,5÷2	0,35	CuSn-Sn	1107960	100
4	PIN TERMINAL L20 F1.6	0,5÷1	0,35	CuSn-Sn	1107970	100
5	PIN TERMINAL L25 M3.5	2,5÷6	0,35	CuSn-Sn	1107980	50
	PIN TERMINAL L25 M3.5	1÷2,5	0,35	CuSn-Sn	1107990	50
6	PIN TERMINAL L20 F3.5	2,5÷6	0,35	CuSn-Sn	1108000	50

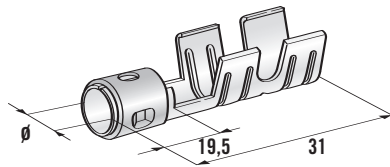
IGNITION CABLES



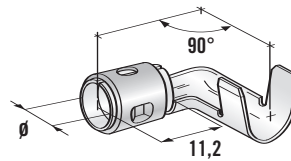
1



2



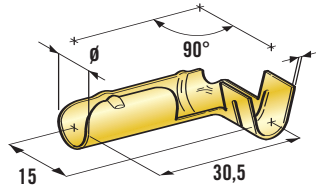
3



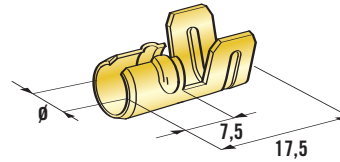
4

IMG	DESCRIPTION	WIRE SECTION mm ²	∅ mm	MATERIAL	MATERIAL THICKNESS mm	P/N REEL	M.O.Q.
1	PLUG TERMINAL WITH CLIP	7	6,2	St AISI 430	0,5	1400860	2000
2	PLUG TERMINAL WITH CLIP	7	6,2	St AISI 430	0,5	1400865	2000
3	PLUG TERMINAL WITH CLIP	7	6,2	St AISI 430	0,5	1400850	2000
4	PLUG TERMINAL 90° WITH CLIP	7	6,2	St AISI 430	0,5	1400862	1000

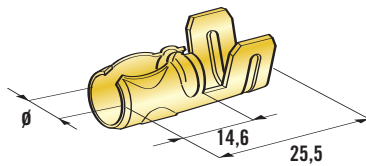
IGNITION CABLES



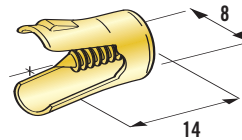
1



2



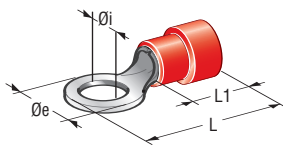
3



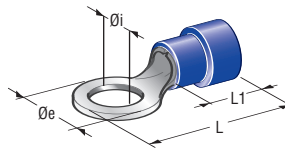
4

IMG	DESCRIPTION	WIRE SECTION mm ²	∅ mm	MATERIAL mm	MATERIAL THICKNESS mm	P/N BOX	M.O.Q.	P/N REEL	M.O.Q.
1	COIL - DISTRIBUTOR TERMINAL 90°	7	8,3	CuZn 67	0,5	1200880	100	1400880	1250
2	COIL - DISTRIBUTOR TERMINAL	7	6,2	CuZn 67	0,5			1400910	7500
3	COIL - DISTRIBUTOR TERMINAL	7	6,5	CuZn 67	0,5			1400920	2500
4	COIL - DISTRIBUTOR TERMINAL	7		CuZn 67	0,5	1200831	100		

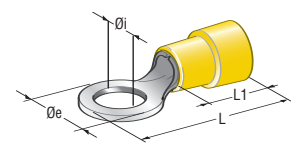
INSULATED



1



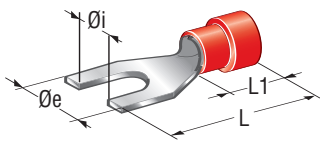
2



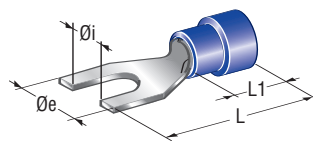
3

IMG	DESCRIPTION	WIRE SECTION mm ²	$\varnothing i$ mm	$\varnothing e$ mm	L mm	L ₁ mm	MATERIAL	MATERIAL THICKNESS mm	P/N BOX	M.O.Q.	P/N BULK	M.O.Q.
1	RING	0,25÷1	3,2	5,5	18,0	10,5	Cu-Sn PA66	0,75	1853050	100	1853059	1000
		0,25÷1	3,7	5,5	18,0	10,5	Cu-Sn PA66	0,75	1853060	100	1853069	1000
		0,25÷1	4,3	6,6	20,1	10,5	Cu-Sn PA66	0,75	1853070	100	1853079	1000
		0,25÷1	5,3	8,0	21,5	10,5	Cu-Sn PA66	0,75	1853150	100	1853159	1000
		0,25÷1	6,4	11,6	27,4	10,5	Cu-Sn PA66	0,75	1853200	100	1853209	1000
		0,25÷1	8,4	11,6	27,4	10,5	Cu-Sn PA66	0,75	1853250	100		
2	RING	1÷2,5	3,2	6,6	18,6	11,0	Cu-Sn PA66	0,80	1857050	100		
		1÷2,5	3,7	6,6	18,6	11,0	Cu-Sn PA66	0,80	1857060	100		
		1÷2,5	4,3	8,5	23,0	11,0	Cu-Sn PA66	0,80	1857100	100	1857109	1000
		1÷2,5	5,3	8,5	23,0	11,0	Cu-Sn PA66	0,80	1857150	100	1857159	1000
		1÷2,5	6,4	12,0	28,0	11,0	Cu-Sn PA66	0,80	1857200	100	1857209	1000
		1÷2,5	8,4	12,0	28,0	11,0	Cu-Sn PA66	0,80	1857250	100	1857259	1000
3	RING	2,5÷6	4,3	7,2	23,5	14,0	Cu-Sn PA66	1	1863100	50	1863109	1000
		2,5÷6	5,3	9,5	27,0	14,0	Cu-Sn PA66	1	1863150	50	1863159	1000
		2,5÷6	6,4	12,0	30,5	14,0	Cu-Sn PA66	1	1863200	50	1863209	500
		2,5÷6	8,4	15,0	35,2	14,0	Cu-Sn PA66	1	1863250	50	1863259	500
		2,5÷6	10,4	15,0	35,2	14,0	Cu-Sn PA66	1	1863300	50	1863309	500

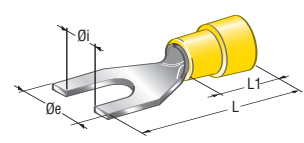
INSULATED



1



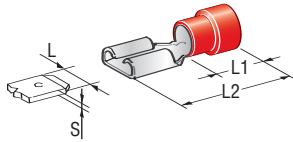
2



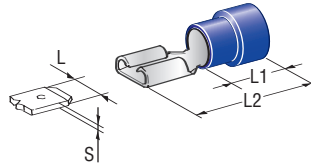
3

IMG	DESCRIPTION	WIRE SECTION mm ²	$\varnothing i$ mm	$\varnothing e$ mm	L mm	L ₁ mm	MATERIAL	MATERIAL THICKNESS mm	P/N BOX	M.O.Q.	P/N BULK	M.O.Q.
1	FORK	0,25÷1	3,7	6,4	21,5	10,5	Cu-Sn PA66	0,75			1865069	1000
		0,25÷1	4,3	6,4	21,5	10,5	Cu-Sn PA66	0,75	1865100	100	1865109	1000
		0,25÷1	5,3	9,5	22,2	10,5	Cu-Sn PA66	0,75	1865200	100	1865209	1000
2	FORK	1÷2,5	4,3	6,4	22,7	11	Cu-Sn PA66	0,80	1866100	100	1866109	1000
		1÷2,5	5,3	9,5	22,7	11	Cu-Sn PA66	0,80	1866200	100	1866209	1000
		1÷2,5	6,4	12,0	28,4	11	Cu-Sn PA66	0,80	1866300	100	1866309	1000
3	FORK	2,5÷6	4,3	8,3	27,0	14	Cu-Sn PA66	1	1867000	50	1867009	1000
		2,5÷6	5,3	9,5	26,7	14	Cu-Sn PA66	1	1867100	50	1867109	1000
		2,5÷6	6,4	12,0	32,7	14	Cu-Sn PA66	1	1867200	50	1867209	1000

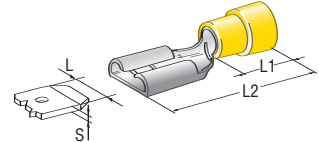
INSULATED



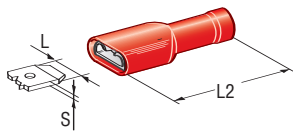
1



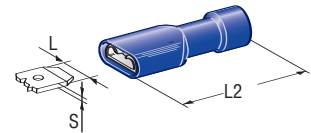
2



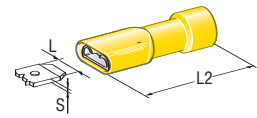
3



4



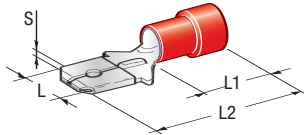
5



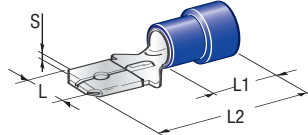
6

IMG	DESCRIPTION	WIRE SECTION mm ²	S mm	L mm	L ₁ mm	L ₂ mm	MATERIAL	MATERIAL THICKNESS mm	P/N BOX	M.O.Q.	P/N BULK	M.O.Q.
1	PUSH ON	0,25÷1	0,5	2,8	10,0	18,5	CuZn-Sn PVC	0,30	1850200	100	1850209	1000
		0,25÷1	0,8	2,8	10,0	18,5	CuZn-Sn PVC	0,30	1850400	100	1850409	1000
		0,25÷1	0,5	4,7	10,0	19,0	CuZn-Sn PVC	0,40	1850500	100	1850509	1000
		0,25÷1	0,8	4,7	10,0	19	CuZn-Sn PVC	0,40	1850300	100	1850309	1000
		0,25÷1	0,8	6,3	12,0	21	CuZn-Sn PVC	0,40	1851000	100	1851009	1000
2	PUSH ON	1÷2,5	0,5	2,8	10,0	19	CuZn-Sn PVC	0,30	1854200	100		
		1÷2,5	0,8	2,8	10,0	19	CuZn-Sn PVC	0,30	1854400	100	1854409	1000
		1÷2,5	0,5	4,7	10,0	19	CuZn-Sn PVC	0,40	1854500	100		
		1÷2,5	0,8	4,7	10,0	19	CuZn-Sn PVC	0,40	1854300	100	1854309	1000
		1÷2,5	0,8	6,3	12,0	21,0	CuZn-Sn PVC	0,40	1855000	100	1855009	1000
3	PUSH ON	2,5÷6	0,8	6,3	13,0	22,4	CuZn-Sn PVC	0,40	1861000	50	1861009	500
		2,5÷6	1,1	9,5	14,0	30,0	CuZn-Sn PVC	0,40	1863000	50	1863009	500
4	PUSH ON	0,25÷1	0,5	4,7	-	21,5	CuZn-Sn PVC	0,40	1851400	100	1851409	1000
		0,25÷1	0,8	6,3	-	23,5	CuZn-Sn PVC	0,40	1851500	100	1851509	1000
5	PUSH ON	1÷2,5	0,5	4,7	-	21,5	CuZn-Sn PVC	0,40	1855400	100		
		1÷2,5	0,8	6,3	-	23,5	CuZn-Sn PVC	0,40	1855500	100	1855509	1000
6	PUSH ON	2,5÷6	0,8	6,3	-	24,0	CuZn-Sn PVC	0,40	1860500	50	1860509	500

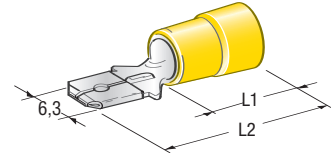
INSULATED



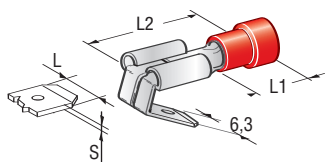
1



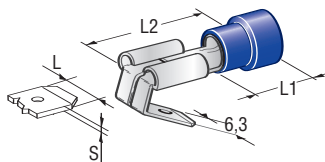
2



3



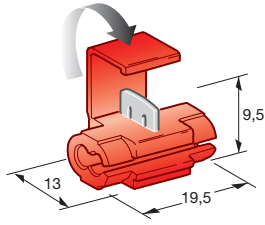
4



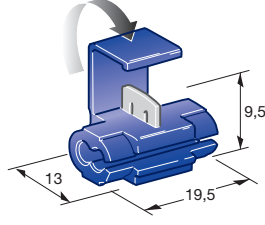
5

IMG	DESCRIPTION	WIRE SECTION mm ²	S mm	L mm	L ₁ mm	L ₂ mm	MATERIAL	MATERIAL THICKNESS mm	P/N BOX	M.O.Q.	P/N BULK	M.O.Q.
1	PUSH ON	0,25÷1	-	2,8	10	17,0	CuZn-Sn PVC	0,80	1850450	100	1850459	1000
		0,25÷1	-	4,7	10	19,5	CuZn-Sn PVC	0,50	1850550	100	1850559	1000
		0,25÷1	-	4,7	10	19,5	CuZn-Sn PVC	0,80			1850359	1000
2	PUSH ON	0,25÷1	-	6,3	12	21,0	CuZn-Sn PVC	0,80	1852000	100	1852009	1000
		1÷2,5	-	4,7	10	19,5	CuZn-Sn PVC	0,50	1854550	100	1854559	1000
		1÷2,5	-	4,7	10	19,5	CuZn-Sn PVC	0,80	1854350	100	1854359	1000
3	PUSH ON	1÷2,5	-	6,3	12	21,0	CuZn-Sn PVC	0,80	1856000	100	1856009	1000
		2,5÷6	-	6,3	13	22,5	CuZn-Sn PVC	0,80	1862000	100	1862009	500
		0,25÷1	0,8	6,3	10	20,8	CuZn-Sn PVC	0,40	1852500	50	1852509	1000
5	PIGGY BACK	1÷2,5	0,8	6,3	10	20,8	CuZn-Sn PVC	0,40	1862500	50	1862509	1000

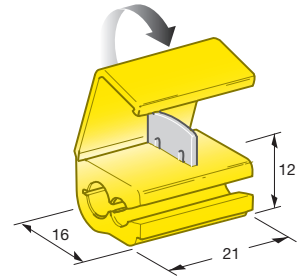
INSULATED



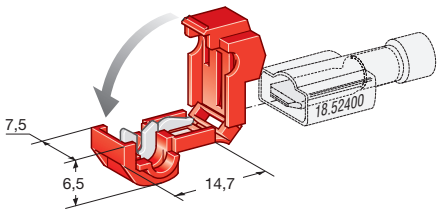
1



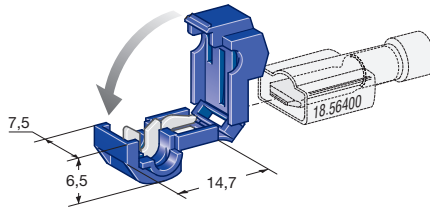
2



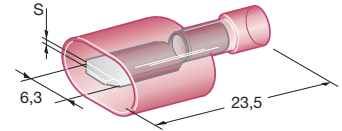
3



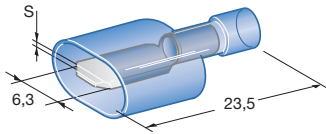
4



5



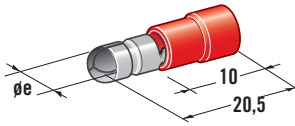
6



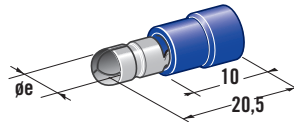
7

IMG	DESCRIPTION	WIRE SECTION mm ²	MATERIAL	MATERIAL THICKNESS mm	P/N BOX	M.O.Q.	P/N BULK	M.O.Q.
1	SELF-STRIPPING	0,25÷1	CuZn-Sn PP	-	4410090	100	4510090	10000
2	SELF-STRIPPING	1÷2,5	CuZn-Sn PP	-	4410091	100	4510091	10000
3	SELF-STRIPPING	2,5÷6	CuZn-Sn PP	-	4410092	50	4510092	5000
4	T-CONNECTIONS	0,25÷1	CuZn-Sn PA66 V094	-	4410096	50	4510096	1000
5	T-CONNECTIONS	1÷2,5	CuZn-Sn PA66 V094	-	4410097	100		
6	M630	0,25÷1	CuZn-Sn PVC	0,80	1852400	50	1852409	1000
7	M630	1÷2,5	CuZn-Sn PVC	0,80	1856400	50	1856409	1000

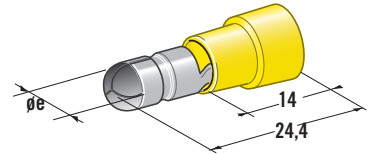
INSULATED



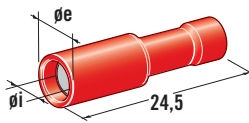
1



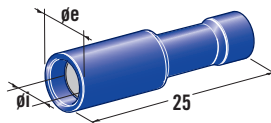
2



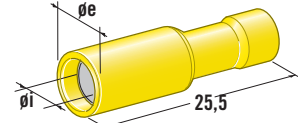
3



4



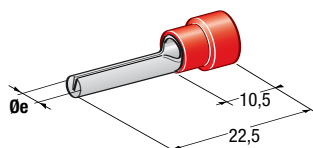
5



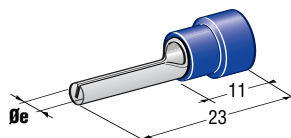
6

IMG	DESCRIPTION	WIRE SECTION mm ²	∅ i mm	∅ e mm	MATERIAL	MATERIAL THICKNESS mm	P/N BOX	M.O.Q.	P/N BULK	M.O.Q.
1	MALE BULLET	0,25÷1	-	4,0	CuZn-Sn PVC	0,40	1864000	100	1864009	1000
2	MALE BULLET	1÷2,5	-	4,0	CuZn-Sn PVC	0,40	1864300	100	1864309	1000
		1÷2,5	-	5,0	CuZn-Sn PVC	0,40	1864500	100	1864509	1000
3	MALE BULLET	2,5÷6	-	5,0	CuZn-Sn PVC	0,40	1864700	100		
4	FEMALE BULLET	0,25÷1	3,86	6,3	CuZn-Sn PVC	0,40	1864100	100	1864109	1000
5	FEMALE BULLET	1÷2,5	3,86	6,3	CuZn-Sn PVC	0,40	1864400	100	1864409	1000
		1÷2,5	4,85	7,0	CuZn-Sn PVC	0,40	1864600	50	1864609	1000
6	FEMALE BULLET	2,5÷6	4,85	7,0	CuZn-Sn PVC	0,40	1864800	50		

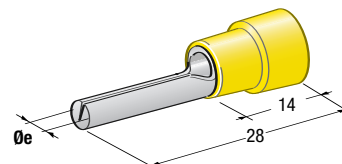
INSULATED



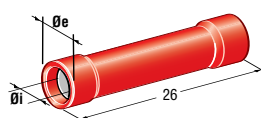
1



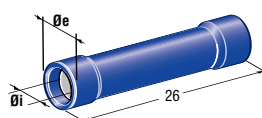
2



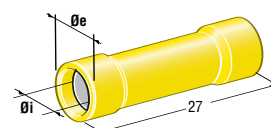
3



4



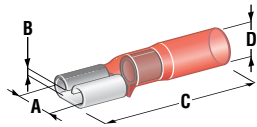
5



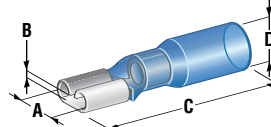
6

IMG	DESCRIPTION	WIRE SECTION mm ²	$\varnothing i$ mm	$\varnothing e$ mm	MATERIAL	MATERIAL THICKNESS mm	P/N BOX	M.O.Q.	P/N BULK	M.O.Q.
1	PIN	0,25÷1	-	1,9	CuZn-Sn PA66	0,75	1869000	100	1869009	1000
2	PIN	1÷2,5	-	1,9	CuZn-Sn PA66	0,80	1869100	100	1869109	3000
3	PIN	2,5÷6	-	2,7	CuZn-Sn PA66	1	1869200	100		
4	BUTT	0,25÷1	1,70	4,0	CuZn-Sn PVC	0,40	1868000	100	1868009	1000
5	BUTT	1÷2,5	2,30	4,6	CuZn-Sn PVC	0,40	1868100	100	1868109	1000
6	BUTT	2,5÷6	3,40	6,4	CuZn-Sn PVC	0,40	1868200	50	1868209	500

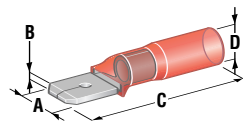
HEAT SHRINK



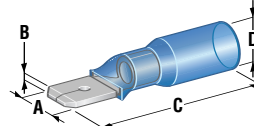
1



2



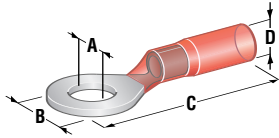
3



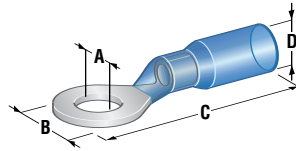
4

IMG	DESCRIPTION	WIRE SECTION mm ²	A mm	B mm	C mm	D mm	MATERIAL	MATERIAL THICKNESS mm	P/N BOX	M.O.Q.
1	HEAT SHRINK WP F630	0,25÷1	6,35	0,8	27	4,2	CuZn-Sn PE	0,40	1880300	100
2	HEAT SHRINK WP F630	1,25÷2,5	6,35	0,8	28	4,9	CuZn-Sn PE	0,40	1880310	100
3	HEAT SHRINK WP M630	0,75÷1,25	6,35	0,8	27	4,2	CuZn-Sn PE	-	1880280	100
4	HEAT SHRINK WP M630	1,25÷2,5	6,35	0,8	28	4,9	CuZn-Sn PE	-	1880290	100

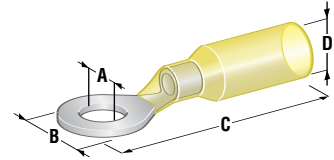
HEAT SHRINK



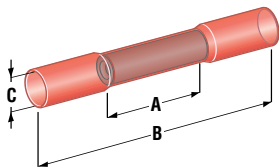
1



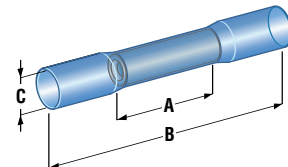
2



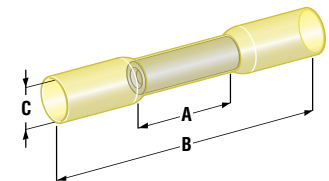
3



4



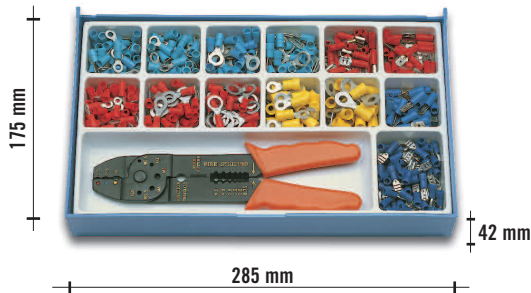
5



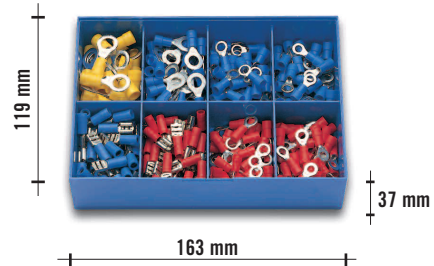
6

IMG	DESCRIPTION	WIRE SECTION mm ²	A mm	B mm	C mm	D mm	MATERIAL	MATERIAL THICKNESS mm	P/N BOX	M.O.Q.
1	RING	0,75÷1,25	5,30	8,0	27	4,2	Cu-Sn PE	0,8	1880020	100
		0,75÷1,25	6,40	12,0	31	4,2	Cu-Sn PE	0,8	1880030	100
		0,75÷1,25	8,40	12,0	31	4,2	Cu-Sn PE	0,8	1880040	100
		1,25÷2,50	4,30	8,5	28	4,9	Cu-Sn PE	0,8	1880060	100
2	RING	1,25÷2,50	5,30	9,5	29	4,9	Cu-Sn PE	0,8	1880070	100
		1,25÷2,50	6,40	12,0	33	4,9	Cu-Sn PE	0,8	1880080	100
		1,25÷2,50	8,40	12,0	34	4,9	Cu-Sn PE	0,8	1880090	100
		1,25÷2,50	10,50	15,0	37	4,9	Cu-Sn PE	0,8	1880100	100
3	RING	2,5÷6	5,30	9,5	34	6,4	Cu-Sn PE	1,0	1880120	50
		2,5÷6	6,40	12,0	37	6,4	Cu-Sn PE	1,0	1880130	50
		2,5÷6	8,40	15,0	43	6,4	Cu-Sn PE	1,0	1880140	50
		2,5÷6	10,50	15,0	43	6,4	Cu-Sn PE	1,0	1880150	50
4	BUTT	0,75÷1,25	15,00	37,0	4,2	-	Cu-Sn PE	0,8	1880230	100
5	BUTT	1,25÷2,50	15,00	37,0	4,9	-	Cu-Sn PE	0,8	1880240	100
6	BUTT	2,5÷6	15,00	41,0	6,4	-	Cu-Sn PE	0,8	1880250	50

KITS



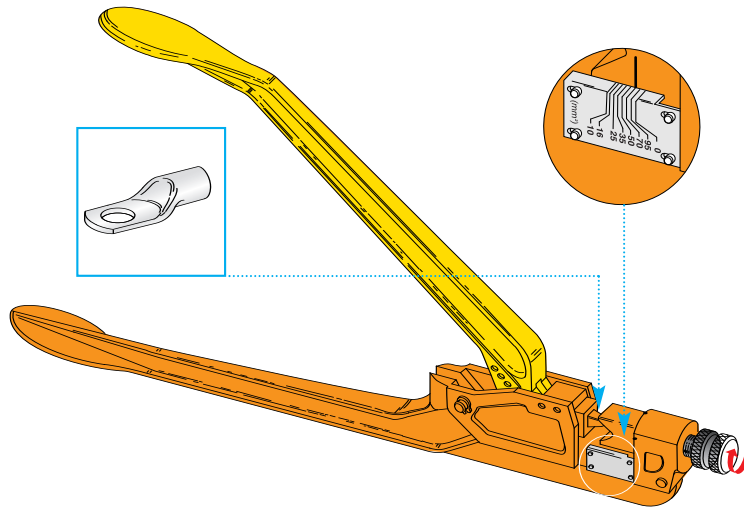
1



2

IMG	DESCRIPTION	PCS	COLOUR		P/N BOX	M.O.Q.
1	RING TERMINAL \varnothing 4,3	50	Red		1860000	1
	RING TERMINAL \varnothing 5,3	50	Red			
	RING TERMINAL \varnothing 6,4	40	Red			
	RING TERMINAL \varnothing 4,3	50	Blue			
	RING TERMINAL \varnothing 5,3	40	Blue			
	RING TERMINAL \varnothing 6,4	40	Blue			
	RING TERMINAL \varnothing 8,4	30	Blue			
	RING TERMINAL \varnothing 6,4	20	Yellow			
	RING TERMINAL \varnothing 8,4	20	Yellow			
	MALE TERMINAL 6,3	40	Red			
	MALE TERMINAL 6,3	40	Blue			
	FEMALE TERMINAL 6,3	40	Red			
	FEMALE TERMINAL 6,3	70	Blue			
	CRIMPING TOOL 9602460	1				
2	RING TERMINAL \varnothing 4,3	40	Red		1606855	1
	RING TERMINAL \varnothing 5,3	40	Red			
	RING TERMINAL \varnothing 4,3	40	Blue			
	RING TERMINAL \varnothing 5,3	40	Blue			
	RING TERMINAL \varnothing 6,4	40	Blue			
	RING TERMINAL \varnothing 8,4	25	Yellow			
	FEMALE TERMINAL 6,3	40	Red			
	FEMALE TERMINAL 6,3	40	Blue			

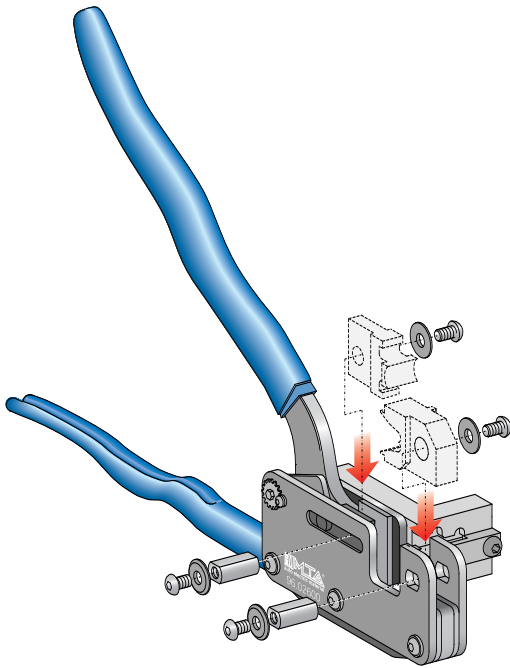
TUBULAR TERMINALS



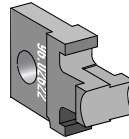
1

IMG	DESCRIPTION	WIRE SECTION mm ²	LENGTH mm	WEIGHT g	P/N BOX	M.O.Q.
1	TOOL FOR TUBULAR TERMINALS	10÷95	565÷585	2916	9602490	1

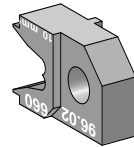
POWER TERMINALS



1



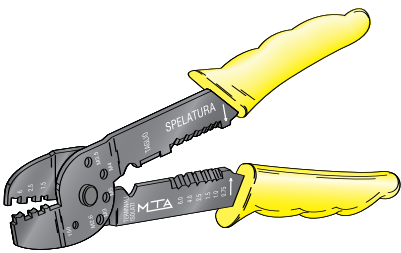
2



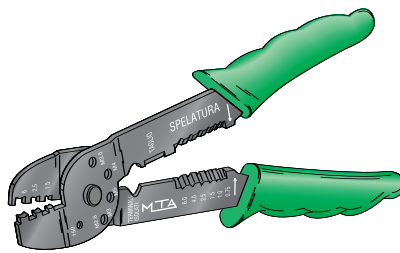
2a

IMG	DESCRIPTION	LENGTH mm	WEIGHT g	P/N BOX	M.O.Q.
1	TOOL FOR POWER TERMINALS	345	1085,00	9602610	1
IMG	DESCRIPTION	WIRE SECTION mm ²	P/N BOX	M.O.Q.	
2	ANVIL FOR 1107675 + 1107700	4	9602622	1	
2a	PUNCH FOR 1107675 + 1107700	4	9602660	1	
2	ANVIL FOR 1107685 + 1107710	6÷8	9602621	1	
2a	PUNCH FOR 1107685 + 1107710	6÷8	9602670	1	
2	ANVIL FOR 1107690+1107720	10	9602621	1	
2a	PUNCH FOR 1107690+1107720	10	9602690	1	
2	ANVIL FOR 1107690+1107720	16	9602621	1	
2a	PUNCH FOR 1107690+1107720	16	9602691	1	
2	ANVIL FOR 1107660	4	9602620	1	
2a	PUNCH FOR 1107660	4	9602660	1	
2	ANVIL FOR 1107660	6	9602620	1	
2a	PUNCH FOR 1107660	6	9602661	1	
2	ANVIL FOR 1107670	8÷10	9602621	1	
2a	PUNCH FOR 1107670	8÷10	9602670	1	
2	ANVIL FOR 1107671	16	9602621	1	
2a	PUNCH FOR 1107671	16	9602671	1	

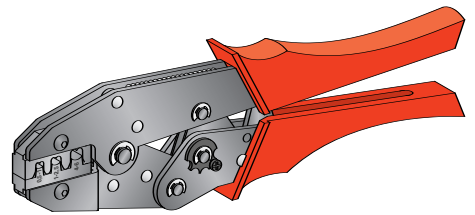
TERMINALS



1



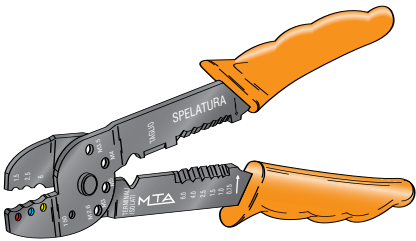
2



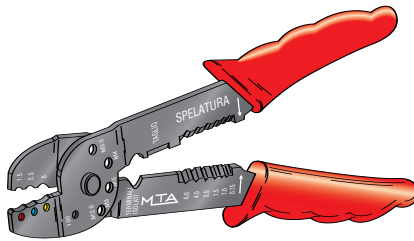
3

IMG	DESCRIPTION	WIRE SECTION mm ²	P/N BOX	M.O.Q.
1	CRIMPING TOOL	1,5÷6	9602450	1
2	CRIMPING TOOL - PROFESSIONAL TYPE	1,5÷6	9602454	1
3	CRIMPING TOOL - PROFESSIONAL TYPE	0,5÷6	9602455	1

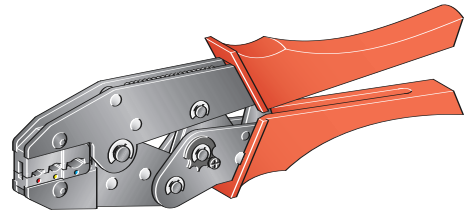
INSULATED TERMINALS



1



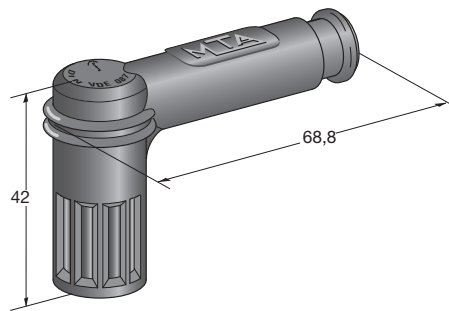
2



3

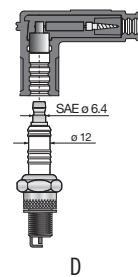
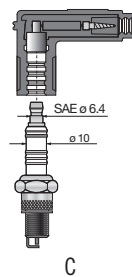
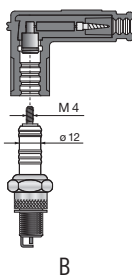
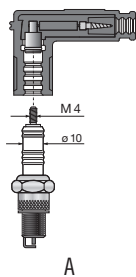
IMG	DESCRIPTION	WIRE SECTION mm ²	P/N BOX	M.O.Q.
1	CRIMPING TOOL	0,25÷6	9602460	1
2	CRIMPING TOOL - PROFESSIONAL TYPE	0,25÷6	9602464	1
3	CRIMPING TOOL - PROFESSIONAL TYPE	0,25÷6	9602500	1

SPARK PLUGS

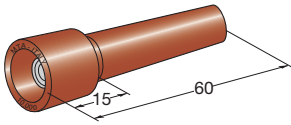


1

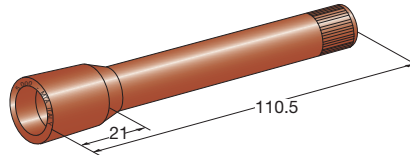
IMG	DESCRIPTION	SPARK PLUG	RESISTANCE	MATERIAL	COLOUR	P/N BOX	M.O.Q.	P/N BULK	M.O.Q.
1	SPARK PLUG	A	5000 Ω	EPDM	■ Black	1000900	5	1900900	500
	SPARK PLUG	D	5000 Ω	EPDM	■ Blue	1000910	5	1900910	500
	SPARK PLUG	B	5000 Ω	EPDM	■ Black			1900920	500
	SPARK PLUG	C	5000 Ω	EPDM	■ Black	1000930	5	1900930	500
	SPARK PLUG	C	5000 Ω	EPDM	■ Red			1900940	500



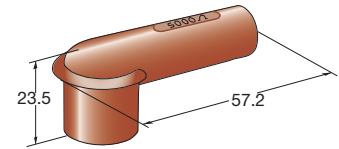
SPARK PLUGS



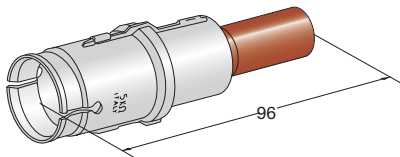
1



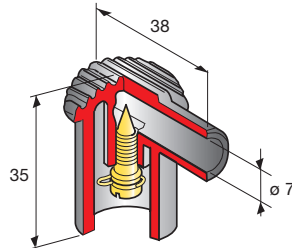
2



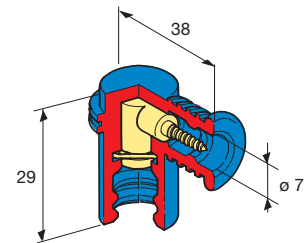
3



4

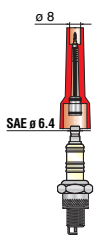


5



6

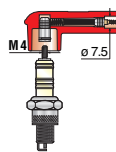
IMG	DESCRIPTION	MATERIAL	RESISTANCE Ω	CABLE mm	P/N BOX	M.O.Q.
1	SUPPRESSOR WITH WIRE WOUND RESISTOR	PBT GF20	5000	-	1000618	50
2	SUPPRESSOR WITH WIRE WOUND RESISTOR	PBT GF20	5000	-	1000718	25
3	SUPPRESSOR WITH WIRE WOUND RESISTOR	PBT GF20	1000	-	1000724	30
	SUPPRESSOR WITH CARBON RESISTOR	PBT GF20	5000	-	1000613	30
4	SUPPRESSOR WITH WIRE WOUND RESISTOR	PBT GF30 V0	10000	-	1000748	10
5	SPARK PLUG WITH CARBON RESISTOR	PVC CuZn	-	7	1200580	50
6	SPARK PLUG WITH CARBON RESISTOR	EPDM CuZn	-	7	1200590	50
	SPARK PLUG WITH WIRE WOUND RESISTOR	EPDM CuZn	-	7	1900590	1000



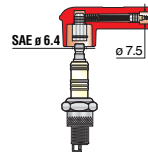
1000618



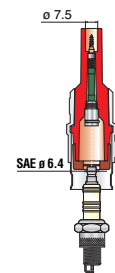
1000718



1000724

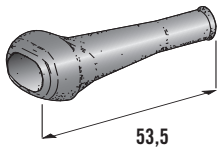


1000613

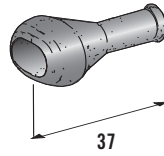


1000748

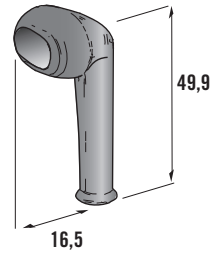
CAPS



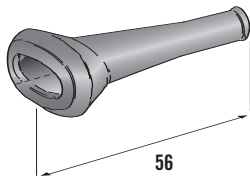
1



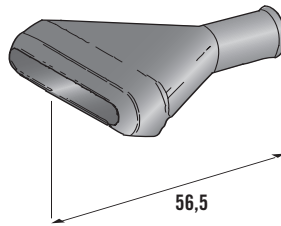
2



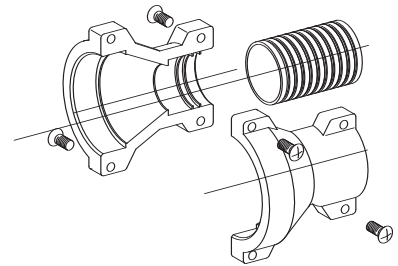
3



4



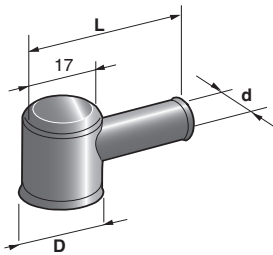
5



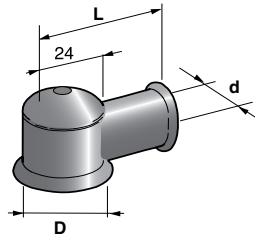
6

IMG	DESCRIPTION	WAY	∅ mm	MATERIAL	COLOUR	P/N BOX	M.O.Q.	P/N BULK	M.O.Q.
1	CAP FOR CONNECTOR JT	2		Rubber	■ Black	4420901	10	4520901	500
2	CAP FOR CONNECTOR JT	2		Rubber	■ Black	4420902	10	4520902	500
3	CAP FOR CONNECTOR JPT	2		Rubber	■ Black	4420911	10	4520911	500
4	CAP FOR CONNECTOR JPT	3		Rubber	■ Black	4420921	10	4520921	500
5	CAP FOR CONNECTOR JT	7		Rubber	■ Black	4420931	5	4520931	500
6	ADAPTOR FOR CONNECTORS		44,6	PA66	■ Black			4551575	500

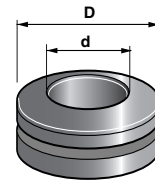
CAPS



1



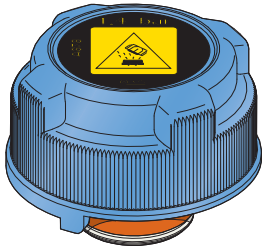
2



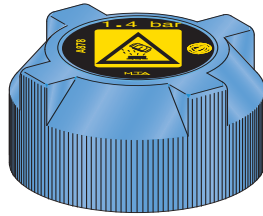
3

IMG	DESCRIPTION	L	d	D	MATERIAL	COLOUR	P/N BOX	M.O.Q.	P/N BULK	M.O.Q.
1	CAP	37	6	11	PVC	■Black			4410300	100
	CAP	41	7,5	15	PVC	■Black			4410310	100
	CAP	61	9	16	PVC	■Black			4410320	100
2	ALTERNATOR CAP	48	11	21	CR60	■Black	4410400	10	4510400	500
3	FAIRLEAD		7	16	PVC	■Black			4410350	250
	FAIRLEAD		9	16,5	PVC	■Black			4410360	250

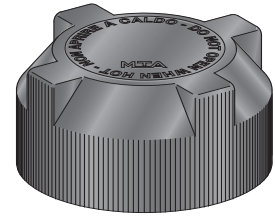
RADIATOR CAPS



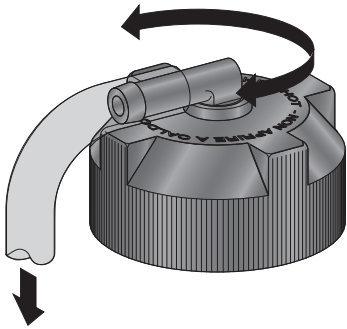
1



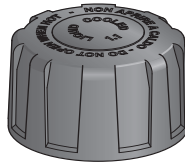
2



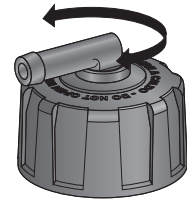
3



4

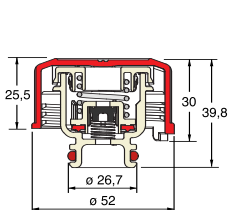


5

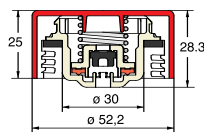


6

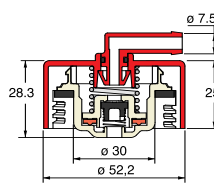
IMG	DESCRIPTION	PRESSION BAR	DEPRESSION BAR	MATERIAL	COLOUR	P/N BOX	M.O.Q.	P/N BULK	M.O.Q.
1	RADIATOR CAP	1	0,04 - 0,10	PP GF30	Blue			5056005	500
	RADIATOR CAP	1,4	0,04 - 0,10	PP GF30	Blue	5014877	1	5056000	500
2	RADIATOR CAP	1	0,04 - 0,10	PP GF30	Black	5014862	1	5050123	200
	RADIATOR CAP	1,4	0,04 - 0,10	PP GF30	Blue	5014873	1	5050103	200
3	RADIATOR CAP	1	0,04 - 0,10	PP GF30	Black	5014861	1	5114861	200
	RADIATOR CAP	1,2	0,04 - 0,10	PP GF30	Black			5050124	200
4	RADIATOR CAP	0,5	0,04 - 0,10	PP GF30	Black	5014900	1	5050090	200
	RADIATOR CAP	1	0,04 - 0,10	PP GF30	Black	5014901	1	5114901	200
	RADIATOR CAP	1,4	0,04 - 0,10	PP GF30	Blue			5050108	200
5	RADIATOR CAP	0,9	0,04 - 0,10	PP GF30	Black		1	5050097	270
	RADIATOR CAP	1,1	0,04 - 0,10	PP GF30	Black			5050121	270
6	RADIATOR CAP	1,1	0,04 - 0,10	PP GF30	Black	5014876	1	5050116	270



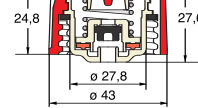
1



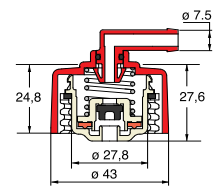
2+3



4

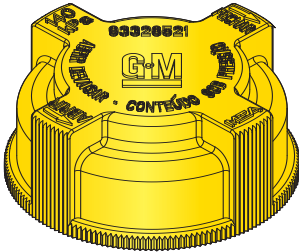


5

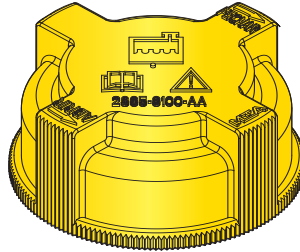


6

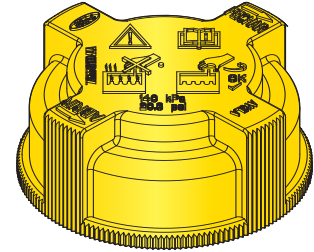
RADIATOR CAPS



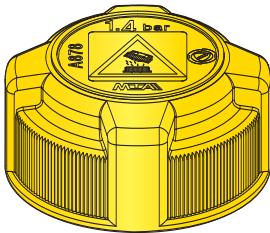
1



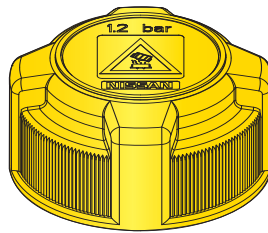
2



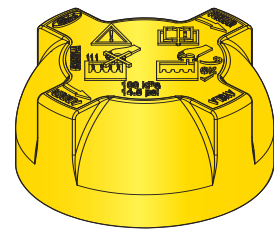
3



4



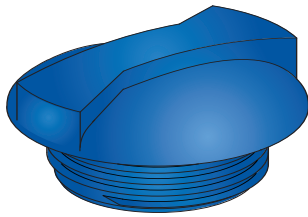
5



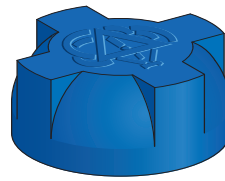
6

IMG	DESCRIPTION	PRESSION BAR	DEPRESSION BAR	MATERIAL	COLOUR	P/N	M.O.Q.
1	RADIATOR CAP GM	1,4	0,15 Max	PP GF30	Yellow	5050140	500
2	RADIATOR CAP FORD	1,4	0,04 - 0,10	PP GF30	Yellow	5050143	500
3	RADIATOR CAP FORD	1,4	0,04 - 0,10	PP GF30	Yellow	5050147	500
4	RADIATOR CAP FIAT	1,0	0,04 - 0,10	PP GF30	Yellow	5050126	500
	RADIATOR CAP FIAT	1,4	0,04 - 0,10	PP GF30	Yellow	5050127	500
5	RADIATOR CAP NISSAN	1,2	0,04 - 0,10	PP GF30	Yellow	5050227	500
6	RADIATOR CAP FORD TRUCK	1,0	0,15 Max	PP GF30	Yellow	5050136	500

RADIATOR CAPS



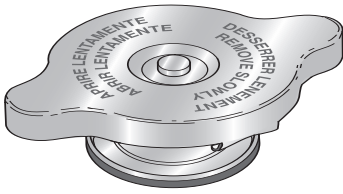
1



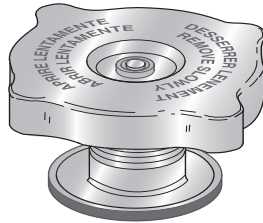
2

IMG	DESCRIPTION	PRESSION BAR	MATERIAL	COLOUR	P/N BULK	M.O.Q.
1	RADIATOR CAP VOLKSWAGEN - SEAT	1,4	PP GF30	■ Blue	5014868	1
1	RADIATOR CAP AUDI - VOLKSWAGEN	1,2	PP GF30	■ Blue	5014867	1

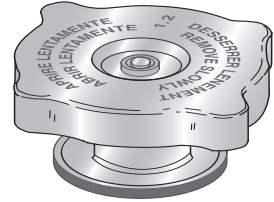
RADIATOR CAPS



1



2



3

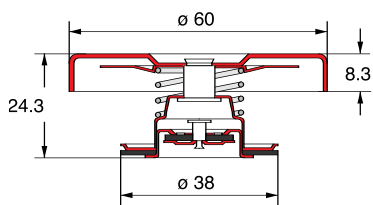


4

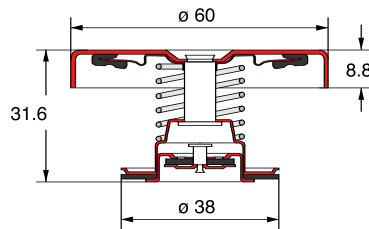


5

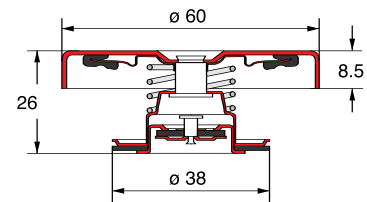
IMG	DESCRIPTION	PRESSION BAR	DEPRESSION BAR	MATERIAL	P/N	M.O.Q.
1	RADIATOR CAP	0,35	0,01+0,04	COMPONENTS AND SPRING INOX STEEL	5014490	10
		0,7	0,01+0,03	COMPONENTS AND SPRING INOX STEEL	5014731	10
2	SEALED RADIATOR CAP	0,7	0,01+0,03	COMPONENTS AND SPRING INOX STEEL	5014750	10
3	SEALED RADIATOR CAP	0,35	0,01+0,04	COMPONENTS AND SPRING INOX STEEL	5014740	10
		1	0,01+0,03	COMPONENTS AND SPRING INOX STEEL	5014730	10
4	RADIATOR CAP	0,91	-	COMPONENTS AND SPRING INOX STEEL	5014810	1
5	RADIATOR CAP	1,12	-	COMPONENTS AND SPRING INOX STEEL	5014830	1



1

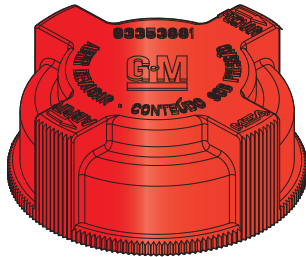


2

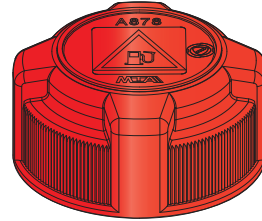


3

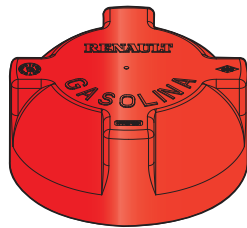
GASOLINE CAPS



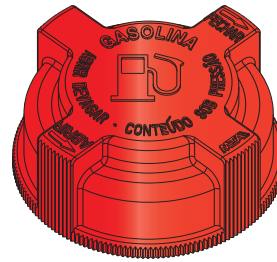
1



2



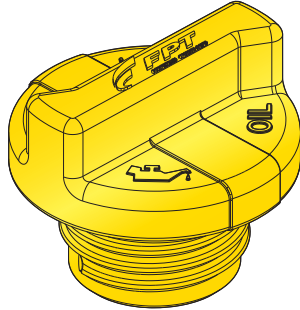
3



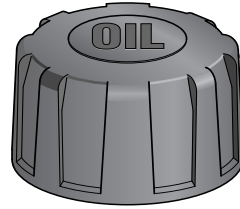
4

IMG	DESCRIPTION	PRESSION BAR	DEPRESSION BAR	MATERIAL	COLOUR	P/N	M.O.Q.
1	GASOLINE CAP GM	0,35	0,08 Max	PP GF30	■ Red	5050128	500
2	GASOLINE CAP FIAT	0,6	0,04 - 0,10	PP GF30	■ Red	5051108	500
3	GASOLINE CAP RENAULT	0,6	0,04 - 0,10	PP GF30	■ Red	5051137	500
4	GASOLINE CAP PSA	1,4	0,08 Max	PP GF30	■ Red	5050135	500

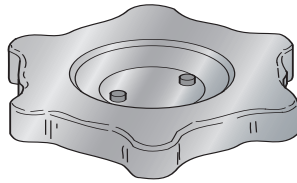
OIL CAPS



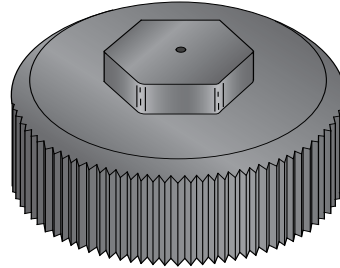
1



2



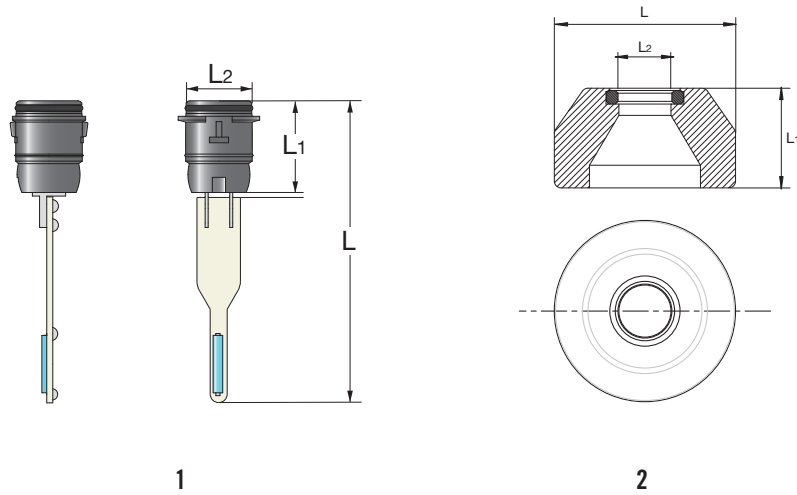
3



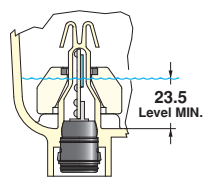
4

IMG	DESCRIPTION	MATERIAL	COLOUR	P/N	M.O.Q.
1	OIL CAP FIAT/FORD	PP GF30	■ Yellow	5050133	500
2	VENTED OIL CAP PIAGGIO	PP GF30		5050106	270
3	OIL SUMP CAP WITHOUT BREATHER PIPE FIAT UNIVERSAL	FE-Zn (T)	■ Black	5415400	10
4	DIESEL OIL TANK FOR TRUCKS	PP	■ Black	5515870	5

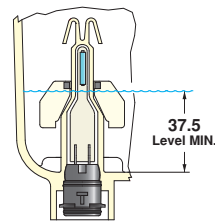
LEVEL SENSORS



IMG	DESCRIPTION	TYPE mm	L mm	L ₁ mm	L ₂	MATERIAL	P/N	M.O.Q.
1	LEVEL SENSOR	A	58,15	24,25	17,35	PA66	7050090	600
	LEVEL SENSOR	B	79,65	24,25	17,35	PA66	7050091	400
2	FLOAT	A-B	40	22	11,5	PP	7057091	1000

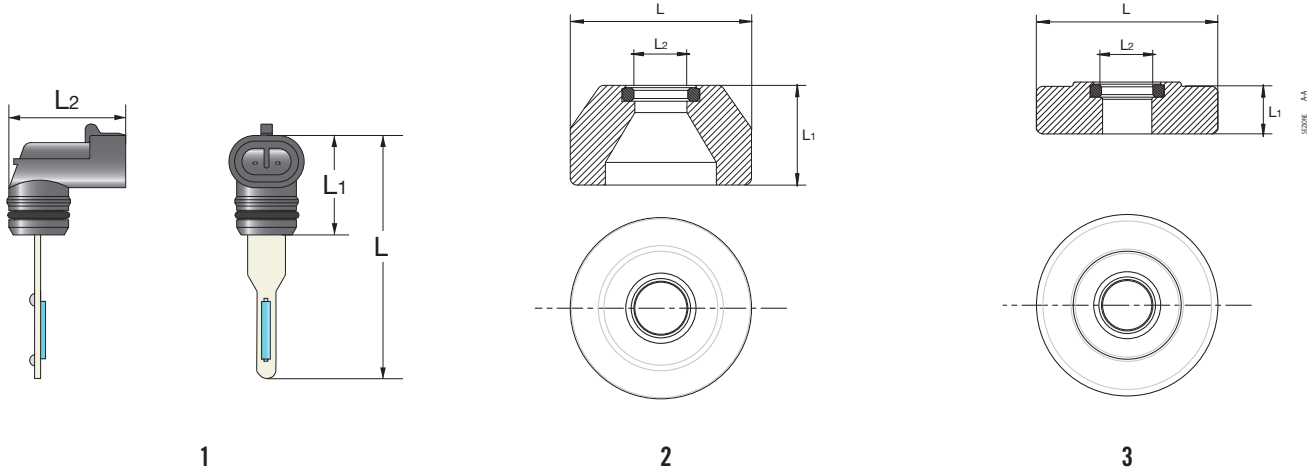


A

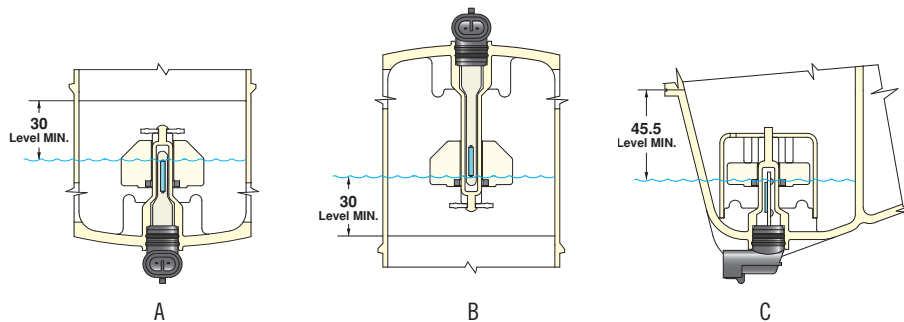


B

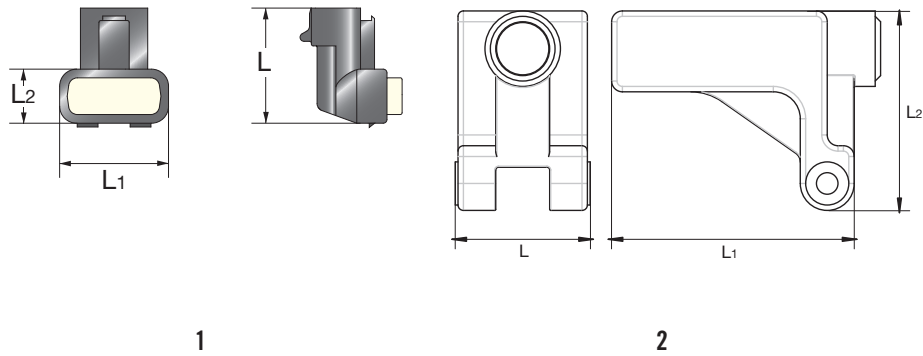
LEVEL SENSORS



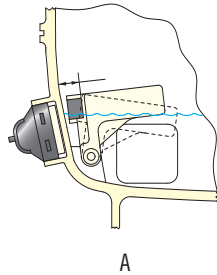
IMG	DESCRIPTION	TYPE	L mm	L ₁ mm	L ₂ mm	MATERIAL	P/N	M.O.Q.
1	LEVEL SENSOR	A	64,4	26,4	30,9	PA66	7050088	600
	LEVEL SENSOR	B	84,4	26,4	30,9	PA66	7050096	400
	LEVEL SENSOR	C	53,7	26,4	30,9	PA66	7050092	600
2	FLOAT	A - B	42	24	11,4	PP	7057088	1000
4	FLOAT	C	42	11	11,4	PP	7057092	1000
	FLOAT	A	42	11	11,4	PA	7057093	1000
3	FLOAT		40	22	11,5	PP	7057091	1000



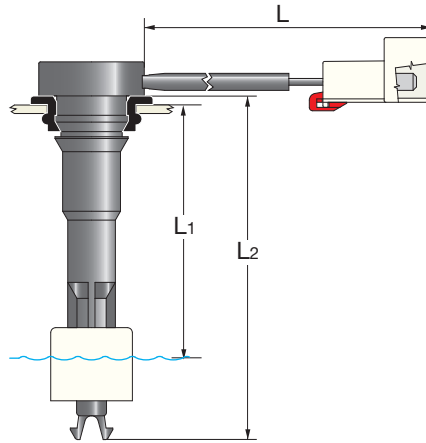
LEVEL SENSORS



IMG	DESCRIPTION	TYPE	L mm	L ₁ mm	L ₂ mm	MATERIAL	P/N	M.O.Q.
1	LEVEL SENSOR	A	30,45	28,8	14,3	PA66	7050081	620
2	FLOAT	A	25	45	25	PP	7057081	1000

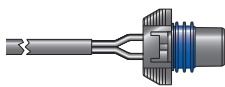


LEVEL SENSORS

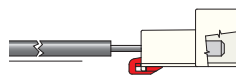


1

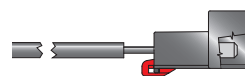
IMG	DESCRIPTION	TYPE	L mm	L ₁ mm	L ₂ mm	MATERIAL	P/N	M.O.Q.
1	LEVEL SENSOR	C	~ 300	51÷56	80	PP	7050055	720
	LEVEL SENSOR	B	~ 200	71÷76	101	PP	7050056	720
	LEVEL SENSOR	B	~ 200	82,5÷87,5	121	PP	7050072	240
	LEVEL SENSOR	C	~ 300	49÷54	75	PP	7050075	720
	LEVEL SENSOR	A	~ 215	82,5÷87,5	121	PP	7050082	240
	LEVEL SENSOR	C	~ 160	73÷78	97,6	PP	7050093	240
	LEVEL SENSOR	C	~ 210	41÷46	69,6	PP	7050094	240



A

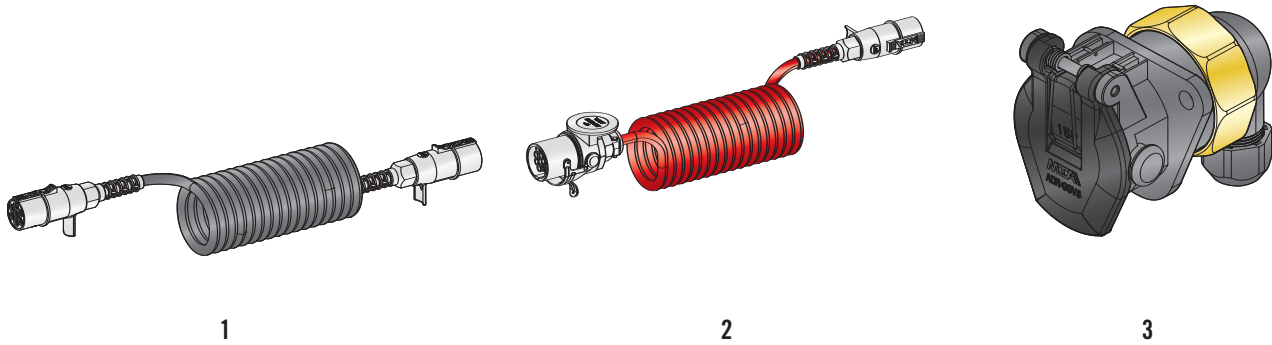


B



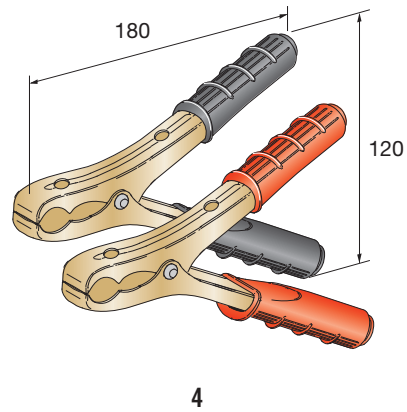
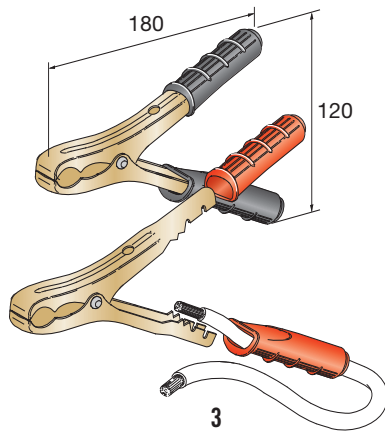
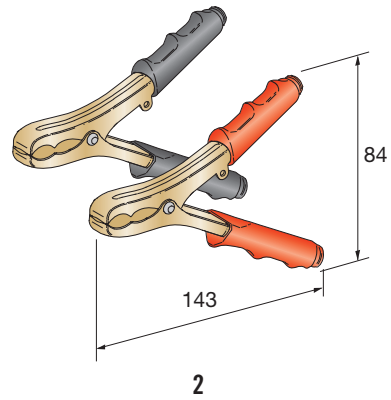
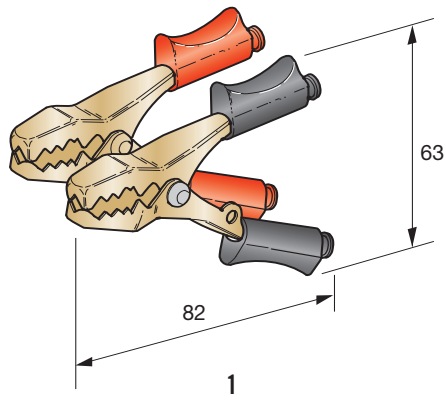
C

SPIRAL CABLE WITH CONNECTORS



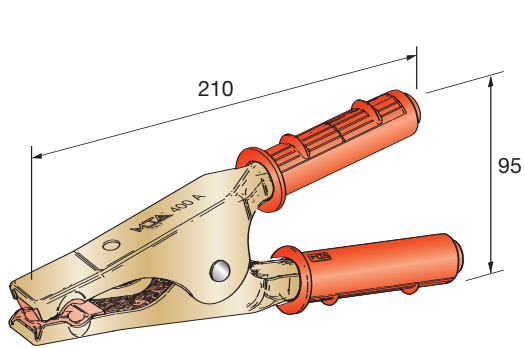
IMG	DESCRIPTION	PIN N.	SPIRAL COLOUR	MAX LENGTH mm	P/N	M.O.Q.
1	SPIRAL CABLE VOLKSWAGEN	7	■ Black	4200	9815530	10
	SPIRAL CABLE FORD	7	■ Red	5500	9815540	10
2	SPIRAL CABLE FORD	15-7	■ Red	5500	9815550	10
3	SOCKET FOR SPIRAL CABLE	15	-	-	2550087	50

CHARGING CLIPS

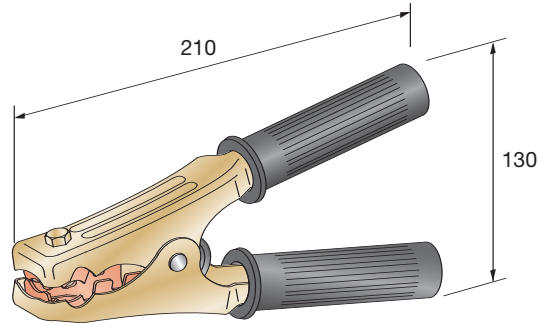


IMG	DESCRIPTION	AMP	COLOUR	WIRE SECTION mm ²	P/N BOX	M.O.Q.	P/N BULK	M.O.Q.
1	CHARGING CLIP	40 A	■ ■ Red+Black	6÷10	4814220	20		
	CHARGING CLIP	40 A	■ Red	6÷10	4814221	20	4914221	300
	CHARGING CLIP	40 A	■ Black	6÷10	4814222	20	4914222	300
2	CHARGING CLIP	100 A	■ ■ Red+Black	10÷25	4814252	4		
	CHARGING CLIP	100 A	■ Red	10÷25	4814256	4	4914256	200
	CHARGING CLIP	100 A	■ Black	10÷25	4814257	4	4914257	200
3	CHARGING CLIP	120 A	■ ■ Red+Black	10÷35	4814251	4		
	CHARGING CLIP	120 A	■ Red	10÷35	4814258	4	4914258	200
	CHARGING CLIP	120 A	■ Black	10÷35	4814259	4	4914259	200
4	CHARGING CLIP	200 A	■ ■ Red+Black	10÷35	4814255	4		
	CHARGING CLIP	200 A	■ Red	10÷35	4814262	4	4914262	200
	CHARGING CLIP	200 A	■ Black	10÷35	4814264	4	4914264	200

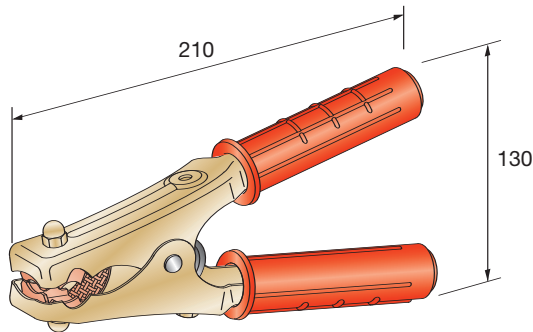
CHARGING CLIPS



1

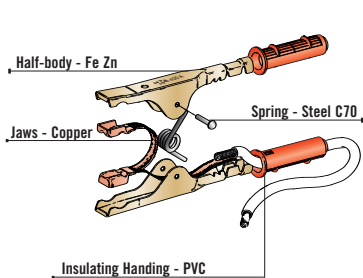


2

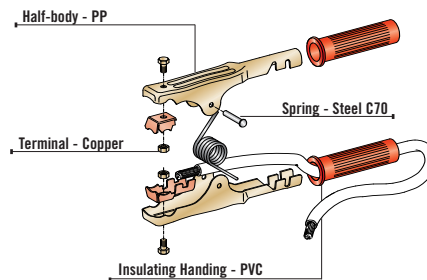


3

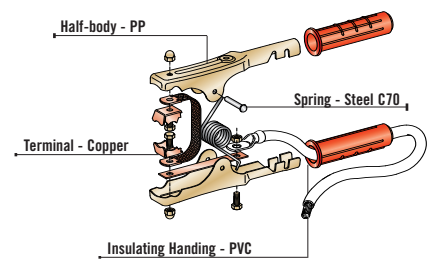
IMG	DESCRIPTION	AMP	COLOUR	WIRE SECTION mm ²	P/N BOX	M.O.Q.	P/N BULK	M.O.Q.
1	CHARGING CLIPS	400 A	■ ■ Red+Black	10÷30	4814250	4		
	CHARGING CLIPS	400 A	■ Red	10÷30	4814267	4	4914267	100
	CHARGING CLIPS	400 A	■ Black	10÷30	4814268	4	4914268	100
2	CHARGING CLIPS	500 A	■ ■ Red+Black	35÷50	4814311	4		
	CHARGING CLIPS	500 A	■ Red	35÷50	4914312	25		
	CHARGING CLIPS	500 A	■ ■ Black	35÷50	4914313	25		
3	CHARGING CLIPS	600 A	■ ■ Red+Black	50	4814321	4		
	CHARGING CLIPS	600 A	■ Red	50	4914322	25		
	CHARGING CLIPS	600 A	■ Black	50	4914323	25		



1

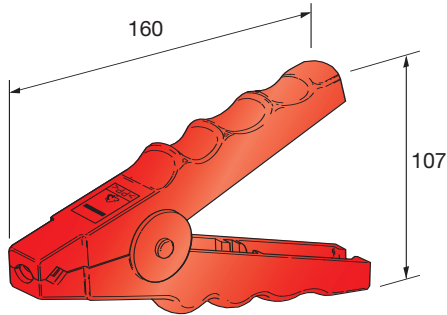


2

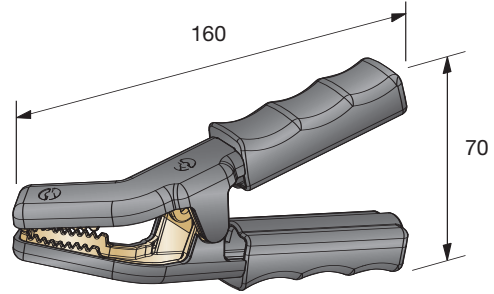


3

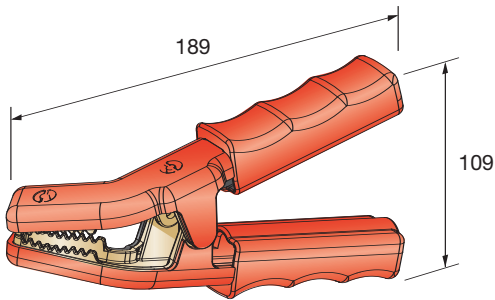
CHARGING CLIPS



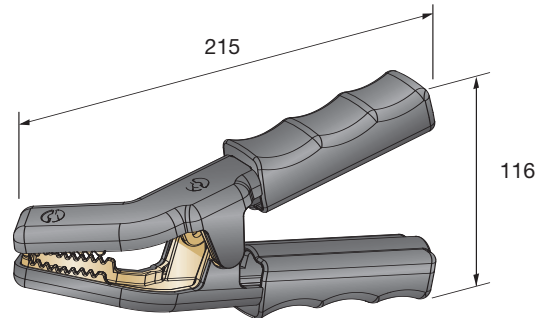
1



2

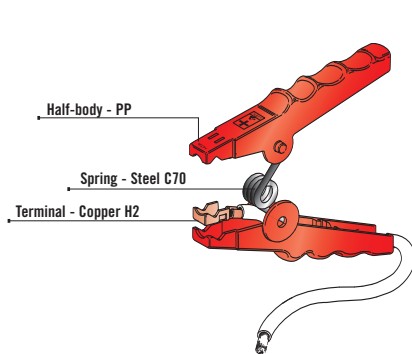


3

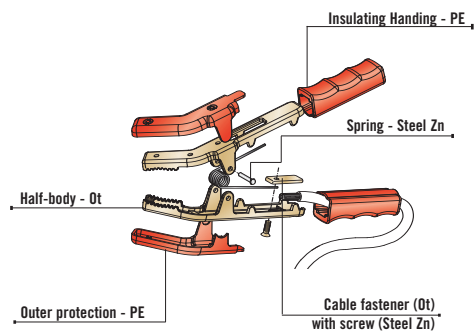


4

IMG	DESCRIPTION	AMP	COLOUR	WIRE SECTION mm ²	P/N BOX	M.O.Q.	P/N BULK	M.O.Q.	
1	CHARGING CLIPS	300 A	■ ■ Red+Black	10÷25	4814254	4			
	CHARGING CLIPS	300 A	■ Red	10÷25				4914265	200
	CHARGING CLIPS	300 A	■ Black	10÷25				4914266	200
2	CHARGING CLIPS	650 A	■ ■ Red+Black	10÷35	4814330	4			
3	CHARGING CLIPS	850 A	■ ■ Red+Black	25÷70	4814331	4			
	CHARGING CLIPS	850 A	■ Red	25÷70				4914327	17
	CHARGING CLIPS	850 A	■ Black	25÷70				4914326	17
4	CHARGING CLIPS	1000 A	■ ■ Red+Black	35÷70	4814332	4			



1



2+3+4

BOOSTER CABLES



1



2



3

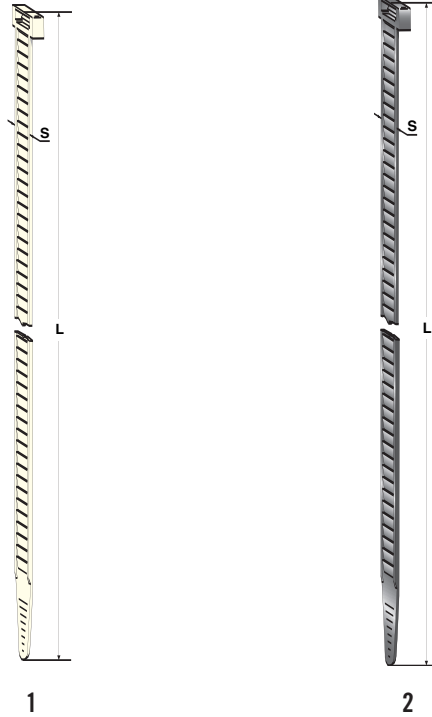


4

IMG	DESCRIPTION	MATERIAL	AMP	L mm	WIRE SECTION mm ²		P/N BOX	M.O.Q.
1	BOOSTER CABLES	HI-FLEX	120 A	2500	10		4814261	1
		HI-FLEX	120 A	2500	16		4814271	1
		HI-FLEX	120 A	3500	16		4814272	1
		HI-FLEX	120 A	2500	25		4814281	1
		HI-FLEX	120 A	3500	25		4814282	1
2	BOOSTER CABLES	HI-FLEX	300 A	3000	16		4814341	1
		HI-FLEX	300 A	2500	25		4814350	1
		HI-FLEX	300 A	3500	25		4814351	1
3	BOOSTER CABLES	HI-FLEX	400 A	3500	25		4814290	1
		HI-FLEX	400 A	5000	25		4814291	1
4	BOOSTER CABLES	HI-FLEX	500 A	5000	35		4814295	1
		HI-FLEX	500 A	3500	50		4814373	1
		HI-FLEX	500 A	5000	50		4814375	1
5	BOOSTER CABLES	HI-FLEX	600 A	5000	50		4814361	1

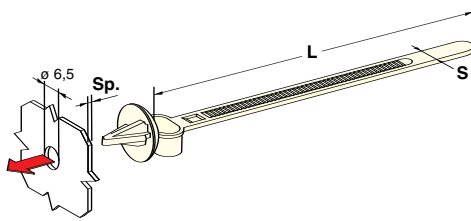
Reusable bag with handles
19 languages instructions

SELF EXTINGUISHING CABLE TIES

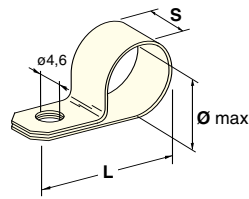


IMG	DESCRIPTION	MATERIAL	OPERATION TEMP	L mm	S mm	∅ mm	Kg mm	P/N WHITE	M.O.Q.	P/N BLACK	M.O.Q.
1/2	SELF EXTINGUISHING CABLE TIE	PA66 V2 - UL94	-40°C +85°C	75	2,2	15	7	4621100	100	4621400	100
		PA66 V2 - UL94	-40°C +85°C	98	2,5	20	8	4621110	100	4621410	100
		PA66 V2 - UL94	-40°C +85°C	135	2,5	25	8	4621120	100	4621420	100
		PA66 V2 - UL94	-40°C +85°C	200	2,6	50	8	4621130	100	4621430	100
		PA66 V2 - UL94	-40°C +85°C	140	3,6	30	13	4621140	100	4621440	100
		PA66 V2 - UL94	-40°C +85°C	290	3,6	75	13	4621150	100	4621450	100
		PA66 V2 - UL94	-40°C +85°C	160	4,5	36	18	4621160	100	4621460	100
		PA66 V2 - UL94	-40°C +85°C	178	4,8	40	22	4621170	100	4621470	100
		PA66 V2 - UL94	-40°C +85°C	200	4,8	50	22	4621180	100	4621480	100
		PA66 V2 - UL94	-40°C +85°C	250	4,8	62	22	4611190	100	4621490	100
		PA66 V2 - UL94	-40°C +85°C	290	4,8	75	22	4621200	100	4621500	100
		PA66 V2 - UL94	-40°C +85°C	360	4,8	100	22	4621210	100	4621510	100
		PA66 V2 - UL94	-40°C +85°C	120	7,8	20	54	4621220	100	4621520	100
		PA66 V2 - UL94	-40°C +85°C	180	7,8	40	54	4621230	100	4621530	100
		PA66 V2 - UL94	-40°C +85°C	240	7,8	50	54	4621240	100	4621540	100
		PA66 V2 - UL94	-40°C +85°C	300	7,8	77	54	4621250	100	4621550	100
		PA66 V2 - UL94	-40°C +85°C	365	7,8	100	54	4621260	100	4621560	100
		PA66 V2 - UL94	-40°C +85°C	450	7,8	125	54	4621270	100	4621570	100
		PA66 V2 - UL94	-40°C +85°C	540	7,8	150	54	4621280	100	4621580	100
		PA66 V2 - UL94	-40°C +85°C	750	7,8	200	54	4621290	100	4621590	100

CABLE CLIPS



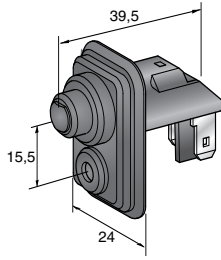
1



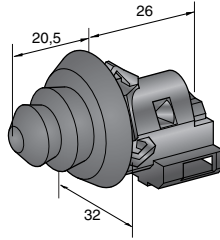
2

IMG	DESCRIPTION	MATERIAL	L mm	S mm	Ø mm	Sp mm		P/N BOX	M.O.Q.
1	REUSABLE TIE	PA66 V2 - UL94	140	6,5	6÷35	0,6÷2		4621051	200
	REUSABLE TIE	PA66 V2 - UL94	100	6	2÷16	0,6÷1,5		4621052	200
2	FIXING TUBE CLAMP	PA66	19,8	9,6	4,8	-		4612110	100
	FIXING TUBE CLAMP	PA66	22	10	6,35	-		4612120	100
	FIXING TUBE CLAMP	PA66	22	10	7,9	-		4612130	100
	FIXING TUBE CLAMP	PA66	24	12	9,5	-		4612140	100
	FIXING TUBE CLAMP	PA66	31	12	12,7	-		4612150	100
	FIXING TUBE CLAMP	PA66	34,3	12	15,8	-		4612160	100
	FIXING TUBE CLAMP	PA66	35	12	19,4	-		4612170	100
	FIXING TUBE CLAMP	PA66	43	12	25,4	-		4612180	100

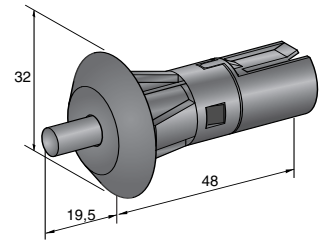
PRESS SWITCHES



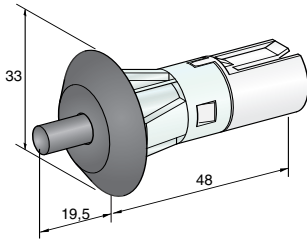
1



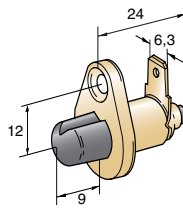
2



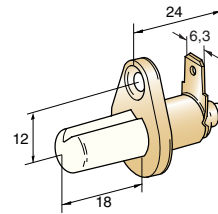
3



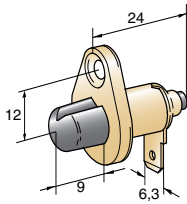
4



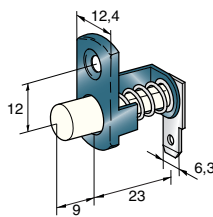
5



6



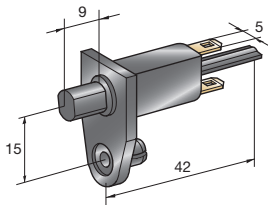
7



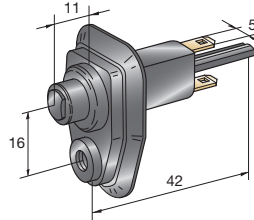
8

IMG	DESCRIPTION	APPLICATION	P/N BOX	M.O.Q.
1	PRESS SWITCH	DOORS BRAVO - BRAVA - PALIO	4209652	1
2	PRESS SWITCH	MULTIFUNCTIONAL - RENAULT	4209655	1
3	PRESS SWITCH	DOORS TWINGO - CLIO - LAGUNA - SAFRANE - ESPACE - EXPRESS	4209656	1
4	PRESS SWITCH	DOORS PEUGEOT	4209665	1
5	PRESS SWITCH	BOOT INNOCENTI - LANCIA	4209400	1
6	PRESS SWITCH	DOORS LANCIA DELTA	4209420	1
7	PRESS SWITCH	DOORS AUTOBIANCHI A 112	4209440	1
8	PRESS SWITCH	DOORS FIAT RITMO - PANDA - 131 - 132 - 128	4209500	1

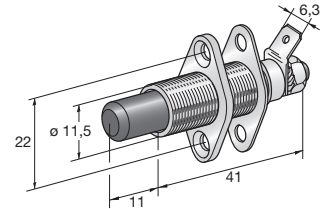
PRESS SWITCHES



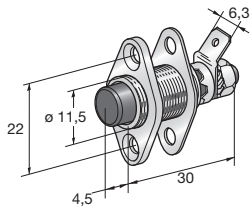
1



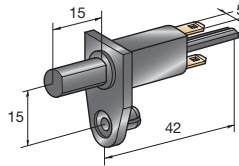
2



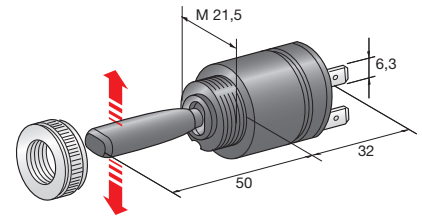
3



4



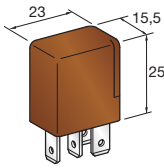
5



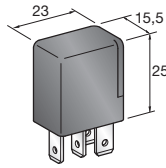
6

IMG	DESCRIPTION	APPLICATION	P/N BOX	M.O.Q.
1	PRESS SWITCH	DOORS FIAT UNO	4209520	1
2	PRESS SWITCH	DOORS FIAT CROMA - LANCIA THEMA	4209530	1
3	PRESS SWITCH	AUTOALARM, DOORS, TAILGATES	4209570	1
4	PRESS SWITCH	AUTOALARM, DOORS, TAILGATES	4209580	1
5	PRESS SWITCH	BOOT ALFA 164	4209590	1
6	PRESS SWITCH	TRACTOR LIGHT	4208800	1

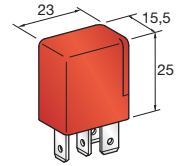
RELAYS



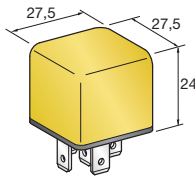
1



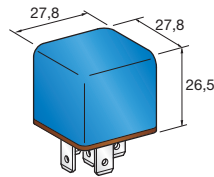
2



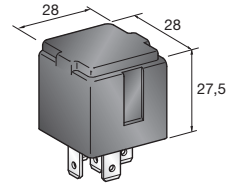
3



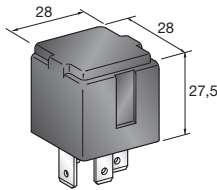
4



5

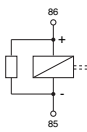


6

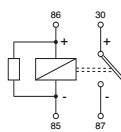


7

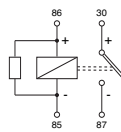
IMG	DESCRIPTION	COLOUR	RATED CURRENT WITH 80° C	RATED VOLTAGE	WORKING TEMPERATURE T.min/T.max	P/N BOX	M.O.Q.
1	MICRO RELAY	■ Brown	10A (NC) - 20A (NO)	12 V	-40°C +125°C	0603000	1
2	MICRO RELAY	■ Black	20A (NO)	12 V	-40°C +125°C	0603010	1
3	MICRO RELAY	■ Red	30A (NO)	12 V	-40°C +125°C	0603020	1
4	MINI RELAY	■ Yellow	30A (NO)	12 V	-30°C +80°C	0603030	1
5	MINI RELAY	■ Blue	30A (NO)	12 V	-40°C +125°C	0603040	1
6	MINI RELAY	■ Black	15A (NC) - 30A (NO)	12 V	-30°C +100°C	0603060	1
7	MAXI RELAY	■ Black	50A (NO)	12 V	-40°C +125°C	0603050	1



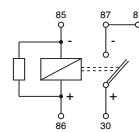
1



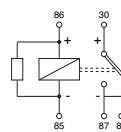
2



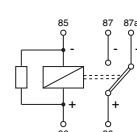
3



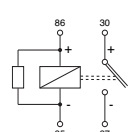
4



5

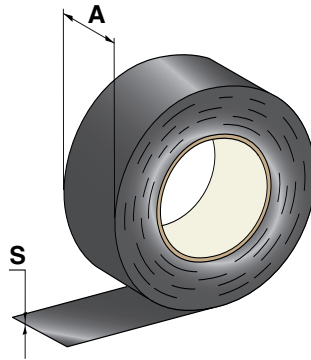


6



7

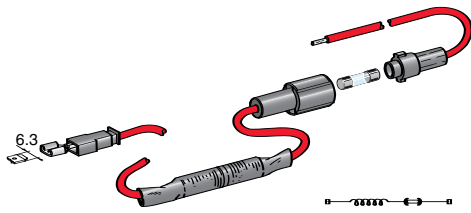
SELF EXTINGUISHING INSULATING TAPE



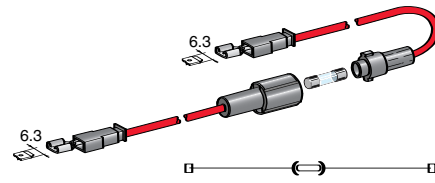
1

IMG	DESCRIPTION	MATERIAL	COLOUR	A mm	L mm	S mm	P/N BOX	M.O.Q.
1	SELF-EXTINGUISHING INSULATING TAPE	PVC - V0	■ Black	15	10000	0,15	4640100	10
	SELF-EXTINGUISHING INSULATING TAPE	PVC - V0	■ Red	15	10000	0,15	4640110	10
	SELF-EXTINGUISHING INSULATING TAPE	PVC - V0	■ Black	15	25000	0,15	4640200	10
	SELF-EXTINGUISHING INSULATING TAPE	PVC - V0	■ Black	19	25000	0,15	4640300	10
	SELF-EXTINGUISHING INSULATING CLOTH TAPE	RAYON	■ Black	19	25000	0,28	0100302	96

CAR RADIO WIRES



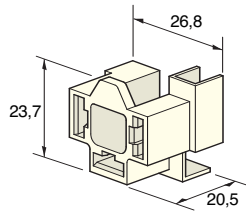
1



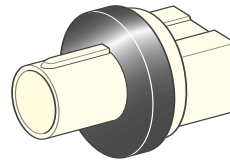
2

IMG	DESCRIPTION	INDUCTANCE	CABLE	L mm		P/N BOX	M.O.Q.
1	INDUCTIVE CAPACITIVE FILTER	15 ? H	-	500		3308517	10
2	CAR RADIO FEEDING WIRE	-	0,8	500		2608241	10

LAMP HOLDERS



1



2

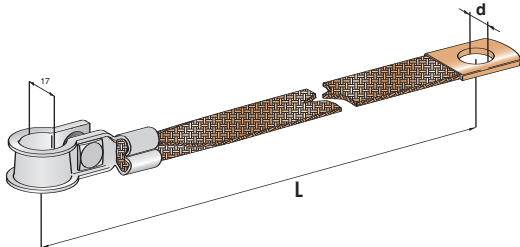
IMG	DESCRIPTION	MATERIAL	P/N BOX	M.O.Q.
1	3WAY LAMP HOLDER	PA	4410510	50
2	PARKING LIGHTS AND DASHBOARD FOR LAMPS WITH W 2.1 X 9.5 D SOCKET		4008500	50

CONNECTIONS AND FIXINGS

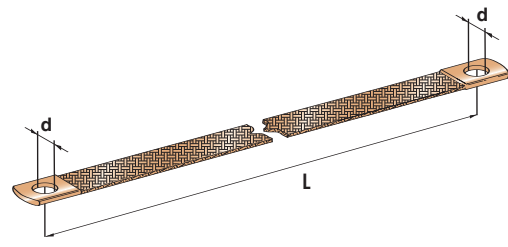


IMG	1
-----	---

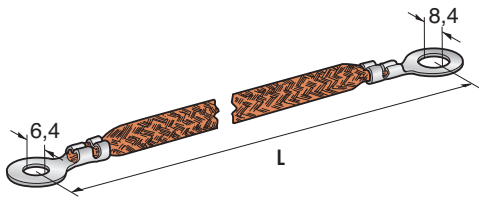
EARTH CONNECTIONS



1



2

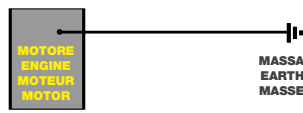


3

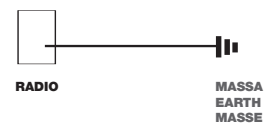
IMG	DESCRIPTION	SECTION mm ²	d mm	L mm		P/N BOX	M.O.Q.
1	EARTH CONNECTION	25	12,5	300		2508681	1
		25	12,5	400		2508682	1
		25	12,5	500		2508683	1
2	EARTH CONNECTION	10	8,4	210		2508650	1
		10	8,4	280		2508652	1
		15	10,4	330		2508660	1
		15	10,4	450		2508661	1
		15	10,4	280		2508662	1
		15	10,4	210		2508663	1
		25	12,5	320		2507670	1
		25	12,5	230		2508671	1
3	EARTH CONNECTION	25	12,5	400		2508672	1
		-	-	300		2508220	10



1



2



3

LIST OF ALL ITEMS

P/N	PAGE	P/N	PAGE	P/N	PAGE	P/N	PAGE	P/N	PAGE
0100300	59	0101320	47	0300140	14	0300415	49	0301000	53
0100302	180	0101370	36	0300142	14	0300416	46	0301030	53 - 54
0100303	59	0101371	36	0300149	14	0300420	52	0301040	53 - 54
0100304	59	0101400	46	0300150	14	0300430	63	0301050	53 - 54
0100306	59	0101450	29	0300151	14	0300440	63	0301060	53 - 54
0100330	51	0101460	33	0300152	14	0300442	26	0301070	53 - 54
0100334	57	0101470	35	0300170	14	0300468	26	0301080	53 - 54
0100335	58	0101484	33	0300171	14	0300489	76	0301200	53
0100336	58	0101494	34	0300172	14	0300500	39	0301210	53
0100337	58	0101504	34	0300180	14	0300540	43	0301301	47
0100341	57	0101510	35	0300181	14	0300541	43	0301305	47
0100345	48	0101520	29	0300182	14	0300542	43	0301307	47
0100352	52	0101530	29	0300300	59	0300552	27	0301310	47
0100353	50	0101540	29	0300305	59	0300560	43	0301315	47
0100358	63	0101550	30	0300306	59	0300562	43	0301320	47
0100359	50 - 52	0101564	33	0300330	51	0300580	43	0301325	47
0100360	55	0101580	30	0300331	51	0300581	43	0301330	47
0100370	55	0101590	30	0300336	58	0300582	43	0301370	36
0100380	56	0101600	35	0300341	57	0300582	44	0301371	36
0100390	54	0101640	33	0300342	57	0300590	44	0301372	36
0100391	54	0101660	34	0300345	48	0300600	44	0301400	46
0100392	63	0101691	35	0300351	50	0300602	44	0301410	46
0100400	49	0101703	25	0300352	52	0300610	44	0301420	42
0100415	49	0102000	45	0300354	50	0300612	44	0301430	42
0100416	46	0102001	45	0300357	50	0300650	37	0301431	42
0100420	52	0103000	41	0300357	51	0300670	37	0301435	42
0100430	63	0200127	19	0300358	63	0300680	37	0301450	29
0100440	63	0200138	19	0300359	50	0300681	38	0301460	33
0100500	39	0200140	14	0300359	52	0300683	38	0301470	35
0100540	43	0200142	14	0300360	55	0300684	38	0301484	33
0100560	43	0200149	14	0300370	55	0300690	52	0301486	33
0100580	43	0200150	14	0300380	56	0300691	52	0301494	34
0100590	44	0200151	14	0300390	54	0300697	64	0301496	34
0100610	44	0200152	14	0300391	54	0300698	64	0301504	34
0100650	50	0200170	14	0300392	63	0300699	30	0301506	34
0100651	50	0200171	14	0300395	52	0300700	37	0301510	35
0100655	37	0200172	14	0300397	78	0300793	33	0301520	29
0100660	44	0200180	14	0300398	52	0300800	40	0301530	29
0100665	37	0200181	14	0300400	49	0300839	22	0301540	29
0100699	30	0200182	14	0300401	49	0300848	61	0301550	30
0100703	28	0200296	17	0300402	49	0300849	40	0301564	33
0100705	37	0200297	17	0300403	49	0300851	61	0301566	33
0100710	23	0200298	17	0300404	49	0300856	61	0301580	30
0100800	40	0200299	17	0300405	49	0300900	39	0301590	30
0100900	39	0200300	17	0300406	49	0300949	61	0301600	35
0101005	53	0200301	17	0300407	49	0300950	39 - 40	0301601	35

P/N	PAGE	P/N	PAGE	P/N	PAGE	P/N	PAGE	P/N	PAGE
0301602	35	0433400	16	0475070	13	0600390	7	0602060	9
0301602	35	0433450	16	0475080	13	0600400	7	0602070	9
0301620	31	0433500	16	0475100	13	0600401	7	0602080	9
0301630	32	0433600	16	0476025	11	0600407	20	0602100	9
0301640	33	0433700	16	0476030	11	0600408	20	0602125	9
0301660	34	0433800	16	0477045	11	0600410	7	0603000	179
0301661	34	0433850	16	0477065	11	0600418	20	0603010	179
0301690	35	0433900	16	0477075	11	0600420	7	0603020	179
0301865	24	0435300	16	0530400	15	0600430	7	0603030	179
0302000	45	0435400	16	0530500	15	0600440	7	0603040	179
0302001	45	0435500	16	0530600	15	0600450	7	0603050	179
0302305	47	0435600	16	0530800	15	0600460	7	0603060	179
0302310	47	0435800	19	0531100	15	0600470	7	0650015	21
0302315	47	0470020	12	0533200	16	0600492	7	0650016	21
0302320	47	0470030	12	0533400	16	0600493	7	0700090	6
0302325	47	0470040	12	0533500	16	0600494	7	0700100	6
0302330	47	0470050	12	0533600	16	0600495	7	0700101	6
0303003	41	0470060	12	0533700	16	0600496	7	0700110	6
0303005	41	0470080	12	0533800	16	0600497	7	0700120	6
0303006	41	0470100	12	0533850	16	0600498	7	0700130	6
0303007	41	0471030	12	0533900	16	0600561	43	0700140	6
0303008	41	0471040	12	0535300	16	0600660	37	0700150	6
0303009	41	0471050	12	0535400	16	0600900	8	0700160	6
0303010	41	0471060	12	0535600	16	0600910	8	0700170	6
0303015	41	0471080	12	0600010	21	0600920	8	0700210	18
0303020	41	0471100	12	0600090	6	0600930	8	0700220	18
0303025	41	0472030	13	0600100	6	0600940	8	0700230	18
0303030	41	0472040	13	0600101	6	0600950	8	0700230	18
0321000	53	0472050	13	0600120	6	0600960	8	0700240	18
0321200	53	0472060	13	0600130	6	0600970	8	0700250	18
0321210	53	0472080	13	0600140	6	0601100	10	0700260	18
0350002	59	0472100	13	0600150	6	0601125	10	0700270	18
0430200	15	0473030	11	0600160	6	0601150	10	0700280	18
0430300	15	0473040	11	0600170	6	0601175	10	0700290	18
0430400	15	0474020	11	0600210	18	0601200	10	0700300	7
0430500	15	0474030	11	0600220	18	0601225	10	0700301	7
0430600	15	0474040	11	0600230	18	0601250	10	0700302	18
0430700	15	0474050	11	0600240	18	0601350	10	0700310	7
0430800	15	0474060	11	0600250	18	0601400	10	0700320	7
0430900	15	0474070	11	0600260	18	0601450	10	0700330	7
0431000	15	0474080	11	0600270	18	0601500	10	0700340	7
0431100	15	0475020	13	0600280	18	0601600	10	0700340	7
0431300	15	0475030	13	0600290	18	0601700	10	0700350	7
0431400	15	0475040	13	0600302	18	0602030	9	0700350	7
0433200	16	0475050	13	0600375	7	0602040	9	0700360	7
0433300	16	0475060	13	0600380	7	0602050	9	0700360	7

P/N	PAGE	P/N	PAGE	P/N	PAGE	P/N	PAGE	P/N	PAGE
0700370	7	0710300	7	1107020	131	1108331	123	1506130	100
0700370	7	0710301	7	1107209	136	1108332	123	1506200	101
0700375	7	0710310	7	1107210	135	1200580	157	1506210	101
0700375	7	0710320	7	1107211	135	1200590	157	1506250	101
0700380	7	0710330	7	1107212	136	1200831	141	1506260	101
0700390	7	1000613	157	1107260	136	1200880	141	1506270	100
0700900	8	1000618	157	1107501	126	1201000	138	1506280	100
0700910	8	1000718	157	1107650	128	1201070	138	1506650	97
0700920	8	1000724	157	1107660	128	1201100	138	1506655	97
0700930	8	1000748	157	1107670	128	1201110	138	1506656	97
0700940	8	1000900	156	1107671	128	1201150	139	1506658	97
0700950	8	1000910	156	1107675	128	1201160	139	1506660	97
0700960	8	1000930	156	1107685	128	1201200	138	1506665	97
0700970	8	1101400	130	1107690	128	1201210	138	1506666	97
0701100	10	1101412	132	1107700	128	1201220	138	1506668	97
0701125	10	1101650	130	1107710	128	1201230	138	1506670	98
0701150	10	1101660	132	1107720	128	1301390	130	1506675	98
0701175	10	1101662	132	1107740	129	1301391	130	1506678	98
0701200	10	1101680	131	1107741	129	1301400	130	1506720	97
0701225	10	1101700	130	1107900	126	1301402	130	1506721	97
0701250	10	1101710	130	1107901	126	1301411	132	1506730	97
0701350	10	1101720	131	1107920	126	1301412	132	1506731	97
0701400	10	1101940	137	1107930	126	1301417	132	1506740	99
0701450	10	1101950	137	1107940	126	1301418	132	1506741	99
0701500	10	1102000	135	1107960	139	1301420	131	1506761	99
0701600	10	1102010	135	1107970	139	1301501	131	1506761	99
0701700	10	1102050	136	1107980	139	1301650	130	1506765	99
0702030	9	1104500	134	1107990	139	1301660	132	1506820	101
0702040	9	1104510	134	1108000	139	1301665	132	1507700	94
0702050	9	1105500	133	1108010	136	1400850	140	1507703	94
0702060	9	1105510	133	1108020	136	1400860	140	1507705	94
0702070	9	1105550	133	1108030	135	1400862	140	1507707	94
0702080	9	1105560	133	1108050	135	1400865	140	1507710	94
0702100	9	1105615	135	1108060	135	1400880	141	1507720	94
0702125	9	1105620	135	1108070	136	1400910	141	1507725	94
0705090	6	1105630	135	1108080	136	1400920	141	1507736	94
0705100	6	1105660	136	1108110	108	1401400	130	1507760	94
0705100	6	1105670	136	1108120	108	1401660	132	1507771	94
0705101	6	1106700	106	1108240	109	1401910	137	1507785	94
0705110	6	1106710	106	1108245	109	1506060	100	1507790	94
0705120	6	1106720	106	1108260	134	1506070	100	1507795	94
0705130	6	1106730	106	1108270	134	1506080	100	1507800	95
0705140	6	1106750	106	1108280	135	1506090	100	1507810	95
0705150	6	1106760	106	1108290	134	1506100	100	1507820	95
0705160	6	1107000	131	1108300	134	1506110	100	1507821	95
0705170	6	1107010	131	1108330	123	1506120	100	1507830	95

P/N	PAGE	P/N	PAGE	P/N	PAGE	P/N	PAGE	P/N	PAGE
1507875	95	1606795	115	1609910	119	1706920	112	1708120	108
1507885	95	1606796	115	1609911	119	1706930	112	1708150	105
1507904	96	1606855	151	1609920	119	1706940	112	1708160	105
1507905	96	1606890	115	1664500	147	1706950	113	1708170	107
1507915	96	1606981	113	1701391	130	1706960	113	1708175	107
1507916	96	1606982	113	1701400	130	1706970	113	1708185	114
1507925	96	1606990	113	1701412	132	1706975	114	1708195	114
1507926	96	1606991	113	1701530	131	1706977	114	1708200	113
1507946	96	1606992	113	1701650	130	1706980	113	1708210	107
1507955	96	1607400	118	1701651	130	1707400	127	1708215	107
1507956	96	1607500	116	1701655	130	1707410	127	1708220	113
1507957	96	1608170	107	1701660	132	1707420	127	1708230	107
1507975	96	1608180	108	1701940	137	1707620	128	1708240	109
1556680	95	1608190	108	1702725	109	1707621	128	1708245	109
1602970	104	1608196	108	1704500	134	1707622	128	1708246	109
1602980	104	1608199	108	1704510	134	1707650	128	1708250	109
1602981	104	1608210	107	1705550	133	1707660	128	1708270	114
1604300	107	1608321	107	1705560	133	1707670	128	1708310	107
1605000	121	1608323	107	1705616	109	1707671	128	1708315	107
1605010	121	1608345	113	1705626	109	1707672	128	1708320	107
1605020	121	1608380	116	1705656	109	1707675	128	1708321	107
1605021	121	1608381	116	1705726	110	1707685	128	1708325	107
1605030	121	1608382	116	1705735	109	1707690	128	1708330	123
1605040	121	1608400	117	1705745	109	1707700	128	1708331	123
1605100	121	1608415	118	1705816	110	1707710	128	1708332	123
1605110	121	1608420	117	1705825	109	1707720	128	1708335	123
1605600	111	1608440	120	1705826	110	1707740	129	1708336	123
1605610	111	1608450	117	1705835	109	1707741	129	1708340	113
1605620	111	1608460	117	1705846	110	1707742	129	1708345	113
1605630	111	1608470	117	1705925	109	1707760	127	1708360	118
1605710	111	1608480	117	1706600	115	1707770	127	1708370	118
1605720	111	1608500	116	1706700	106	1707780	127	1708380	122
1605730	111	1608510	116	1706701	106	1707900	126	1708381	122
1605800	111	1608520	119	1706710	106	1707901	126	1708382	122
1605810	111	1608600	119	1706711	106	1707902	126	1708383	122
1605815	110	1608700	119	1706720	106	1707910	126	1708400	124
1605820	111	1608800	108	1706721	106	1707911	126	1708401	124
1605830	111	1608911	120	1706730	106	1707912	126	1708500	125
1605900	111	1609000	104	1706731	106	1707920	126	1708501	125
1605905	109	1609100	119	1706740	106	1707930	126	1708502	125
1605910	111	1609310	120	1706741	106	1707932	126	1708503	125
1605930	111	1609320	108	1706750	106	1707940	126	1708510	125
1606770	115	1609400	120	1706880	115	1707942	126	1708511	125
1606775	115	1609500	120	1706890	115	1707990	125	1708512	125
1606780	115	1609600	120	1706900	112	1707991	125	1708513	125
1606785	115	1609900	119	1706910	112	1708110	108	1793752	116

P/N	PAGE	P/N	PAGE	P/N	PAGE	P/N	PAGE	P/N	PAGE
1793753	116	1854500	144	1864309	147	1880120	150	2508671	183
1793754	105	1854550	145	1864400	147	1880130	150	2508672	183
1796416	116	1854559	145	1864400	147	1880140	150	2508681	183
1850200	144	1855000	144	1864409	147	1880150	150	2508682	183
1850209	144	1855009	144	1864409	147	1880230	150	2508683	183
1850300	144	1855400	144	1864509	147	1880240	150	2550087	170
1850309	144	1855500	144	1864600	147	1880250	150	2608241	181
1850359	145	1855509	144	1864609	147	1880280	149	3001001	54
1850400	144	1856000	145	1864700	147	1880290	149	3004000	20
1850409	144	1856009	145	1864800	147	1880300	149	3050123	81
1850450	145	1856400	146	1865096	143	1880310	149	3050124	81
1850459	145	1856409	146	1865100	143	1900590	157	3050125	81
1850500	144	1857050	142	1865109	143	1900900	156	3050126	81
1850509	144	1857060	142	1865200	143	1900910	156	3050127	81
1850550	145	1857100	142	1865209	143	1900920	156	3050128	81
1850559	145	1857109	142	1866100	143	1900930	156	3050129	81
1851000	144	1857150	142	1866109	143	1900940	156	3050130	81
1851009	144	1857159	142	1866200	143	1901390	130	3050131	82
1851400	144	1857200	142	1866209	143	1901391	130	3050132	82
1851409	144	1857209	142	1866300	143	1901400	130	3050133	82
1851500	144	1857250	142	1866309	143	1901402	130	3050134	82
1851509	144	1857259	142	1867000	143	1901411	132	3050135	60
1852000	145	1860000	151	1867009	143	1901412	132	3050136	60
1852009	145	1860500	144	1867100	143	1901417	132	3050152	46
1852400	146	1860509	144	1867109	143	1901418	132	3050153	47
1852409	146	1861000	144	1867200	143	1901420	131	3308517	181
1852500	145	1861009	144	1867209	143	1901501	131	4008500	182
1852509	145	1862000	145	1868000	148	1901650	130	4208800	178
1853050	142	1862009	145	1868009	148	1901660	132	4209400	177
1853059	142	1862500	145	1868100	148	1901665	132	4209420	177
1853060	142	1862509	145	1868109	148	1902970	104	4209440	177
1853069	142	1863000	144	1868200	148	1902980	104	4209500	177
1853070	142	1863009	144	1868209	148	1902981	104	4209520	178
1853079	142	1863100	142	1869000	148	1907501	126	4209530	178
1853150	142	1863109	142	1869009	148	1911400	130	4209590	178
1853159	142	1863150	142	1869100	148	1911650	130	4209652	177
1853200	142	1863159	142	1869109	148	1951145	131	4209655	177
1853209	142	1863200	142	1869200	148	1951194	132	4209656	177
1853250	142	1863209	142	1880020	150	2507670	183	4209665	177
1854200	144	1863250	142	1880030	150	2508220	183	4407510	134
1854300	144	1863259	142	1880040	150	2508650	183	4407530	133
1854309	144	1863300	142	1880060	150	2508652	183	4407740	133
1854350	145	1863309	142	1880070	150	2508660	183	4407750	133
1854359	145	1864100	147	1880080	150	2508661	183	4410060	91
1854400	144	1864109	147	1880090	150	2508662	183	4410062	92
1854409	144	1864300	147	1880100	150	2508663	183	4410065	91

P/N	PAGE	P/N	PAGE	P/N	PAGE	P/N	PAGE	P/N	PAGE
4410068	91	4410360	159	4423660	81	4510092	146	4510830	73
4410070	91	4410400	159	4423670	81	4510096	146	4510840	72
4410072	91	4410495	102	4423680	81	4510110	80	4510870	75
4410073	91	4410496	102	4423690	82	4510115	80	4510875	75
4410074	91	4410510	182	4423700	82	4510120	79	4510880	72
4410076	91	4410605	78	4423710	82	4510125	79	4510881	72
4410077	92	4410610	78	4423720	82	4510130	80	4510890	72
4410078	92	4410611	78	4426030	89	4510135	79	4510891	72
4410079	92	4410614	78	4426040	89	4510145	65	4510921	74
4410080	91	4410652	84	4426050	89	4510145	80	4510970	75
4410081	91	4410655	85	4426060	89	4510150	86	4510975	75
4410082	91	4410656	85	4426110	89	4510160	86	4520900	84
4410083	91	4410657	85	4426120	89	4510170	86	4520901	84 - 158
4410084	91	4410660	84	4426130	90	4510180	86	4520902	84 - 158
4410086	91	4410661	84	4426140	90	4510190	86	4520910	84
4410090	146	4410801	73	4426170	90	4510200	86	4520911	84 - 158
4410091	146	4410810	74	4426180	90	4510210	87	4520921	85 - 158
4410092	146	4410811	74	4430100	93	4510220	87	4520931	85 - 158
4410096	146	4410820	74	4430110	93	4510230	87	4540105	65
4410097	146	4410821	74	4430120	93	4510240	87	4540110	71
4410120	79	4410830	73	4430130	93	4510245	60	4540111	71
4410125	79	4410870	75	4433800	83	4510247	60	4540112	71
4410150	86	4410921	74	4440100	65	4510250	87	4540113	71
4410160	86	4410970	75	4440200	65	4510260	87	4540135	65
4410170	86	4420800	92	4440300	67	4510270	88	4540150	66
4410180	86	4420900	84	4440310	68	4510280	88	4540205	65
4410190	86	4420901	84 - 158	4440340	68	4510290	88	4540210	71
4410200	86	4420902	84 - 158	4440400	67	4510295	88	4540211	71
4410210	87	4420910	84	4440600	77	4510296	88	4540212	71
4410220	87	4420911	84 - 158	4440700	70	4510400	159	4540213	71
4410230	87	4420920	85	4440800	70	4510480	103	4540302	67
4410240	87	4420921	85 - 158	4441100	77	4510496	102	4540305	67
4410245	60	4420931	85 - 158	4441200	77	4510497	102	4540312	68
4410246	60	4423150	90	4507510	134	4510499	102	4540315	68
4410247	60	4423160	90	4507740	133	4510502	103	4540325	68
4410250	87	4423510	83	4509580	178	4510503	103	4540335	68
4410260	87	4423520	83	4510070	91	4510504	103	4540345	68
4410270	88	4423530	83	4510073	91	4510658	134	4540405	67
4410280	88	4423540	83	4510074	91	4510662	134	4540410	68
4410290	88	4423550	83	4510076	91	4510801	73	4540420	68
4410295	88	4423560	83	4510077	92	4510802	73	4540430	68
4410296	88	4423610	81	4510080	91	4510810	74	4540500	69
4410300	159	4423620	81	4510081	91	4510811	74	4540501	69
4410310	159	4423630	81	4510086	91	4510812	74	4540601	77
4410320	159	4423640	81	4510090	146	4510820	74	4540602	77
4410350	159	4423650	81	4510091	146	4510821	74	4540705	70

P/N	PAGE	P/N	PAGE	P/N	PAGE	P/N	PAGE	P/N	PAGE
4540715	70	4621160	175	4814255	171	5014490	163	6200035	5
4540735	70	4621160	176	4814256	171	5014730	163	6200036	5
4540805	70	4621170	175	4814257	171	5014731	163	6200037	5
4540815	70	4621180	175	4814258	171	5014740	163	6200038	5
4541100	77	4621190	175	4814259	171	5014750	163	6200039	5
4541200	77	4621200	175	4814261	174	5014810	163	6200040	5
4545100	65	4621210	175	4814262	171	5014830	163	7050055	169
4545100	67	4621220	175	4814264	171	5014861	160	7050056	169
4545100	68	4621230	175	4814267	172	5014862	160	7050072	169
4545100	70	4621240	175	4814268	172	5014867	162	7050075	169
4545200	65	4621250	175	4814271	174	5014868	162	7050081	168
4545300	67	4621260	175	4814272	174	5014873	160	7050082	169
4545300	68	4621270	175	4814281	174	5014876	160	7050088	167
4545300	69	4621280	175	4814282	174	5014877	160	7050090	166
4545300	70	4621290	175	4814290	174	5014900	160	7050091	166
4545400	67	4621400	175	4814291	174	5014901	160	7050092	167
4545800	70	4621410	175	4814295	174	5050090	160	7050093	169
4550780	127	4621420	175	4814311	172	5050097	160	7050094	169
4550781	127	4621430	175	4814321	172	5050103	160	7050096	167
4550782	127	4621440	175	4814330	173	5050106	165	7057081	168
4550784	127	4621450	175	4814331	173	5050108	160	7057088	167
4551575	158	4621460	175	4814332	173	5050116	160	7057091	166
4551605	78	4621470	175	4814341	174	5050121	160	7057091	167
4551606	78	4621480	175	4814350	174	5050123	160	7057092	167
4551607	78	4621490	175	4814351	174	5050124	160	7057093	167
4551610	78	4621500	175	4814361	174	5050126	161	7209570	178
4551611	78	4621510	175	4814373	174	5050127	161	9602450	154
4551612	78	4621520	175	4814375	174	5050128	164	9602454	154
4551613	78	4621530	175	4914221	171	5050133	165	9602455	154
4551614	78	4621540	175	4914222	171	5050135	164	9602460	154
4551615	78	4621550	175	4914256	171	5050136	161	9602464	155
4612110	176	4621560	175	4914257	171	5050140	161	9602490	152
4612120	176	4621570	175	4914258	171	5050143	161	9602500	155
4612130	176	4621580	175	4914259	171	5050147	161	9602610	153
4612140	176	4621590	175	4914262	171	5050227	161	9602620	153
4612170	176	4640100	180	4914264	171	5051108	164	9602621	153
4612180	176	4640110	180	4914265	173	5051137	164	9602622	153
4621051	176	4640200	180	4914266	173	5056000	160	9602660	153
4621052	176	4640300	180	4914267	172	5056005	160	9602661	153
4621100	175	4814220	171	4914268	172	5114861	160	9602670	153
4621110	175	4814221	171	4914312	172	5114901	160	9602671	153
4621120	175	4814222	171	4914313	172	5415400	165	9602690	153
4621130	175	4814250	172	4914322	172	5515870	165	9602691	153
4621140	175	4814251	171	4914323	172	6100033	2	9815530	170
4621150	175	4814252	171	4914326	173	6100034	3	9815540	170
4621150	176	4814254	173	4914327	173	6100035	4	9815550	170



Notes

Area for handwritten notes, consisting of horizontal light blue lines.

A norma della legge sul diritto d'autore e del codice civile, é tassativamente vietata la riproduzione di questo catalogo o parte di esso, con qualsiasi metodo elettronico, meccanico, per mezzo di fotocopie, microfilm, registrazioni o altro. I diritti sono riservati per tutti i paesi.

According to the copyright and the civil law, the reproduction of this catalogue, or any part of this one, by electronic, mechanical methods, by means of photocopies, microfilms, recordings or other, is peremptorily forbidden. Rights are reserved for all countries.

Aux termes de la loi sur le droit d'auteur et du code civil, la reproduction de ce catalogue ou même d'une partie, avec n'importe quelle méthode, électronique, mécanique, par photocopies, microfilms enregistrement ou d'autres, est formellement interdite. Tous les droits sont réservés pour tous les pays.

Das Urheberrechtsgesetz und das bürgerliche Gesetzbuch verbieten die Reproduktion dieses Katalogs oder irgendeines von seinen Teilen durch elektronische, mechanische Mittel, Fotokopien, Mikrofilme, Aufnahmen oder irgendwelches Mittel.

Disegni, caratteristiche e codifiche, possono essere soggetti a modifiche e variazioni. Al fine di un miglioramento tecnologico e qualitativo.

MTA S.p.A. si riserva la facoltà di effettuare cambiamenti senza nessun preavviso.

Drawings, specifications and reference numbers may be modified and changed.

MTA S.p.A. reserves itself the right, to make changes for technical or quality improvements, without any notice.

Les dessins, les caractéristiques et les références peuvent être modifiés ou changés. MTA S.p.A. se réserve le droit d'apporter n'importe quel changement pour des améliorations techniques ou qualitatives sans donner aucun préavis.

Zeichnungen, Kennzeichen und Kodifikationen können Änderungen erfahren.

Um technische und qualitative Verbesserungen zu erreichen, behält sich die Firma MTA S.p.A. das Recht, ohne vorherige Benachrichtigung, Änderungen zu machen.

Per conoscere i distributori e gli agenti di MTA nel mondo potete consultare il sito www.mta.it

To know MTA agents and distributors in the world please go to www.mta.it

Pour connaître les agents et distributeurs de MTA dans le monde Vous pouvez consulter notre site www.mta.it

Weltweite MTA Vertriebsfirmen und Vertreter finden Sie unter www.mta.it

BRANCHES

MTA Brasil Ltda - infobrazil@mta.it

MTA Polska Sp. z o.o. - infopoland@mta.it

MTA Slovakia s.r.o. - infoslovakia@mta.it

MTA USA Corp. - infousa@mta.it

MTA India Pvt. Ltd. - infoindia@mta.it



HEADQUARTERS
MTA S.p.A. - Italy

www.mta.it
infoitaly@mta.it

Ref. 9951220



8 010266 113705