

# PRODUCT CATALOGUE



# Index

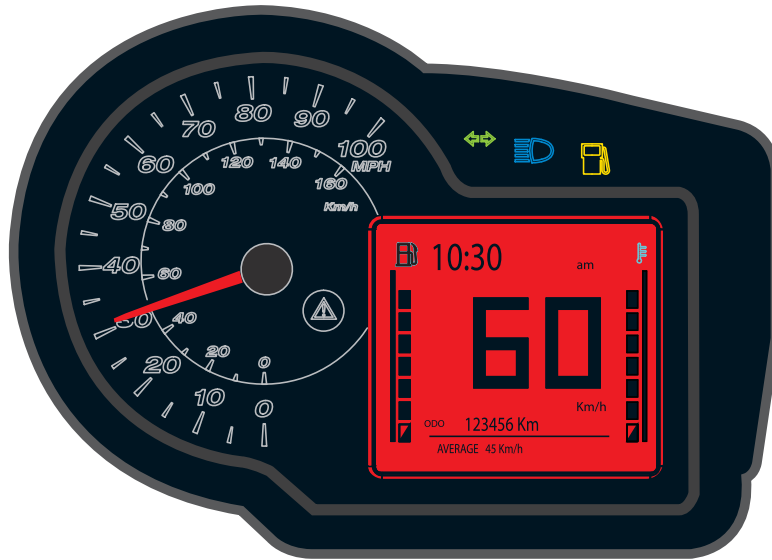
DASHBOARDS	2
ELECTRONICS	5
FUSES	6
POWER DISTRIBUTION BOXES	12
MODULAR FUSE/RELAY HOLDERS	17
MODULAR FUSE/RELAY HOLDER UNITS	24
POWER DISTRIBUTION UNITS	26
FUSE/RELAY BOXES	28
1 WAY FUSE/RELAY HOLDERS	33
ADAPTERS & FIXING PLATES	44
CONNECTORS	48
BATTERY TERMINALS	64
TERMINALS	71
SPARK PLUGS & CAPS	99
RADIATOR / OIL / GASOLINE CAPS	103
SENSORS	107
CABLES	111

# EASY



DESCRIPTION	P/N	M.O.Q.
INSTRUMENT CLUSTER WITH 1 SEGMENT LCD, 1 GAUGE, 8 TELLTALES	6100033	TBD

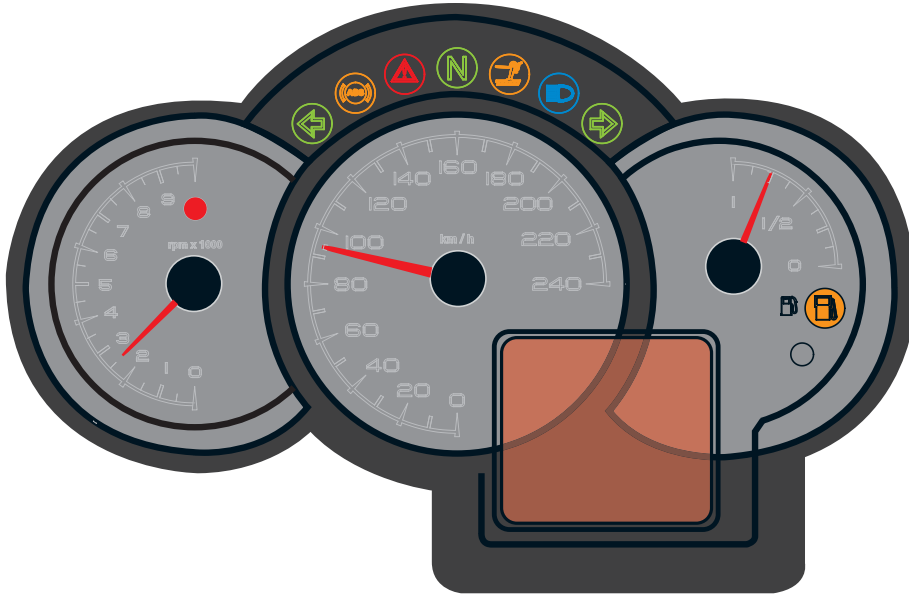
# MATRIX1



DESCRIPTION	P/N	M.O.Q.
INSTRUMENT CLUSTER WITH 1 DOT MATRIX LCD, 1 GAUGE, 8 TELLTALES	6100034	TBD

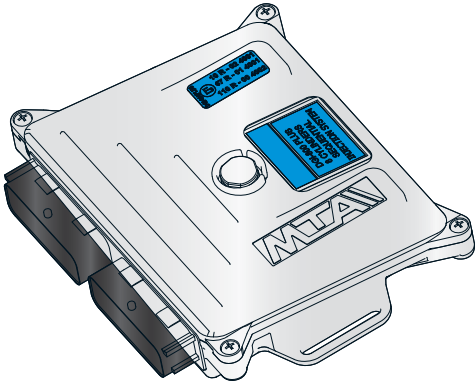


# SATURN

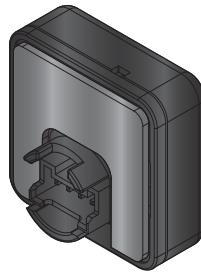


DESCRIPTION	P/N	M.O.Q.
INSTRUMENT CLUSTER WITH 1 DOT MATRIX LCD, 3 GAUGES, 11 TELLTALES	6100035	TBD

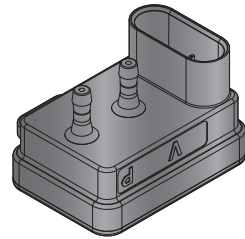
# DGI



1



2

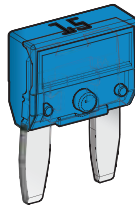


3

IMG	DESCRIPTION	P/N	M.O.Q.
1	DGI 800 PLUS 4 Cylinders CNG 1 CAN Line: 1 K-line (OBD); 1 serial line for calibration and diagnosis. IP 67 Proof. 10 g Vibration certified	6200035	50
	DGI 800 PLUS 4 Cylinders LPG 1 CAN Line: 1 K-line (OBD); 1 serial line for calibration and diagnosis. IP 67 Proof. 10 g Vibration certified	6200036	50
	DGI 800 PLUS 6-8 Cylinders CNG 1 CAN Line: 1 K-line (OBD); 1 serial line for calibration and diagnosis. IP 67 Proof. 10 g Vibration certified	6200037	50
	DGI 800 PLUS 6-8 Cylinders LPG 1 CAN Line: 1 K-line (OBD); 1 serial line for calibration and diagnosis. IP 67 Proof. 10 g Vibration certified	6200038	50
2	DCM 803 PROGRAMMABLE SWITCH WITH FUEL LEVEL AND LEVEL INDICATOR AND BUZZER	6200039	50
3	DDAP800 INJECTION PRESSION SENSOR	6200040	50

# FUSES

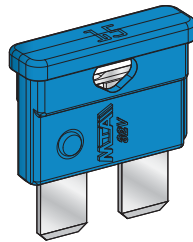
## MINIVAL®



AMP	DESCRIPTION	COLOUR		P/N BLISTER	M.O.Q.	P/N BULK	M.O.Q.	P/N BULK	M.O.Q.
2A	MINIVAL	■ Grey		0600090	500	0700090	200	0705090	5000
3A	MINIVAL	■ Violet		0600100	500	0700100	200	0705100	5000
4A	MINIVAL	■ Pink		0600101	500	0700101	200	0705101	5000
5A	MINIVAL	■ Beige		0600110	500	0700110	200	0705110	5000
7,5A	MINIVAL	■ Brown		0600120	500	0700120	200	0705120	5000
10A	MINIVAL	■ Red		0600130	500	0700130	200	0705130	5000
15A	MINIVAL	■ Blue		0600140	500	0700140	200	0705140	5000
20A	MINIVAL	■ Yellow		0600150	500	0700150	200	0705150	5000
25A	MINIVAL	□ Natural		0600160	500	0700160	200	0705160	5000
30A	MINIVAL	■ Green		0600170	500	0700170	200	0705170	5000

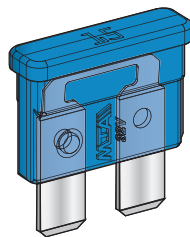
# FUSES

## UNIVAL®



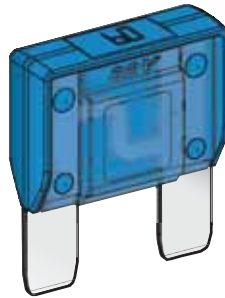
AMP	DESCRIPTION	COLOUR		P/N BLISTER	M.O.Q.	P/N BOX	M.O.Q.	P/N BULK	M.O.Q.	P/N BULK	M.O.Q.
1A	UNIVAL	■ Black				0600380	100	0700380	2000		
2A	UNIVAL	■ Grey				0600390	100	0700390	2000		
3A	UNIVAL	■ Violet				0600400	1000	0700300	2000	0710300	10000
4A	UNIVAL	■ Pink				0600401	1000	0700301	2000	0710301	10000
5A	UNIVAL	■ Beige		0600492	200	0600410	1000	0700310	2000	0710310	10000
7,5A	UNIVAL	■ Brown		0600493	200	0600420	1000	0700320	2000	0710320	10000
10A	UNIVAL	■ Red		0600494	200	0600430	1000	0700330	2000	0710330	10000
15A	UNIVAL	■ Blue		0600495	200	0600440	1000	0700340	2000	0710340	10000
20A	UNIVAL	■ Yellow		0600496	200	0600450	1000	0700350	2000	0710350	10000
25A	UNIVAL	□ Natural		0600497	200	0600460	1000	0700360	2000	0710360	10000
30A	UNIVAL	■ Green		0600498	200	0600470	1000	0700370	2000	0710370	10000
40A	UNIVAL	■ Orange				0600375	1000	0700375	2000	0710375	10000

# UNIVAL®



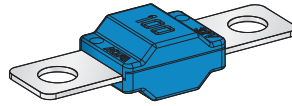
AMP	DESCRIPTION	COLOUR		P/N BULK	M.O.Q.	P/N BULK	M.O.Q.
3A	UNIVAL	Violet		0700500	2000		
5A	UNIVAL	Pink		0700510	2000	0710510	10000
7,5A	UNIVAL	Brown		0700520	2000	0710520	10000
10A	UNIVAL	Red		0700530	2000	0710530	10000
15A	UNIVAL	Blue		0700540	2000	0710540	10000
20A	UNIVAL	Yellow		0700550	2000	0710550	10000
25A	UNIVAL	Natural		0700560	2000	0710560	10000
30A	UNIVAL	Green		0700570	2000	0710570	10000

# MAXIVAL®



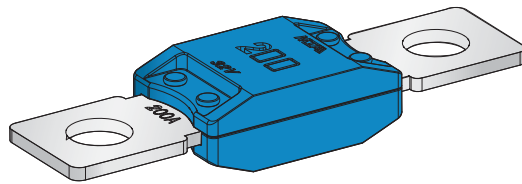
AMP	DESCRIPTION	COLOUR		P/N BOX	M.O.Q.	P/N BULK	M.O.Q.
20A	MAXIVAL	Yellow		0600900	100	0700900	1000
30A	MAXIVAL	Green		0600910	100	0700910	1000
40A	MAXIVAL	Orange		0600920	100	0700920	1000
50A	MAXIVAL	Red		0600930	100	0700930	1000
60A	MAXIVAL	Blue		0600940	100	0700940	1000
70A	MAXIVAL	Beige		0600950	100	0700950	1000
80A	MAXIVAL	Natural		0600960	100	0700960	1000
100A	MAXIVAL	Violet		0600970	100	0700970	1000

# MIDIVAL®



AMP	DESCRIPTION	COLOUR		P/N BOX	M.O.Q.	P/N BULK	M.O.Q.
30A	MIDIVAL	Orange		0602030	20	0702030	1000
40A	MIDIVAL	Green		0602040	20	0702040	1000
50A	MIDIVAL	Red		0602050	20	0702050	1000
60A	MIDIVAL	Yellow		0602060	20	0702060	1000
70A	MIDIVAL	Brown		0602070	20	0702070	1000
80A	MIDIVAL	White		0602080	20	0702080	1000
100A	MIDIVAL	Blue		0602100	20	0702100	1000
125A	MIDIVAL	Pink		0602125	20	0702125	1000

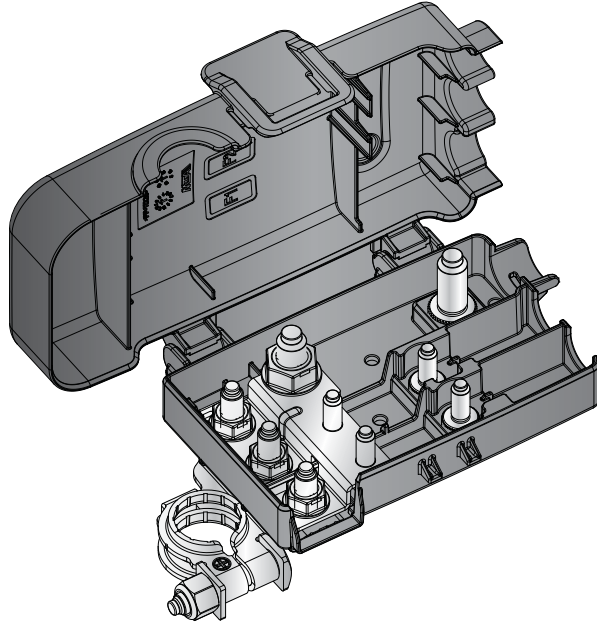
# MEGAVAL® & POWERVAL®



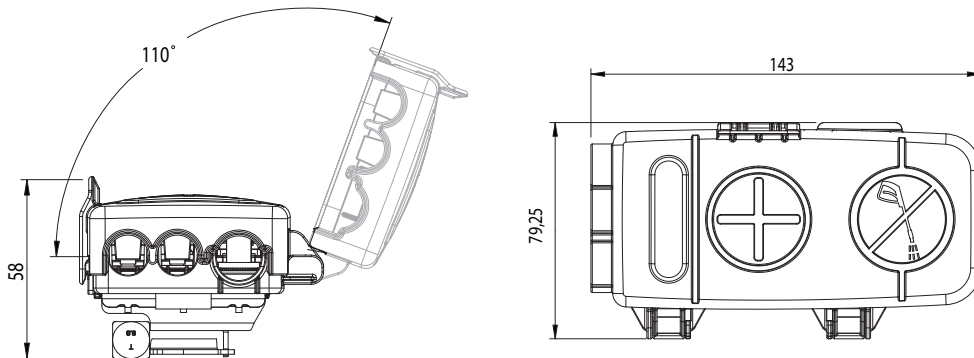
AMP	DESCRIPTION	COLOUR		P/N BOX	M.O.Q.	P/N BULK	M.O.Q.
100A	MEGAVAL	Yellow		0601100	20	0701100	1000
125A	MEGAVAL	Green		0601125	20	0701125	1000
150A	MEGAVAL	Orange		0601150	20	0701150	1000
175A	MEGAVAL	White		0601175	20	0701175	1000
200A	MEGAVAL	Blue		0601200	20	0701200	1000
225A	MEGAVAL	Beige		0601225	20	0701225	1000
250A	MEGAVAL	Pink		0601250	20	0701250	1000
500A	MEGAVAL	Brown		0601600	20	0701600	1000
CAL.1	POWERVAL	Grey		0601350	20	0701350	1000
CAL.2	POWERVAL	Black		0601400	20	0701400	1000
CAL.3	POWERVAL	Red		0601450	20	0701450	1000
CAL.4	POWERVAL	Brown		0601500	20	0701500	1000
CAL.5	POWERVAL	Wheat Grey		0601700	1	0701700	1000



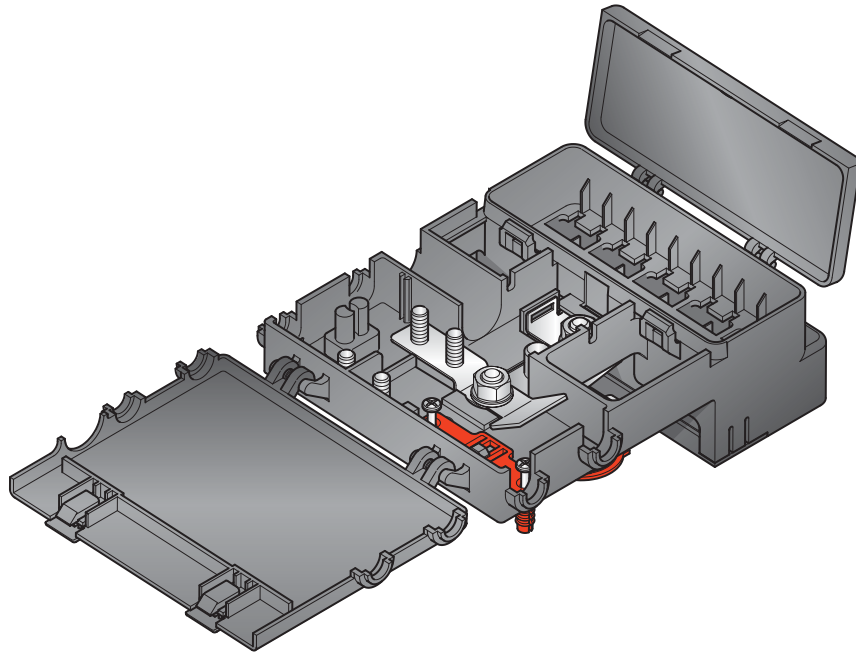
# CDB



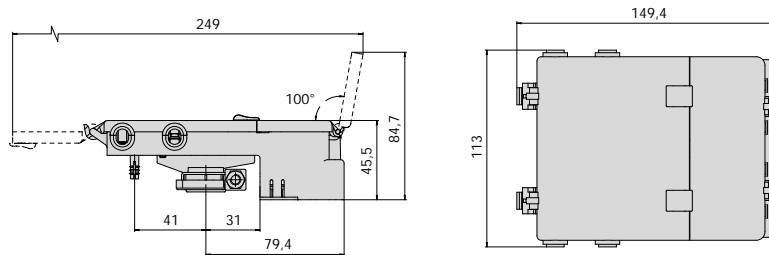
DESCRIPTION	P/N	M.O.Q.
PRE MOUNTED HOUSING FOR 2 MIDIVAL AND 1 CAL/MEGAVAL WITH BATTERY TERMINAL	0300839	50



# LINK BATT



DESCRIPTION	P/N	M.O.Q.
PRE MOUNTED HOUSING FOR 8 MAXIVAL AND 2 MIDIVAL	0100710	1



**CONNECTIONS AND FIXINGS**



4540315



4540345



4540325



4540335



4545100

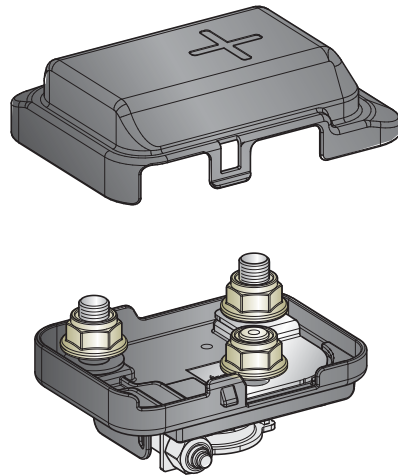


MIDI

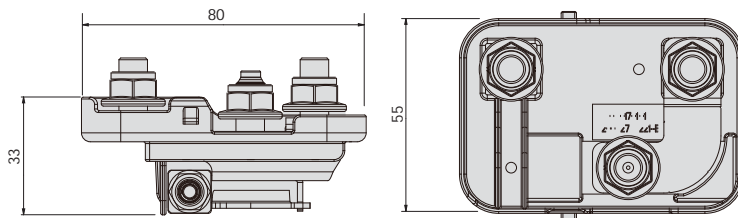


SQR-A

# CBA J81 L4



DESCRIPTION	P/N	M.O.Q.
PRE MOUNTED HOUSING FOR 1 MEGA/POWERVAL WITH COVER AND BATTERY TERMINAL	0101703	1

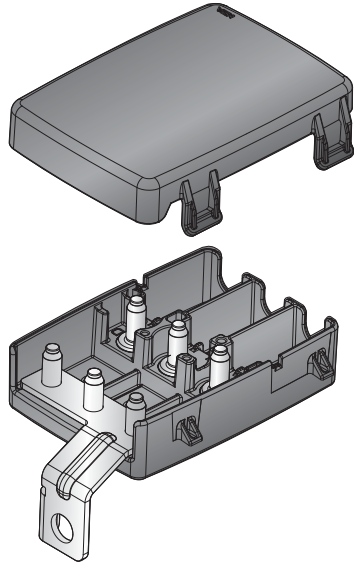


**CONNECTIONS AND FIXINGS**

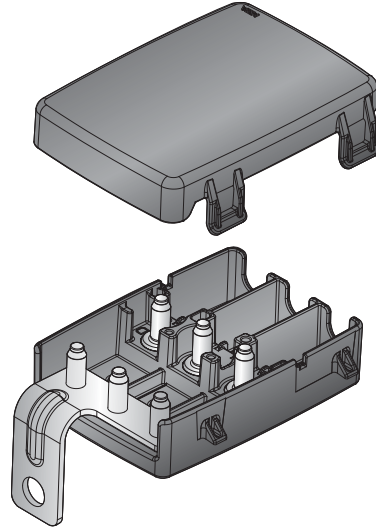


CBA J81 FL90

# FUSE HOLDER MIDIVAL 3 WAY

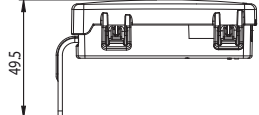
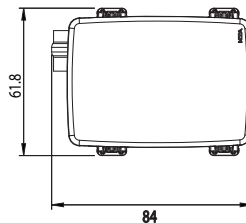
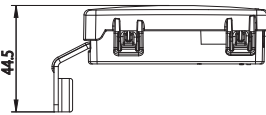
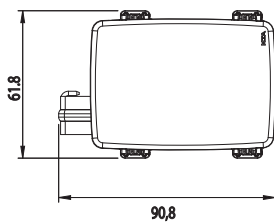


1



2

IMG	DESCRIPTION	P/N	M.O.Q.
1	PRE MOUNTED HOUSING DX FOR 3 MIDIVAL WITH COVER AND BUS BAR	0300442	1
2	PRE MOUNTED HOUSING SX FOR 3 MIDIVAL WITH COVER AND BUS BAR	0300468	1



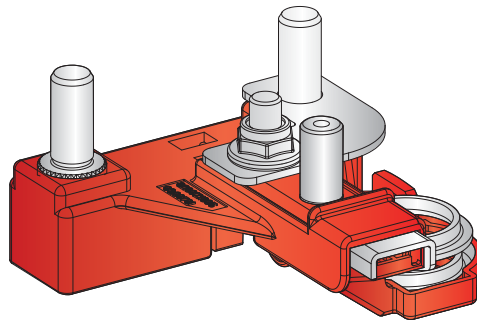
## CONNECTIONS AND FIXINGS



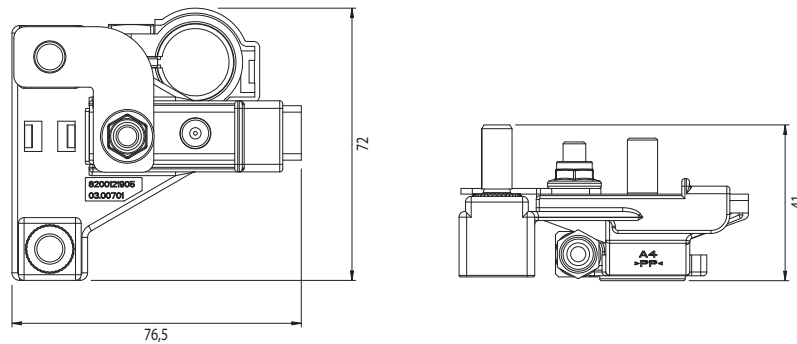
1705616 - 1705725  
1705715 - 1705745

IMG	1-2
-----	-----

# CBA X73



DESCRIPTION	P/N	M.O.Q.
PRE-MOUNTED HOUSING FOR 1 POWER/MEGAVAL WITH BATTERY TERMINAL	0100703	1



**CONNECTIONS AND FIXINGS**



1608180  
1608190

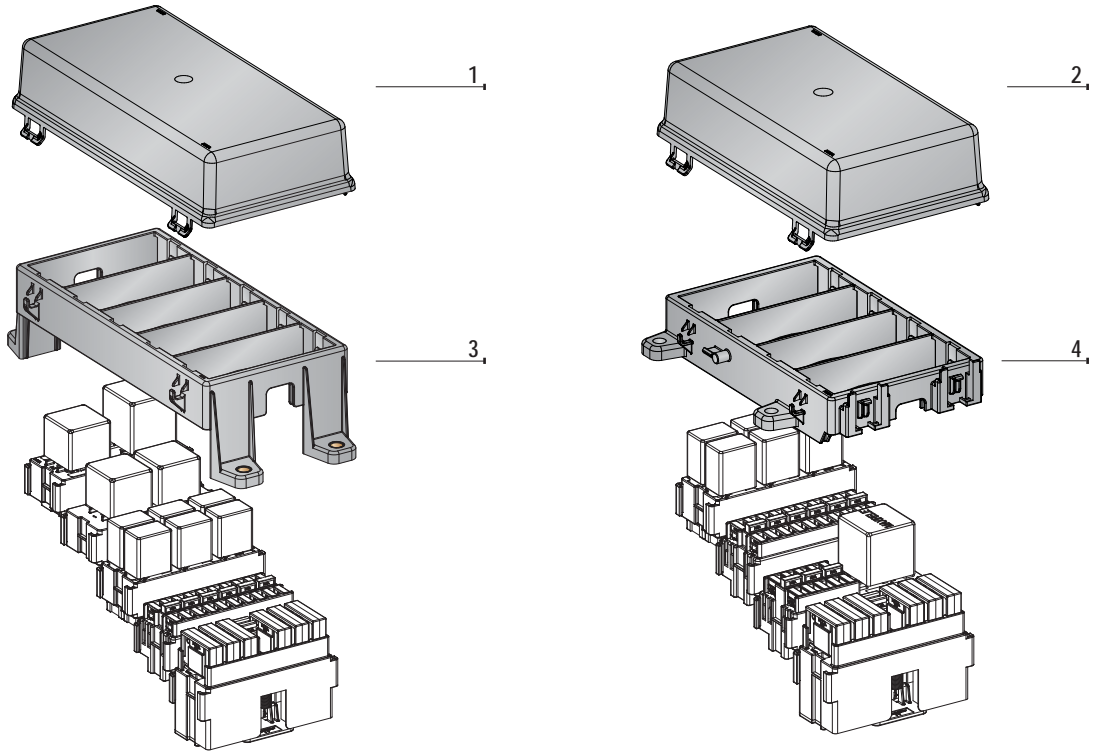


1708110  
1708120

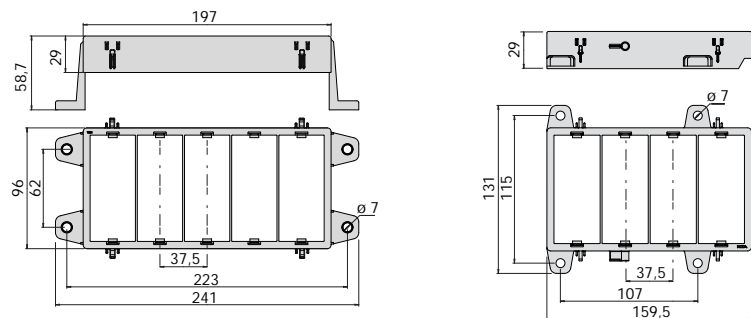


1608196

# FRAMES & COVERS



IMG	DESCRIPTION	WAY	MATERIAL	COLOUR		P/N BOX	M.O.Q.	P/N BULK	M.O.Q.
1	COVER	5	PP GF30	■ Grey		0101540	1	0301540	70
2	COVER	4	PP GF30	■ Grey		0101530	1	0301530	63
3	FRAME	5	PP GF30	■ Grey		0101450	1	0301450	85
4	FRAME	4	PP GF30	■ Grey		0101520	1	0301520	63



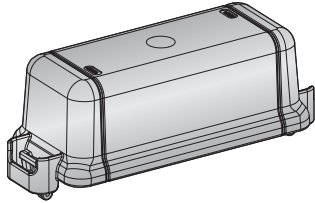
CONNECTIONS AND FIXINGS



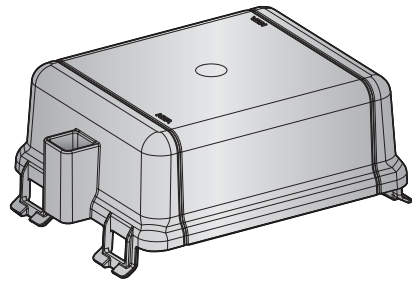
0301630

IMG	3+4
-----	-----

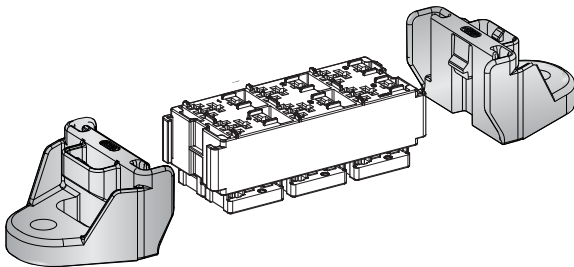
# BRACKETS & COVERS



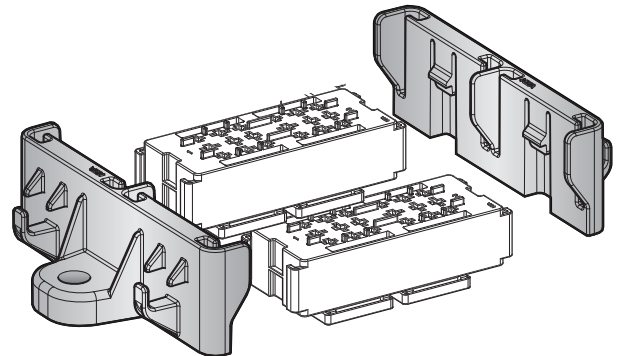
1



2

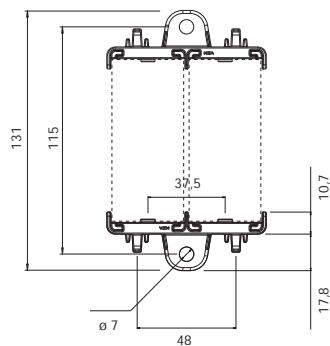
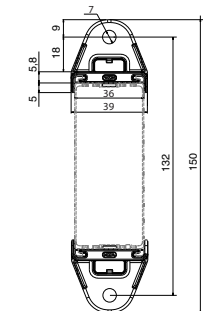
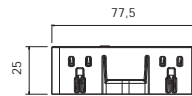
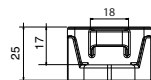


3

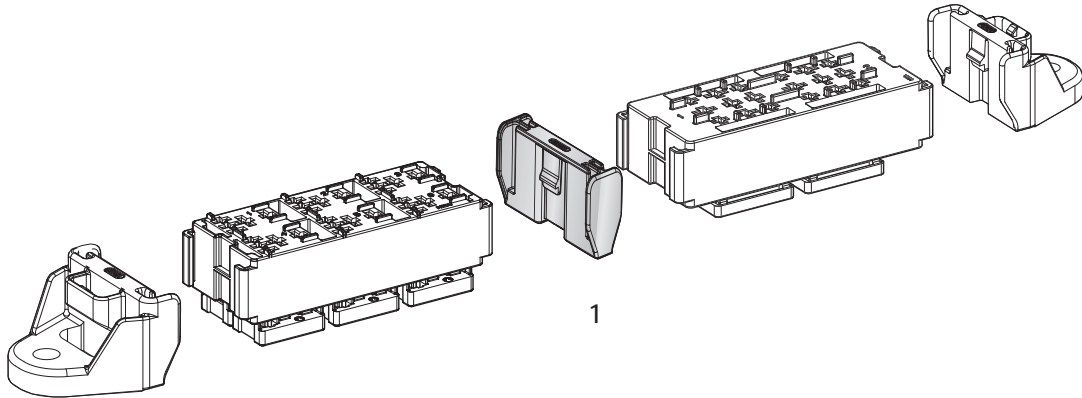


4

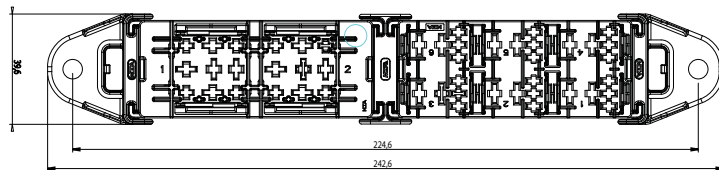
IMG	DESCRIPTION	WAY	MATERIAL	COLOUR		P/N BOX	M.O.Q.	P/N BULK	M.O.Q.
1	COVER	1	PP GF30	■ Grey		0101590	1	0301590	150
2	COVER	2	PP GF30	■ Grey		0101550	1	0301550	200
3	BRACKET	1	PP GF30	■ Grey		0101580	2	0301580	600
4	BRACKET	2	PP GF30	■ Grey		0100699	2	0300699	400



# BRACKETS & COVERS

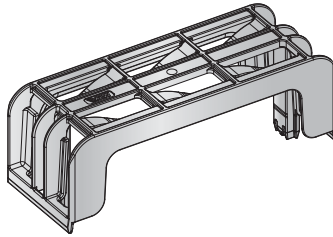


IMG	DESCRIPTION	WAY	MATERIAL	COLOUR		P/N BULK	M.O.Q.
1	BRACKET	1	PP GF30	■ Grey		0301620	250



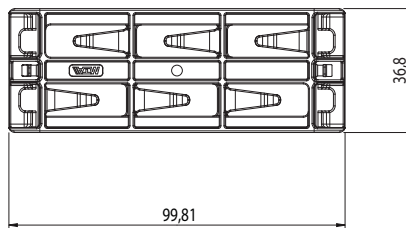
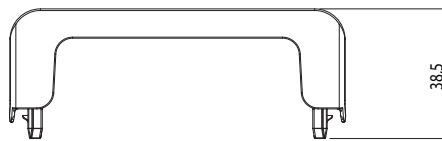


# BRACKETS & COVERS

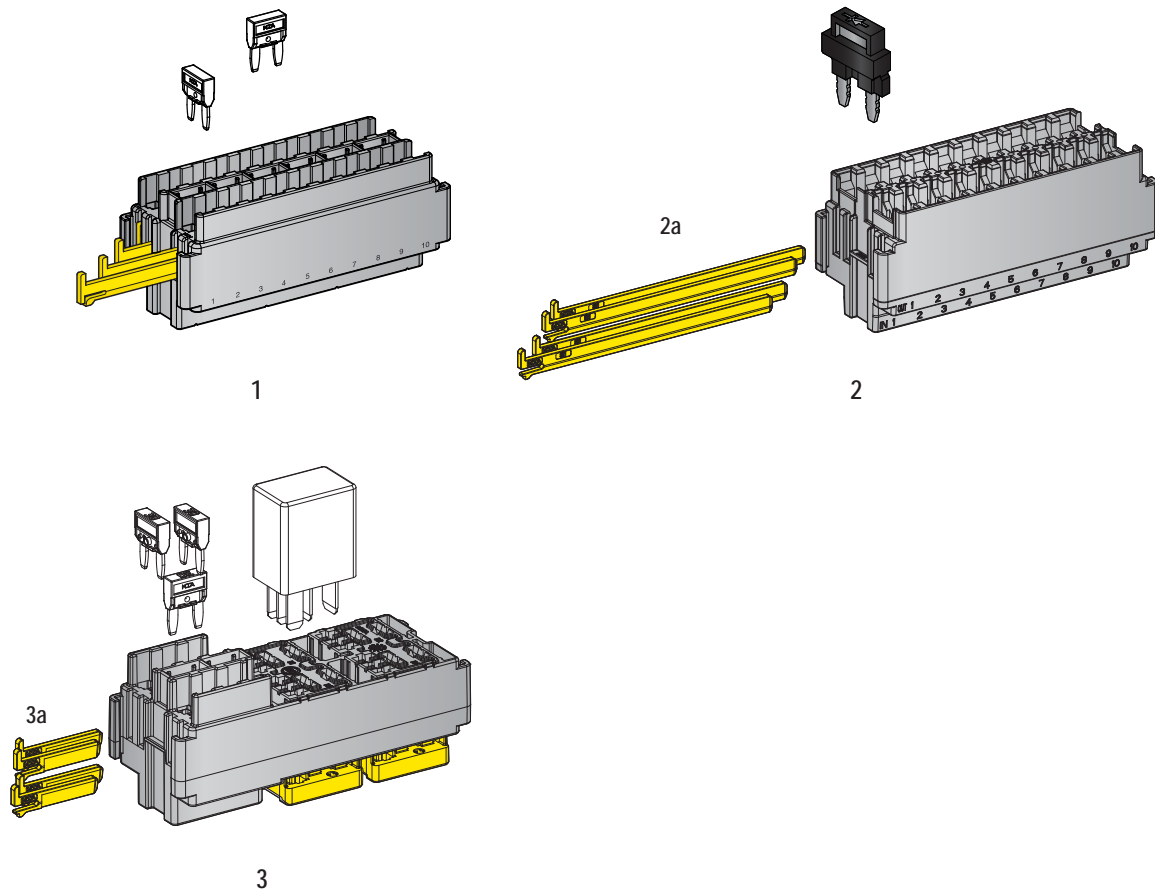


1

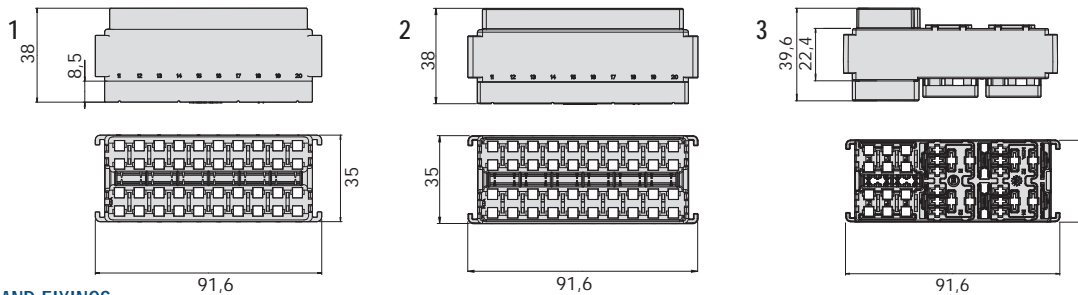
IMG	DESCRIPTION	MATERIAL	COLOUR		P/N BULK	M.O.Q.
1	COVER	PP 66 - GF13	■ Grey		0301630	350



# MODULES



IMG	DESCRIPTION	WAY	MATERIAL	COLOUR		P/N BOX	M.O.Q.	P/N BULK	M.O.Q.
1	MINIVAL MODULE	20	PA66 MD25	Grey		0101460	1	0301460	250
2	DIODES/MINIVAL MODULE	20	PA66 MD25	Grey				0301640	230
2a	SECONDARYLOCK		PA66 GF13	Yellow				0300793	7000
3	MINIVAL/MICRORELAY MODULE	6 + 4	PA66 MD25	Grey		0101560	1	0301560	300
3a	SECONDARY LOCK FOR MINIVAL		PA66 GF13	Yellow				0301561	9000

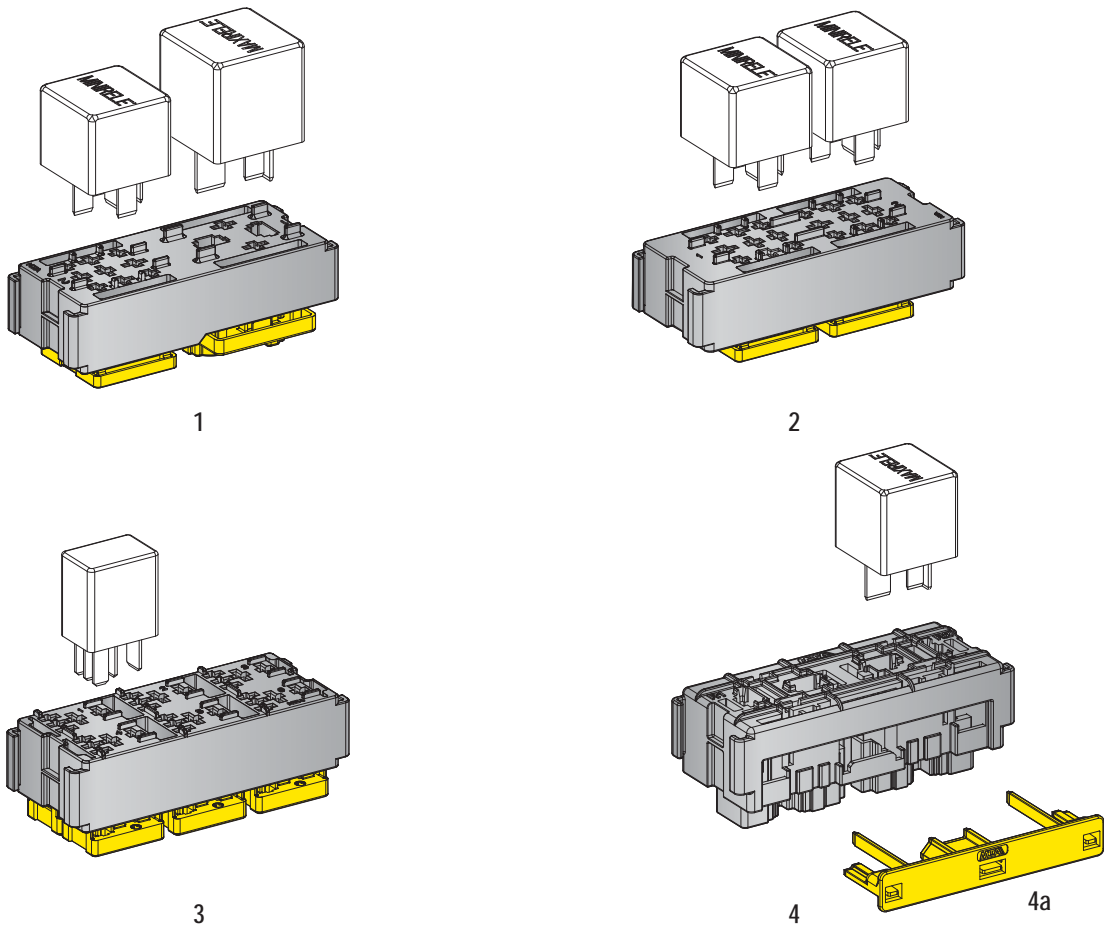


CONNECTIONS AND FIXINGS

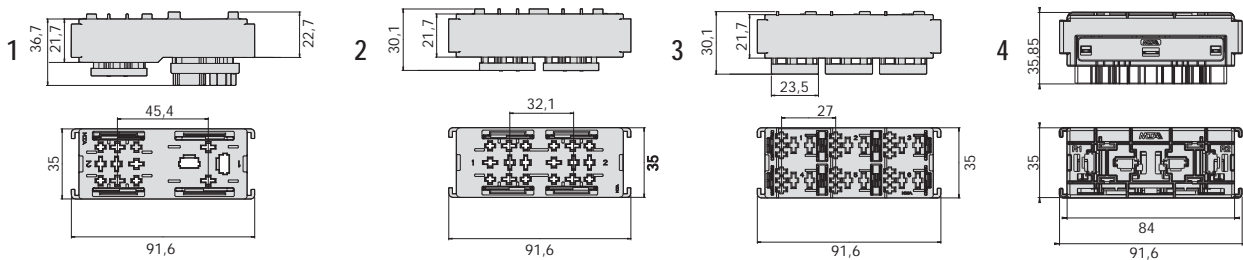


IMG	1+2+3	1+2+3	3	3	1+2+3
-----	-------	-------	---	---	-------

# MODULES



IMG	DESCRIPTION	WAY	MATERIAL	COLOUR		P/N BOX	M.O.Q.	P/N BULK	M.O.Q.
1	MINI/MAXIRELAY MODULE	1 + 1	PA66 MD25	Grey		0101490	1	0301490	300
2	MINIRELAY MODULE	2	PA66 MD25	Grey		0101500	1	0301500	300
3	MICRORELAY MODULE	6	PA66 MD25	Grey		0101480	1	0301480	300
4	MAXIRELAY MODULE	2	PA66 MD25	Grey				0301660	250
4a	SECONDARY LOCK		PA66 GF13	Yellow				0301661	TBD

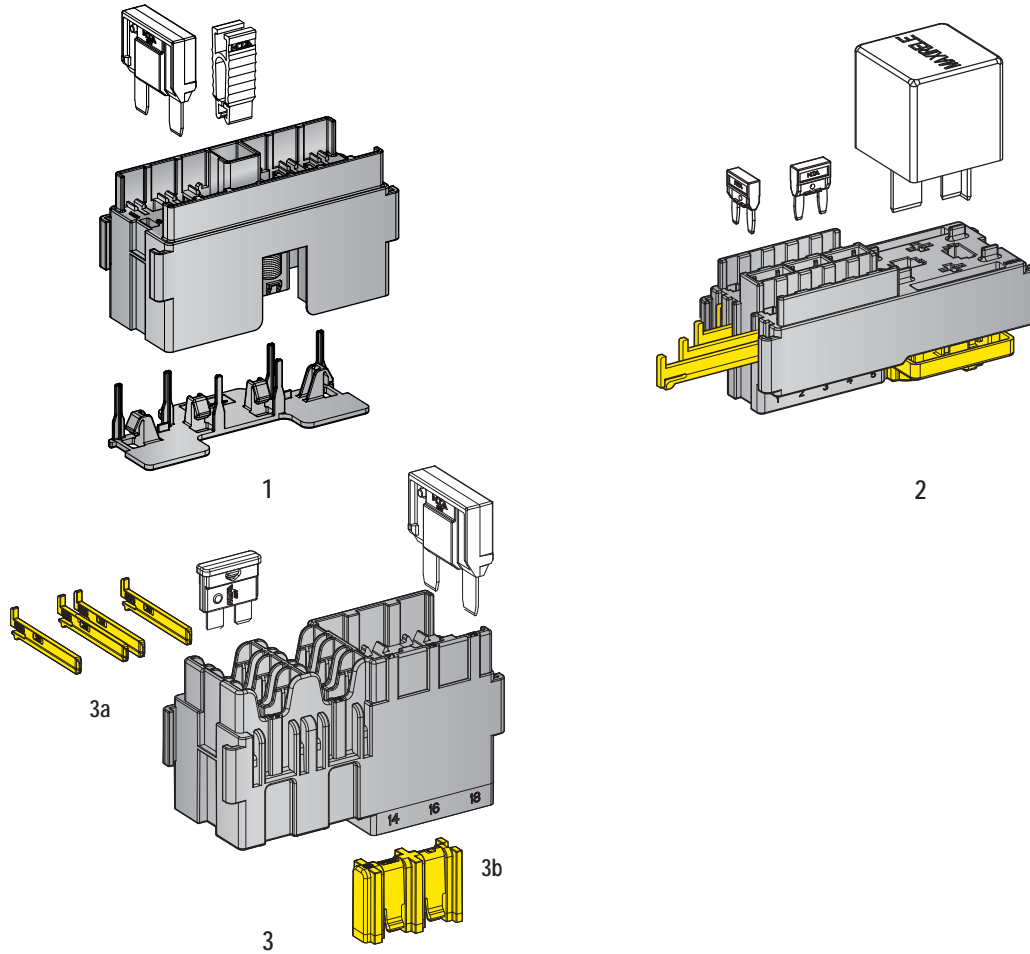


## CONNECTIONS AND FIXINGS

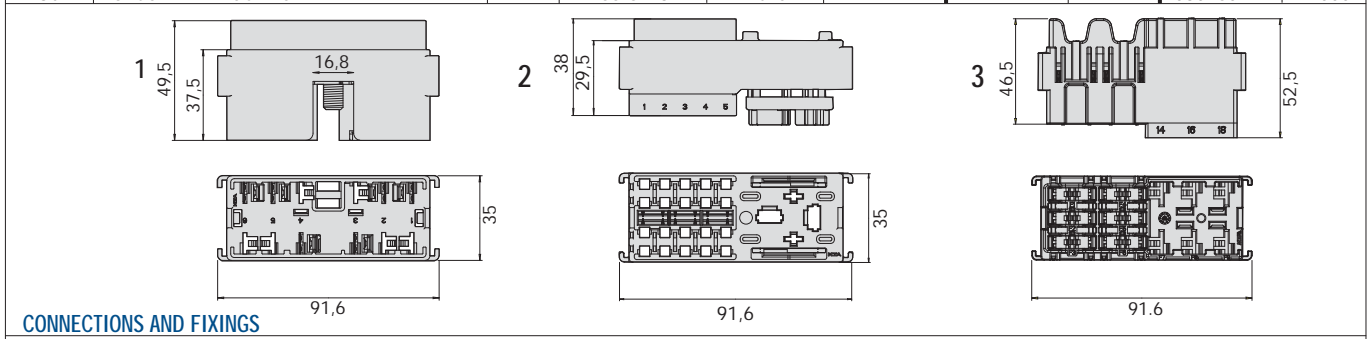


IMG	1+2+3	1+2+3	1+4	4	1+2+3+4

# MODULES



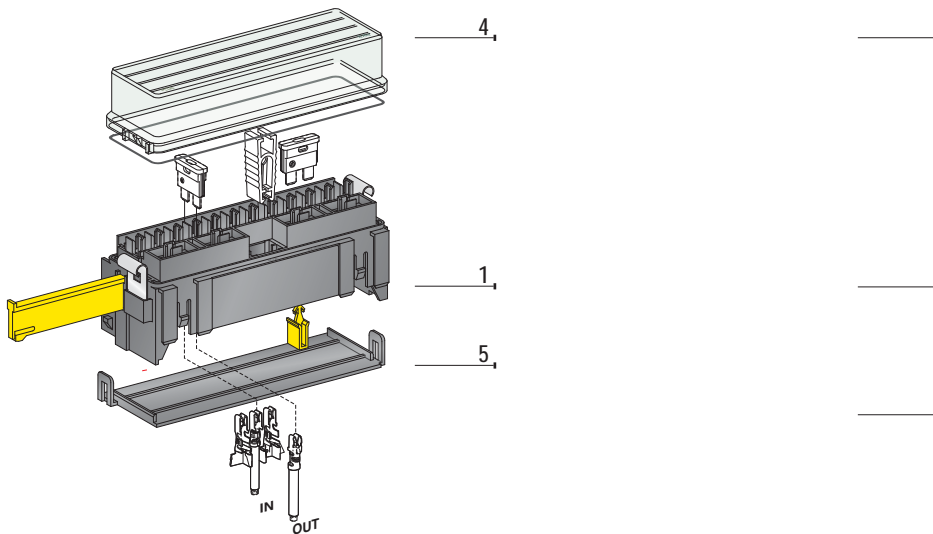
IMG	DESCRIPTION	WAY	MATERIAL	COLOUR	P/N BULK	M.O.Q.	P/N BULK	M.O.Q.
1	MAXIVAL MODULE	6	PBT GF20	Grey	0101470	1	0301470	162
2	MINIVAL/MAXIRELAY MODULE	10 + 1	PA66 MD25	Grey	0101510	1	0301510	300
3	MAXIVAL/UNIVAL MODULE	3 + 6	PA66 MD25	Grey			0301600	80
3a	SECONDARY LOCK FOR UNIVAL		PA66 GF13	Yellow			0301601	6000
3b	SECONDARY LOCK FOR MINIVAL		PA66 GF13	Yellow			0301602	2000



CONNECTIONS AND FIXINGS

IMG	1+3	2	2	2	2	3	3	1+2+3

# FUSE BOXES



IMG	DESCRIPTION	WAY	MATERIAL	COLOUR	P/N KIT WITH COVERS AND TERMINALS	M.O.Q.	P/N BULK	M.O.Q.
1	UNIVAL HOLDER	16	PA66 GF25	■ Black	0100655	16	0300650	36
2	MINI RELAY HOLDER	4	PA66 GF25	■ Black	0100665	16	0300660	72
3	MICRO RELAY HOLDER	7	PA66 GF25	■ Black	0100705	16	0300700	100
4	COVER WITH GASKET		PC	□ Natural			0300670	72
5	BOTTOM COVER		PA66	■ Black			0300680	72



0300690  
0300691



UNI F630  
BUS-BAR



UNI F630



FASTON F630 WITH  
LOCKING NOTCH



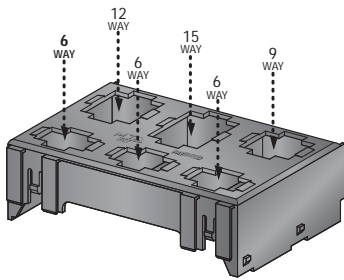
FASTON F480  
PASSO 5



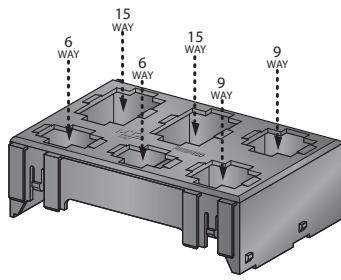
FASTON F630  
THICKNESS 0,35

IMG	1+2+3	1	1	2	3	3

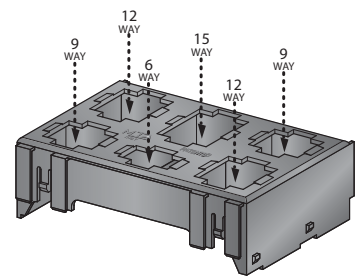
# CONNECTOR BOX



1

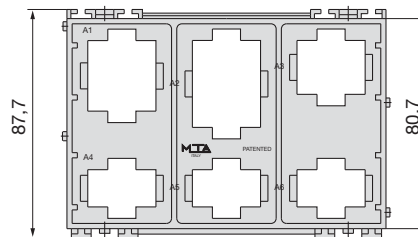
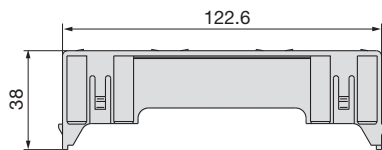


2



3

IMG	DESCRIPTION	WAY	MATERIAL	COLOUR		P/N BULK	M.O.Q.
1	CONNECTOR BOX	6	PA66 GF30	■ Black		0300681	125
2	CONNECTOR BOX	6	PA66 GF30	■ Black		0300683	125
3	CONNECTOR BOX	6	PA66 GF30	■ Black		0300684	125



## CONNECTIONS AND FIXINGS



4426120  
6 VIE / WAY



4426140  
9 VIE / WAY



4426160  
12 VIE / WAY



4426180  
15 VIE / WAY

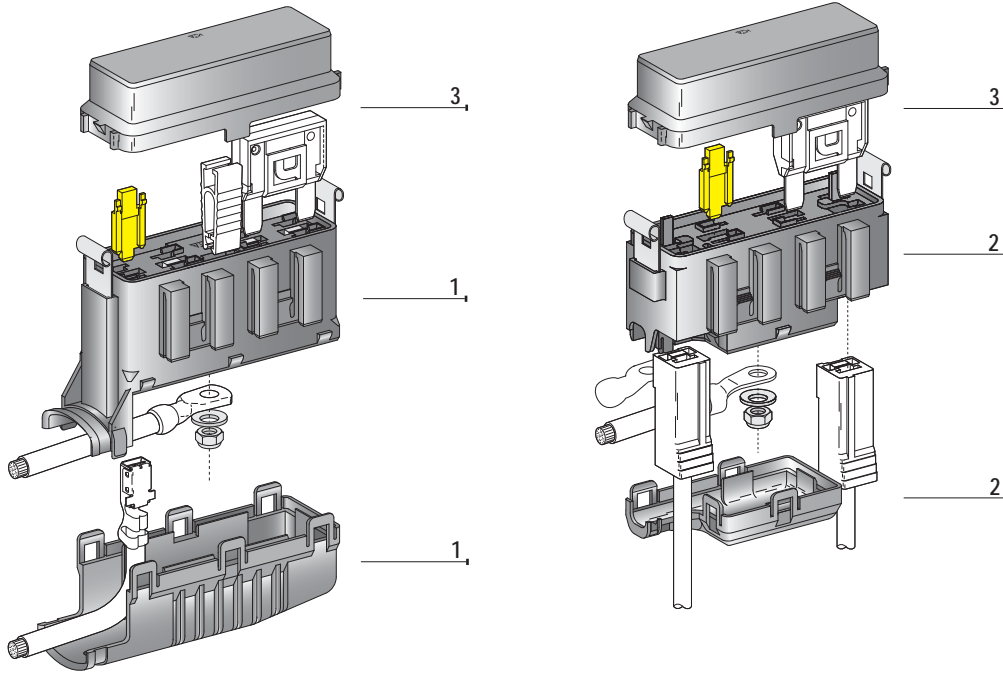


0300690

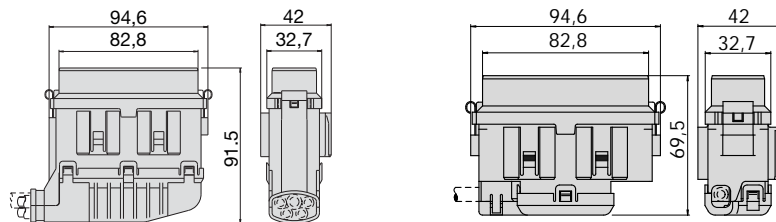


0300691

# LINK BOX



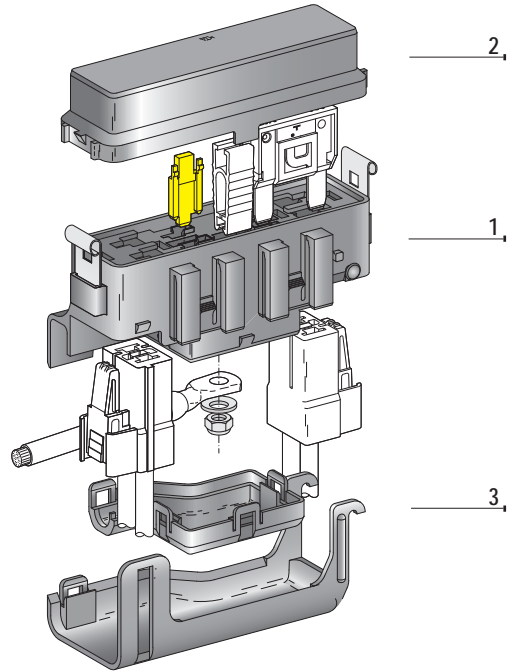
IMG	DESCRIPTION	WAY	MATERIAL	COLOUR	P/N KIT WITH COVERS	M.O.Q.	P/N BULK	M.O.Q.
1	HOUSING + BOTTOM COVER + S.LOCK + NUT	4	PA66 GF25 PA66	■Black	0100500	5	0300500	200
2	HOUSING + BOTTOM COVER + S.LOCK + NUT	2	PA66 GF25 PA66	■Black	0100900	10	0300900	200
3	COVER WITH GASKET		PA66 GF25	■Black			0300950	200



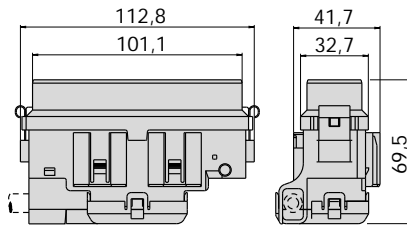
## CONNECTIONS AND FIXINGS

0300949	0300851	0300690	0300691	F800	1605000	GND L32 M6	4540145	4540135	4545100
IMG	1+2	1+2	1+2	1+2	1	2	2	2	2

# LINK BOX



IMG	DESCRIPTION	WAY	MATERIAL	COLOUR	P/N KIT WITH COVERS	M.O.Q.	P/N BULK	M.O.Q.
1	HOUSING + BOTTOM COVER + S.LOCK + NUT	4	PA66 GF25 PA66	■Black	0100800	5	0300800	150
2	UPPER COVER WITH GASKET		PA66 GF25	■Black			0300850	150
3	WIRE'S COVER		PA66	■Black			0300849	400



## CONNECTIONS AND FIXINGS



0300949



0300848



0300691



F800



1605000



4540315



4540345



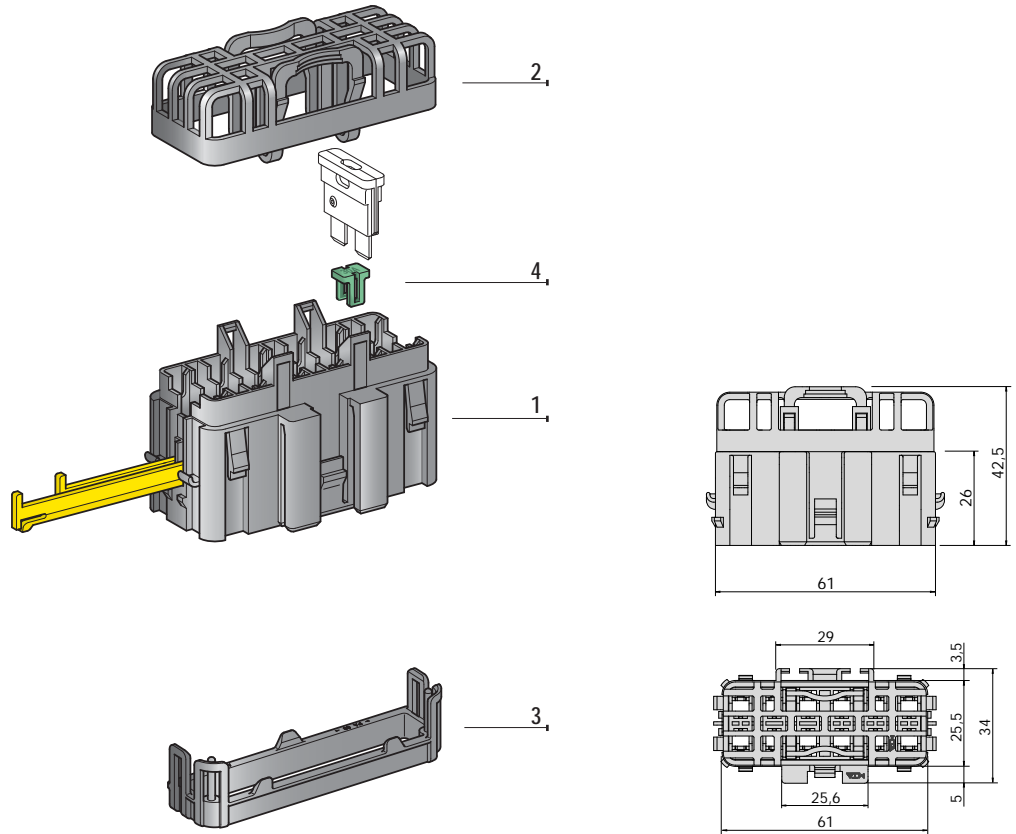
0300851



4545100



# 6-WAY U.P.L.



IMG	DESCRIPTION	WAY	MATERIAL	COLOUR		P/N KIT WITH TERMINALS	M.O.Q.	P/N BULK	M.O.Q.
1	HOUSING	6	PA66 GF25	■ Black				0303006	600
2	COVER		PA66 GF30	■ Black				0303009	600
3	WIRE'S COVER		PA66	■ Black				0303008	1200
4	IDENTIFICATION INSERT	3 AMP	PBT GF20	■ Violet				0303003	500
	IDENTIFICATION INSERT	5 AMP	PBT GF20	■ Beige				0303005	500
	IDENTIFICATION INSERT	7,5 AMP	PBT GF20	■ Brown				0303007	500
	IDENTIFICATION INSERT	10 AMP	PBT GF20	■ Red				0303010	500
	IDENTIFICATION INSERT	15 AMP	PBT GF20	■ Blue				0303015	500
	IDENTIFICATION INSERT	20 AMP	PBT GF20	■ Yellow				0303020	500
	IDENTIFICATION INSERT	25 AMP	PBT GF20	□ White				0303025	500
	IDENTIFICATION INSERT	30 AMP	PBT GF20	■ Green				0303030	500
	KIT WITH TERMINALS					0103000	1		

## CONNECTIONS AND FIXINGS



0300949



0300851



0300690



0300691

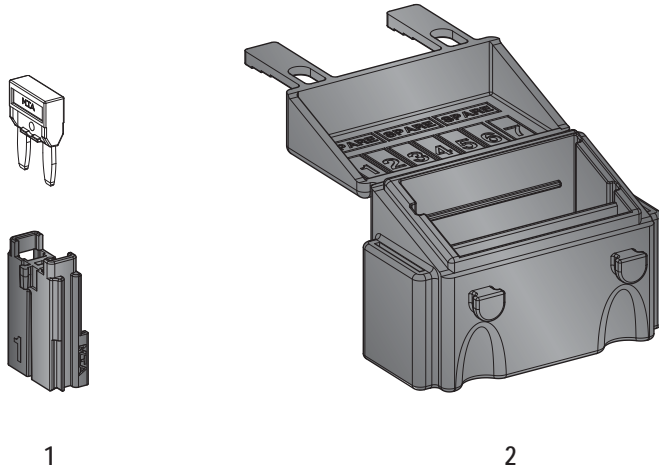


UNI F630  
BUS-BAR



UNI F630

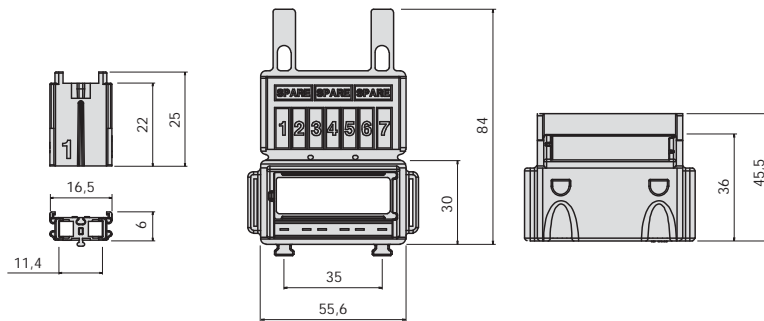
# SML



1

2

IMG	DESCRIPTION	WAY	MATERIAL	COLOUR	P/N KIT WITH TERMINALS	M.O.Q.	P/N	M.O.Q.
1	HOUSING	1	PA66 GF30	■ Black			0301420	2800
2	MODULE FOR MINIVAL	7	EPDM-60	■ Black			0301430	400
	MODULE FOR MINIVAL KIT WITH TERMINALS	7	EPDM-60-D15	■ Black	0301435	1	0301431	400

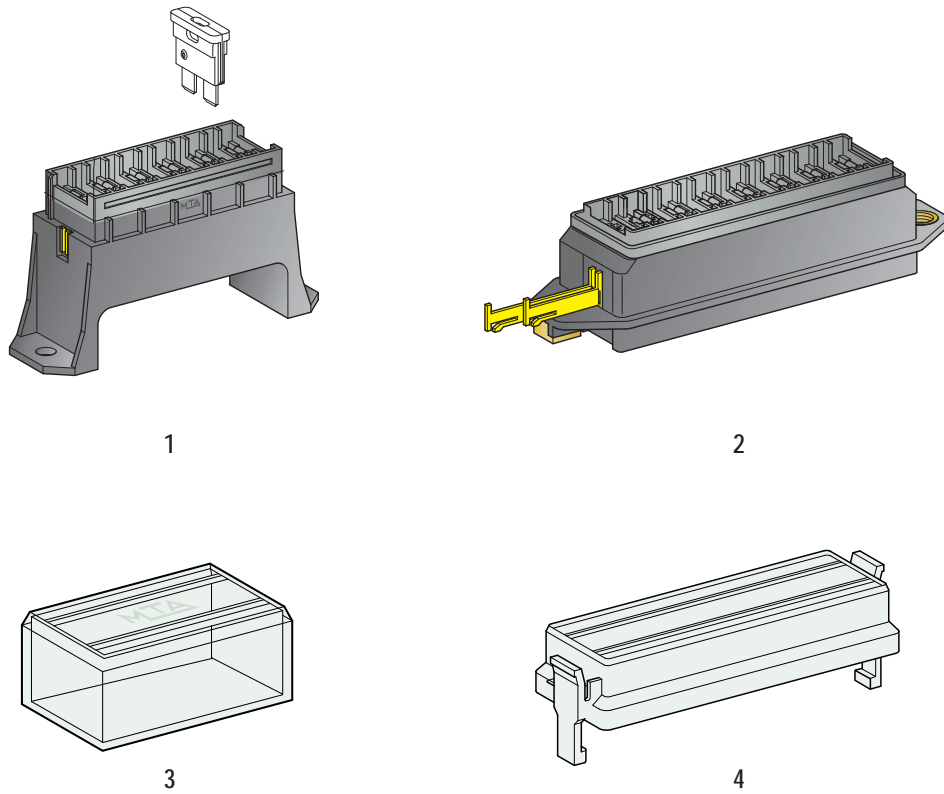


CONNECTIONS AND FIXINGS

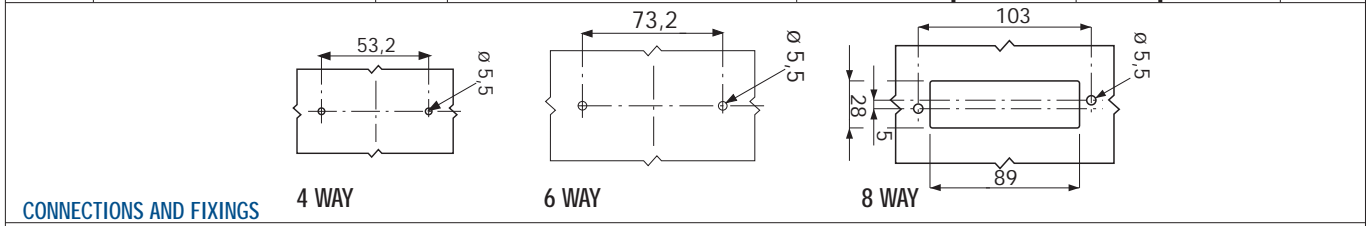


F280

# AXIAL EXITS

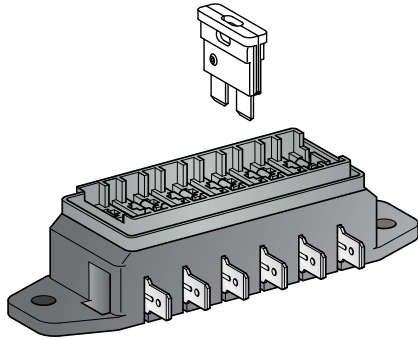


IMG	DESCRIPTION	WAY	MATERIAL	COLOUR	P/N KIT WITH COVER	M.O.Q.	P/N BULK	M.O.Q.
1	HOUSING WITH TERMINALS	4	PA66 GF30	■ Black	0100540	10	0300540	500
	HOUSING W/OUT TERMINALS	4	PA66 GF30	■ Black			0300541	500
	HOUSING WITH TERMINALS	6	PA66 GF30	■ Black	0100560	10	0300560	500
	HOUSING W/OUT TERMINALS	6	PA66 GF30	■ Black			0300561	500
2	HOUSING WITH TERMINALS	8	PA66 GF30	■ Black	0100580	10	0300580	300
	HOUSING W/OUT TERMINALS	8	PA66 GF30	■ Black			0300581	300
3	COVER	4	PC	□ Natural			0300542	500
	COVER	6	PC	□ Natural			0300562	500
4	COVER WITH GASKET	8	PA 12	□ Natural			0300582	150

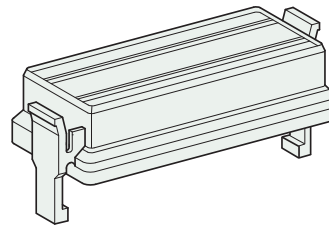


UNI F630	UNI F630	
IMG	1+2	1+2

# LATERAL EXITS

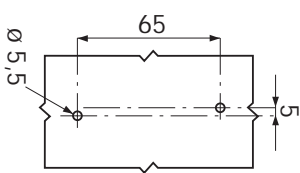


1

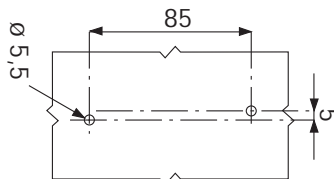


2

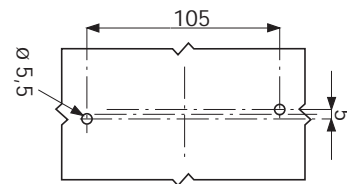
IMG	DESCRIPTION	WAY	MATERIAL	COLOUR	P/N KIT WITH COVER	M.O.Q.	P/N BULK	M.O.Q.
1	HOUSING WITH TERMINALS	4	PA66 GF30	■ Black	0100610	10	0300610	500
	HOUSING WITH TERMINALS	6	PA66 GF30	■ Black	0100600	10	0300600	400
	HOUSING WITH TERMINALS	8	PA66 GF30	■ Black	0100590	10	0300590	300
2	COVER WITH GASKET	4	PA12	□ Natural			0300612	500
	COVER WITH GASKET	6	PA12	□ Natural			0300602	400
	COVER WITH GASKET	8	PA12	□ Natural			0300582	300



4 WAY

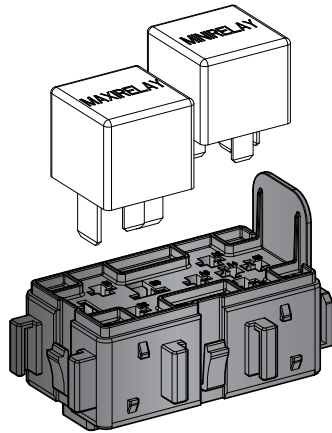


6 WAY

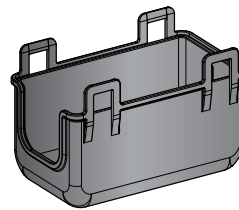


8 WAY

# RELAY HOLDER

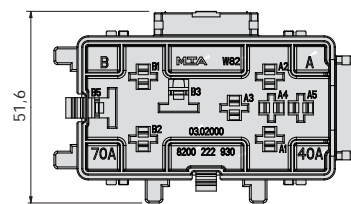
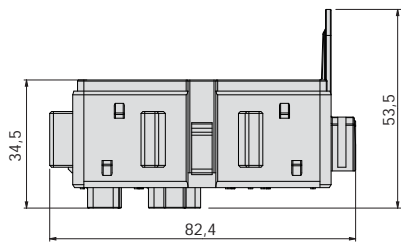


1



2

IMG	DESCRIPTION	WAY	MATERIAL	COLOUR	P/N BOX	M.O.Q.	P/N BULK	M.O.Q.
1	HOLDER FOR MAXI AND MINI RELAY	2	PBT GF20	■Black	0102000	1	0302000	240
2	UPPER AND BOTTOM COVER		PP	■Black	0102001	1	0302001	240



## CONNECTIONS AND FIXINGS

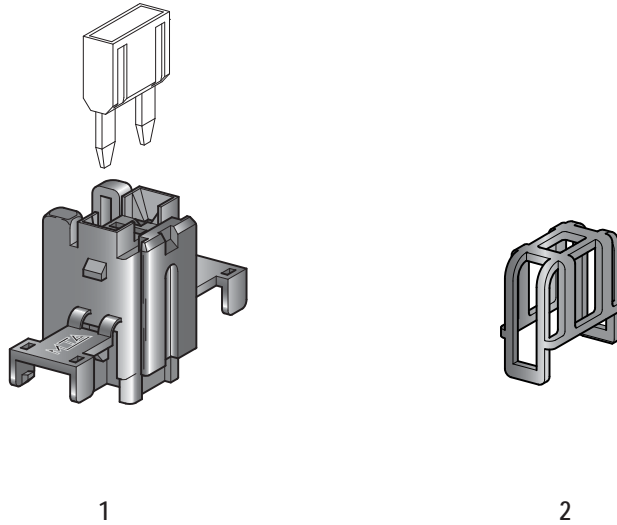


L-TYPE F950

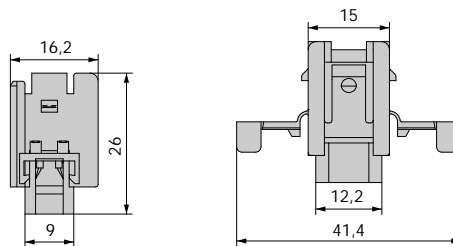


NG1 6,3

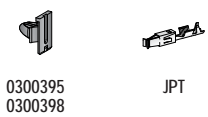
# MINIVAL<sup>®</sup> IN-LINE HOLDER



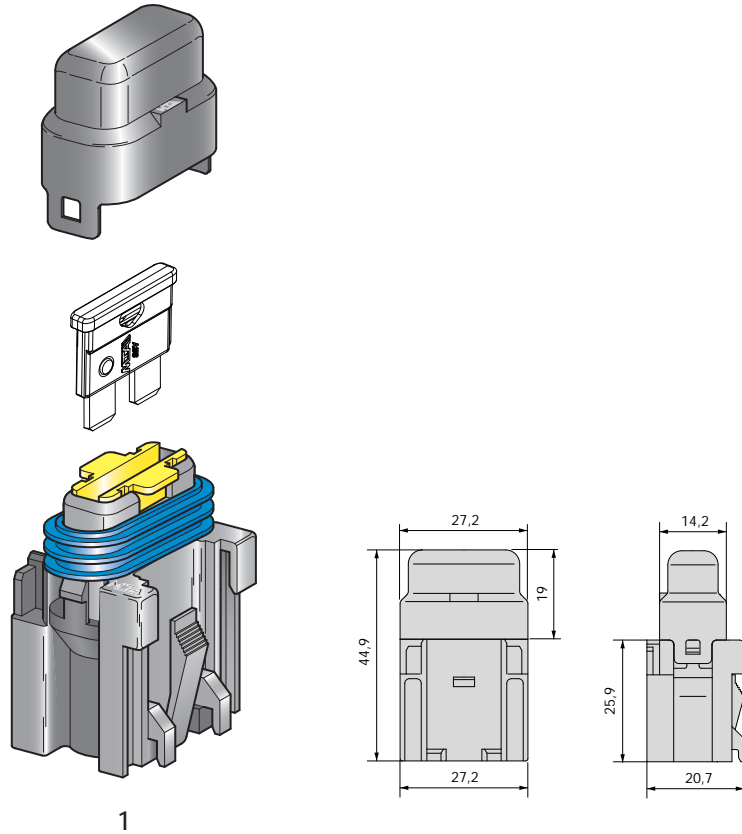
IMG	DESCRIPTION	WAY	MATERIAL	COLOUR	P/N BOX	M.O.Q.	P/N BULK	M.O.Q.	P/N BULK	M.O.Q.
1	HOUSING	1	PA66	■Black	0101400	5	0301400	200	0301410	2000
2	COVER		PA66	■Black	0100416	5			0300416	2000
	KIT WITH TERMINALS				3050152	1				



## CONNECTIONS AND FIXINGS



# SPLASH PROOF UNIVAL® HOLDER



1

IMG	DESCRIPTION	WAY	MATERIAL	COLOUR	S. LOCK COLOUR	P/N BOX	M.O.Q.	P/N BOX	M.O.Q.	P/N BULK	M.O.Q.
1	S.P. HOLDER+ COVER	1	PA66	Black	Black						
	+ SECONDARYLOCK 1 AMP		PBT GF20		Black					0301301	1500
	+ SECONDARYLOCK 5 AMP		PBT GF20		Beige			0302305	100	0301305	1500
	+ SECONDARYLOCK 7,5 AMP		PBT GF20		Brown					0301307	1500
	+ SECONDARYLOCK 10 AMP		PBT GF20		Red			0302310	100	0301310	1500
	+ SECONDARYLOCK 15 AMP		PBT GF20		Blue			0302315	100	0301315	1500
	+ SECONDARYLOCK 20 AMP		PBT GF20		Yellow	0101320	50	0302320	100	0301320	1500
	+ SECONDARYLOCK 25 AMP		PBT GF20		Natural			0302325	100	0301325	1500
	+ SECONDARYLOCK 30 AMP		PBT GF20		Green			0302330	100	0301330	1500
	KIT WITH TERMINALS, AND GASKET FIXING PLATE					3050153	1				

## CONNECTIONS AND FIXINGS



0300848



0300949



0300851



0300856



0300392



0300440



0300430



0300697

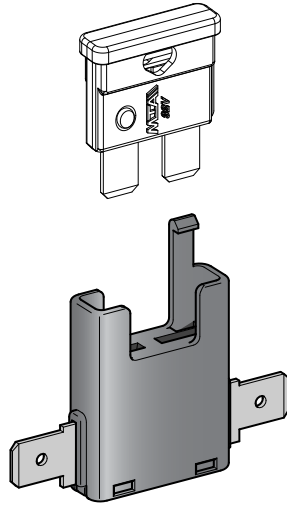


0300698



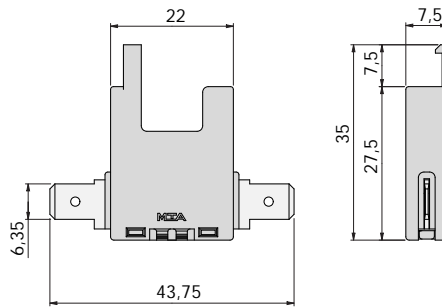
UNI F630

# UNIVAL<sup>®</sup> NKA HOLDER



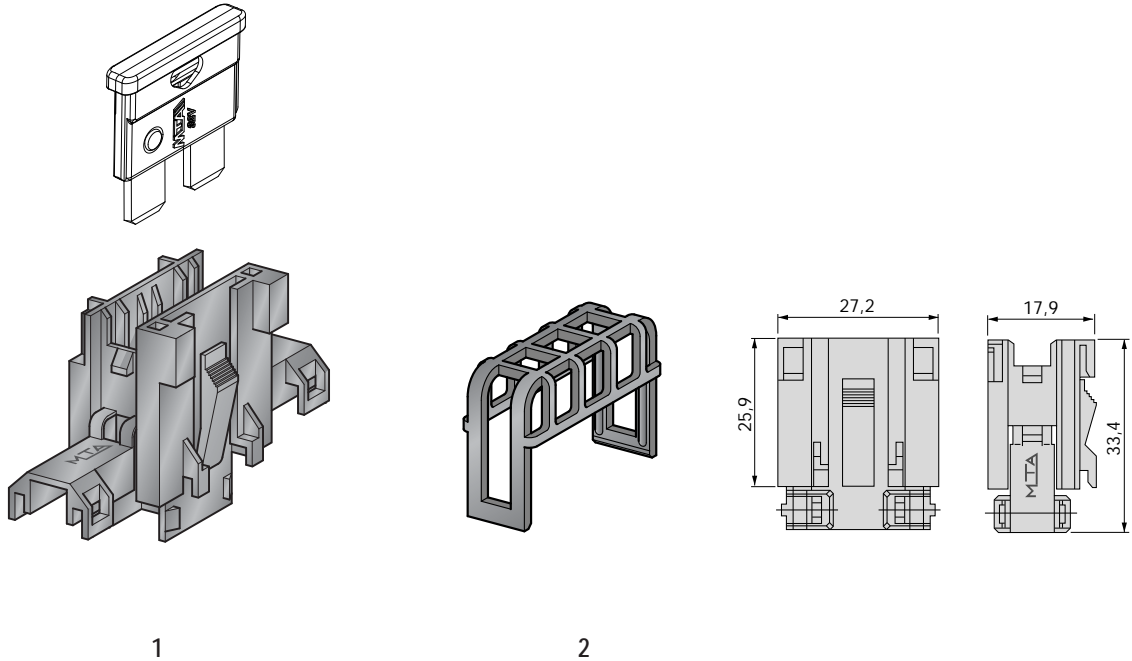
1

IMG	DESCRIPTION	WAY	MATERIAL	COLOUR	P/N BOX	M.O.Q.	P/N BULK	M.O.Q.
1	NKA FUSEHOLDER	1	PA66	■ Black	0100345	50	0300345	2000





# UNIVAL<sup>®</sup> HOLDER

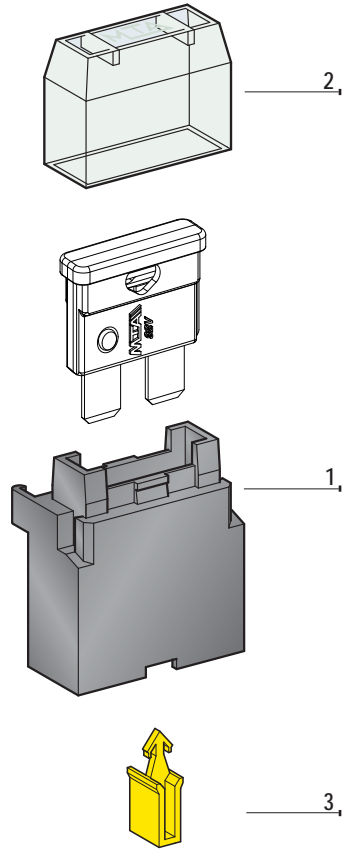


IMG	DESCRIPTION	WAY	MATERIAL	COLOUR	P/N BOX	M.O.Q.	P/N BULK	M.O.Q.		
1	HOLDER	1	PA66	■ Black	0100400	125	0300400	500		
	HOLDER	1	PA66	■ Beige					0300401	500
	HOLDER	1	PA66	■ Brown					0300402	500
	HOLDER	1	PA66	■ Red					0300403	500
	HOLDER	1	PA66	■ Blue					0300404	500
	HOLDER	1	PA66	■ Yellow					0300405	500
	HOLDER	1	PA66	□ White					0300406	500
	HOLDER	1	PA66	■ Green					0300407	500
2	COVER		PA66 GF30	■ Black	0100415	25	0300415	1000		

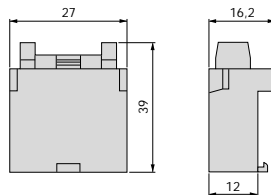
## CONNECTIONS AND FIXINGS



# UNIVAL<sup>®</sup> HOLDER



IMG	DESCRIPTION	WAY	MATERIAL	COLOUR	P/N BOX	M.O.Q.	P/N BULK	M.O.Q.
1	HOLDER WITH TERMINALS	1	PA66	■ Black	0100351	250	0300351	1250
	HOLDER WITHOUT TERMINALS	1	PA66	■ Black			0300354	1000
	HOLDER WITH TERMINALS AND CABLES	1	PA66	■ Black	0100350	25		
2	COVER		PC	■ Transparent	0100359	250	0300359	500
3	SECONDARY LOCK		PA66	■ Yellow			0300357	250
	KIT WITH COVER, TERMINALS FIXING PLATE AND EXTRACTOR				0100353	10		



## CONNECTIONS AND FIXINGS



03.00352



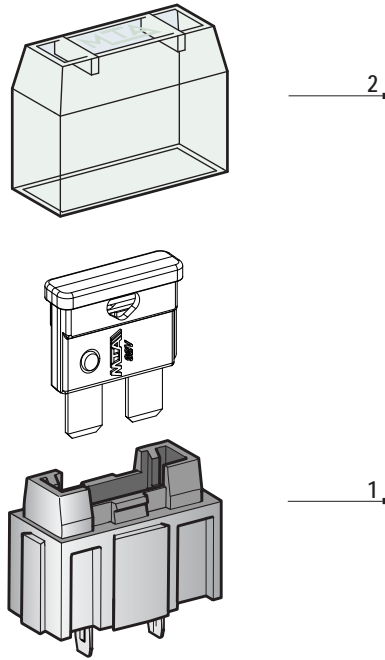
UNI F630



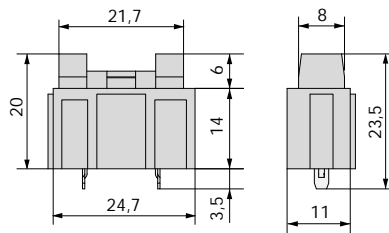
UNI F630



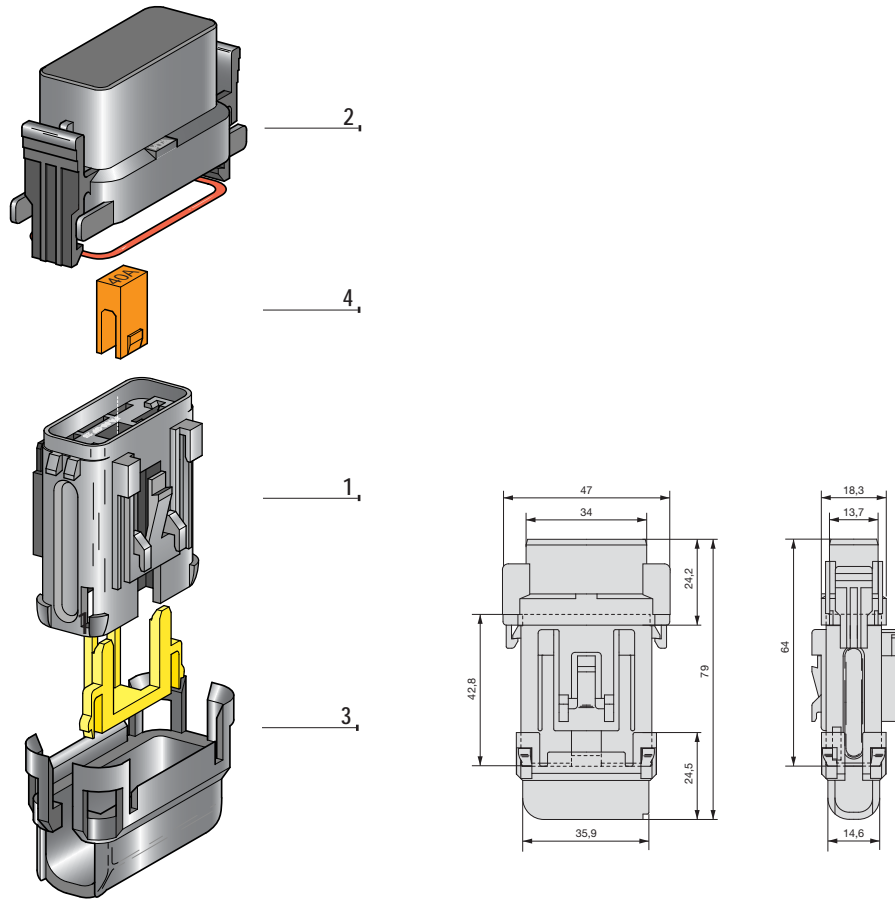
# UNIVAL<sup>®</sup> PCB HOLDER



IMG	DESCRIPTION	WAY	MATERIAL	COLOUR	P/N BOX	M.O.Q.	P/N BULK	M.O.Q.
1	HOLDER	1	PA66 GF30	■ Black	0100420	5	0300420	1000
2	COVER	1	PC	□ Natural	0100359	250	0300359	500



# SPLASH PROOF MAXIVAL® HOLDER

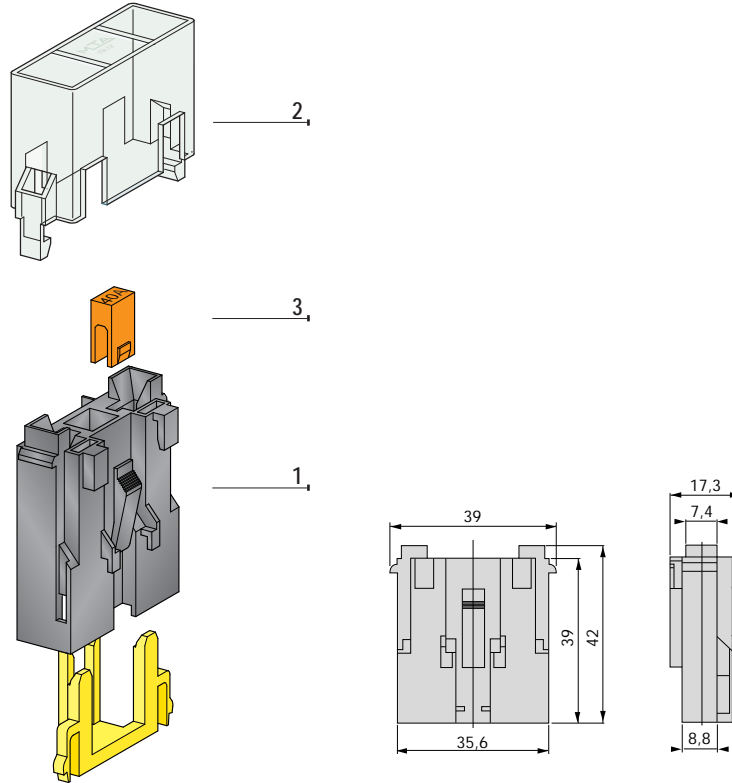


IMG	DESCRIPTION	WAY	MATERIAL	COLOUR	P/N BULK	M.O.Q.	P/N BULK	M.O.Q.
1	HOLDER + SECONDARYLOCK	1	PA66 GF25 PA66 GF30	■ Black ■ Yellow	0321000	250	0301000	1000
2	COVER WITH GASKET		PA66	■ Black	0321210	250	0301210	1500
3	BOTTOM COVER		PA66	■ Black	0321200	250	0301200	1500
4	IDENTIFICATION INSERT 30 AMP		PBT GF20	■ Green			0301030	1500
	IDENTIFICATION INSERT 40 AMP		PBT GF20	■ Orange			0301040	1500
	IDENTIFICATION INSERT 50 AMP		PBT GF20	■ Red			0301050	1500
	IDENTIFICATION INSERT 60 AMP		PBT GF20	■ Blue			0301060	1500
	IDENTIFICATION INSERT 70 AMP		PBT GF20	■ Beige			0301070	1500
	IDENTIFICATION INSERT 80 AMP		PBT GF20	□ Natural			0301080	1500
	KIT WITH TERMINALS				0101005 box	10		

## CONNECTIONS AND FIXINGS

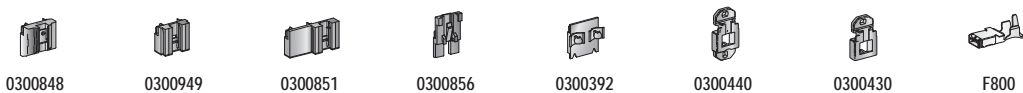


# MAXIVAL® HOLDER

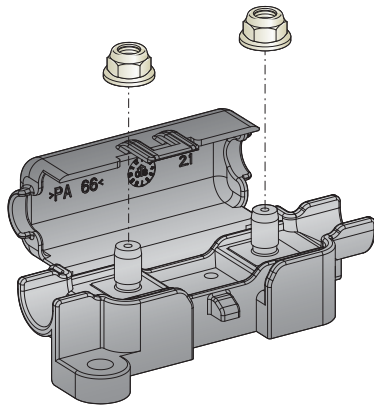


IMG	DESCRIPTION	WAY	MATERIAL	COLOUR	P/N BOX	M.O.Q.	P/N BULK	M.O.Q.
1	HOLDER + SECONDARYLOCK	1	PA66 GF25 PA66 GF30	■Black ■Yellow	0100390	50	0300390	1500
2	COVER		PC	□Natural	0100391	10	0300391	1000
3	IDENTIFICATION INSERT 30 AMP		PBT GF20	■Green			0301030	1500
	IDENTIFICATION INSERT 40 AMP		PBT GF20	■Orange			0301040	1500
	IDENTIFICATION INSERT 50 AMP		PBT GF20	■Red			0301050	1500
	IDENTIFICATION INSERT 60 AMP		PBT GF20	■Blue			0301060	1500
	IDENTIFICATION INSERT 70 AMP		PBT GF20	■Beige			0301070	1500
	IDENTIFICATION INSERT 80 AMP		PBT GF20	□Natural			0301080	1500
	KIT WITH TERMINALS				3001001	25		

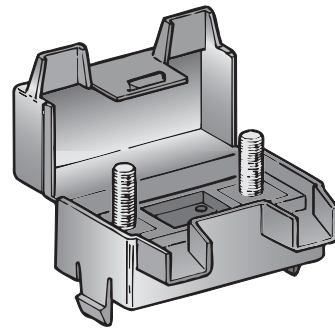
## CONNECTIONS AND FIXINGS



# MIDIVAL® HOLDER

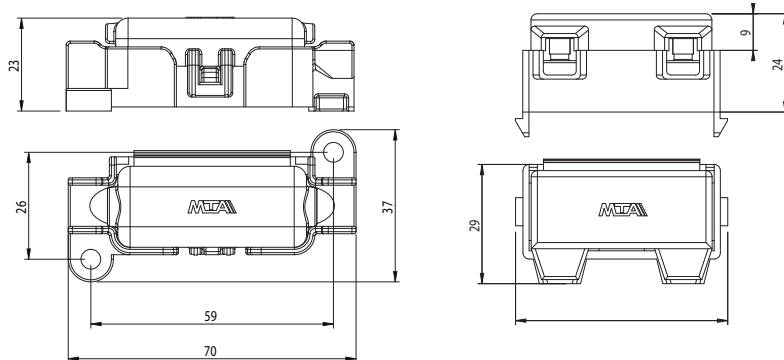


1



2

IMG	DESCRIPTION	WAY	MATERIAL	COLOUR	P/N BOX	M.O.Q.	P/N BULK	M.O.Q.
1	MIDIVAL HOLDER BOLT TYPE	1	PA66	■Black	0100360	75	0300360	200
2	MIDIVAL HOLDER CLIP TYPE	1	PA66	■Black	0100370	5	0300370	200

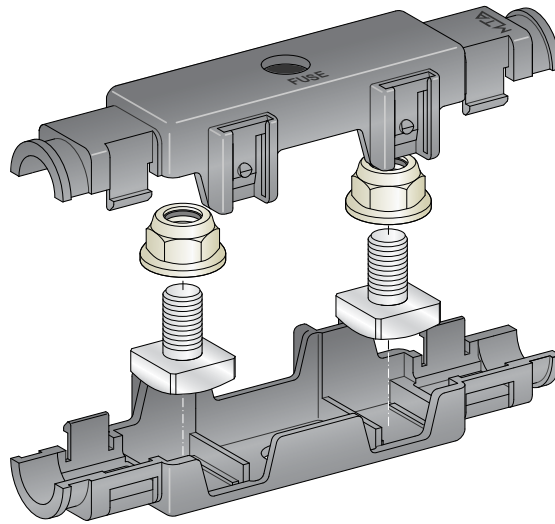


CONNECTIONS AND FIXINGS



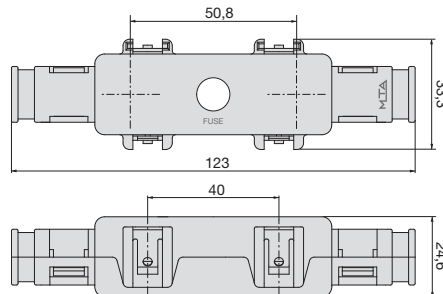
MIDI

# MEGAVAL® HOLDER



1

IMG	DESCRIPTION	WAY	MATERIAL	COLOUR		P/N	M.O.Q.
1	MEGAVAL HOLDER	1	PA66 GF30	■ Black		0300380	50
	KIT WITH TERMINALS					0100380	10



## CONNECTIONS AND FIXINGS



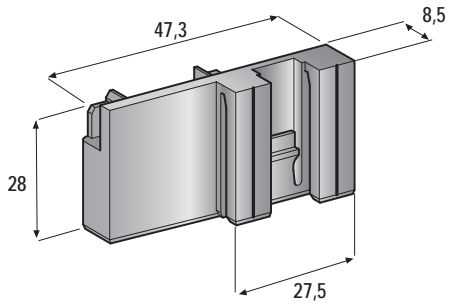
0300395  
0300398



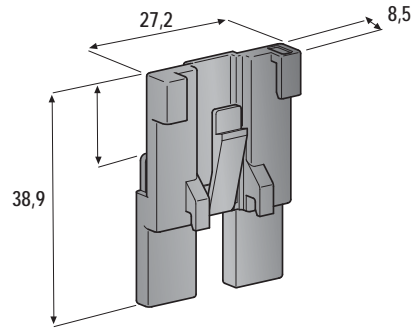
MEGA L34



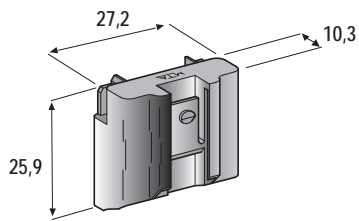
# ADAPTERS



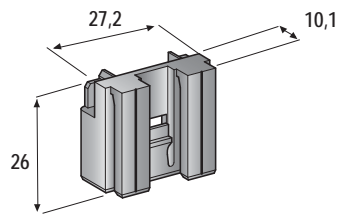
1



2



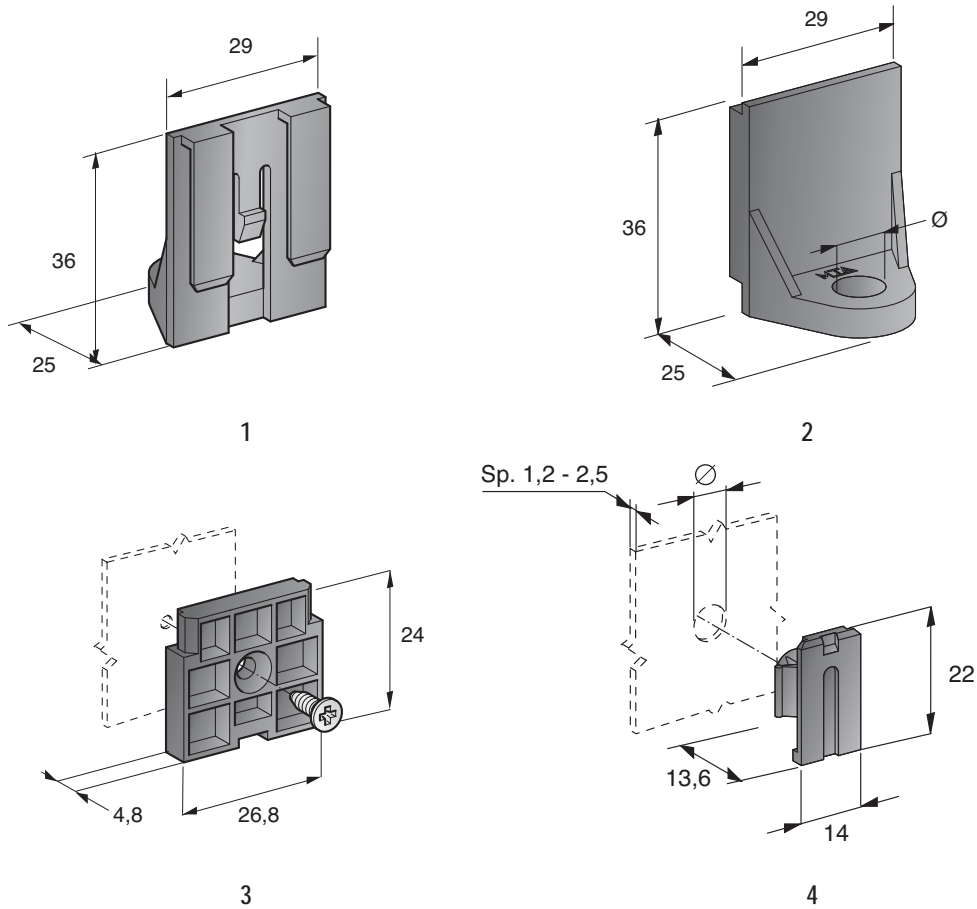
3



4

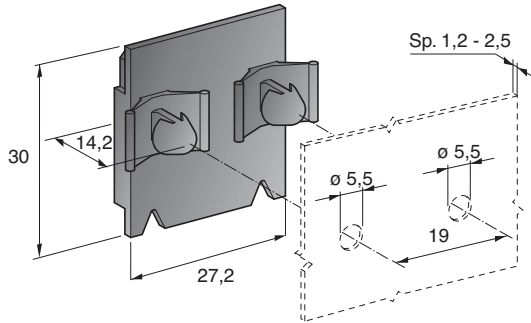
IMG	DESCRIPTION	MATERIAL	COLOUR		P/N BULK	M.O.Q.
1	ADAPTER	PA66 GF25	■Black		0300851	1000
2	ADAPTER	PA66 GF25	■Black		0300856	1500
3	ADAPTER	PA66 GF25	■Black		0300848	400
4	ADAPTER	PA66 GF25	■Black		0300949	1500

# FIXING PLATES

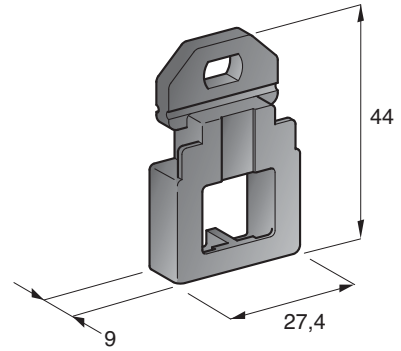


IMG	DESCRIPTION	∅ mm	MATERIAL	COLOUR	P/N BOX	M.O.Q.	P/N BULK	M.O.Q.
1	MOUNTING BRACKET MALE	8,5	PA66	■Black			0300690	100
2	MOUNTING BRACKET FEMALE	8,5	PA66	■Black			0300691	100
3	FIXING PLATE WITH 1 SCREW	3,6	PP GF30	■Black	0100352	250	0300352	1000
4	FIXING PLATE BY PRESSURE	6,5	PA66	■Black			0300395	1000
	FIXING PLATE BY PRESSURE	8,0	PA66	■Black			0300398	1000

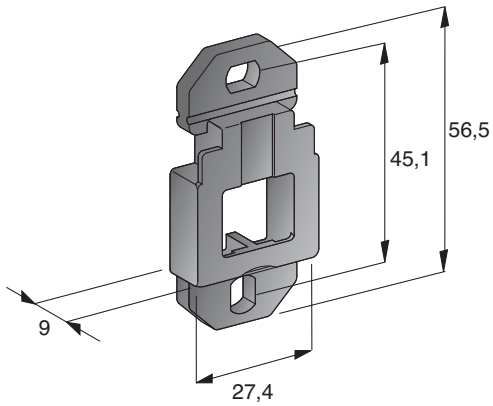
# FIXING PLATES



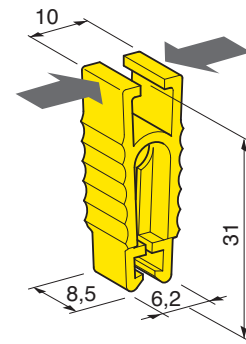
1



2



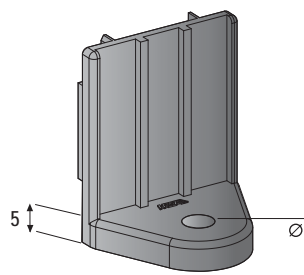
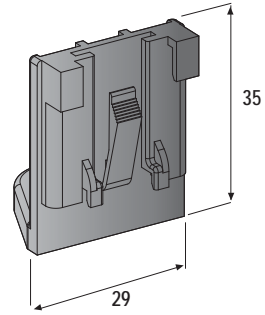
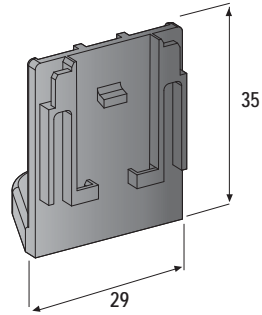
3



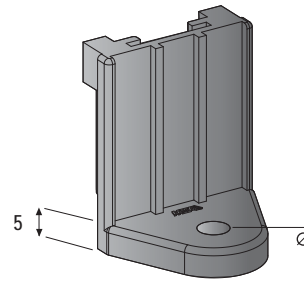
4

IMG	DESCRIPTION	SCREW ∅ mm	MATERIAL	COLOUR	P/N BOX	M.O.Q.	P/N BULK	M.O.Q.
1	FIXING PLATE	5,5	PA66	■ Black	0100392	100	0300392	1000
2	FIXING PLATE	M 5	PA66	■ Black	0100440	100	0300440	250
3	FIXING PLATE	M 5	PA66	■ Black	0100430	100	0300430	1000
4	EXTRACTOR FOR BLADE FUSE		PP	■ Yellow	0100358	250	0300358	3000

# FIXING PLATES



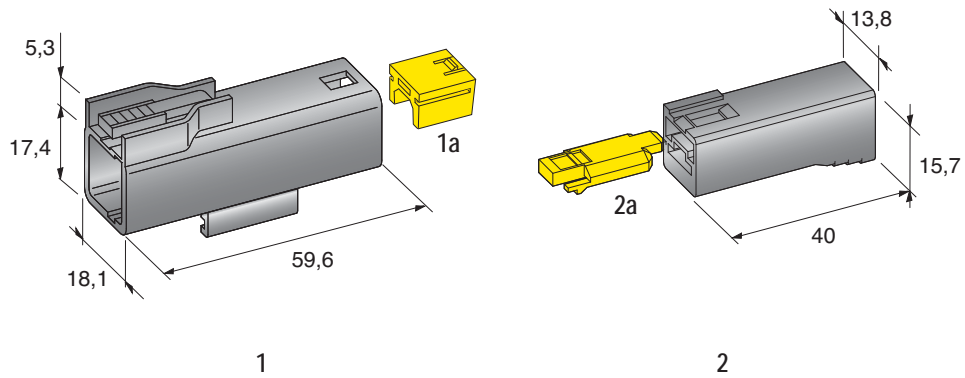
1



2

IMG	DESCRIPTION	∅ mm	MATERIAL	COLOUR		P/N BULK	M.O.Q.
1	MOUNTING BRACKET MALE	5,5	PA66	■Black		0300697	100
2	MOUNTING BRACKET FEMALE	5,5	PA66	■Black		0300698	100

# 1-WAY POWER



IMG	DESCRIPTION	WAY	MATERIAL	COLOUR	P/N BOX WITH S. LOCK	M.O.Q.	P/N BULK	M.O.Q.
1	MALE HOLDER	1	PA66 GF25	Black	4440200	20	4540205	1200
2	FEMALE HOLDER	1	PA66 GF25	Black	4440100	20	4540105	2400
	FEMALE HOLDER POLARIZED	1	PA66 GF30	Blue			4540145	2400
	FEMALE HOLDER POLARIZED	1	PA66 GF30	Grey			4540135	2400
1a	SECONDARY LOCK	1	PA66	Yellow			4545200	2400
2a	SECONDARY LOCK	1	PA66	Yellow			4545100	4800

## CONNECTIONS AND FIXINGS



M800



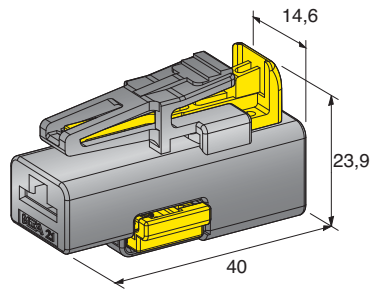
F800



0300395  
0300398

IMG	1	2	1
-----	---	---	---

# 1-WAY POWER



1

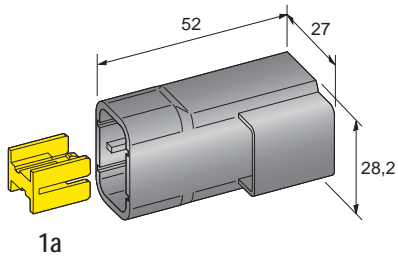
IMG	DESCRIPTION	WAY	MATERIAL	COLOUR	P/N BULK	M.O.Q.
1	FEMALE HOLDER WITH SECONDARY LOCK AND CPA	1	PA66 GF30	■ Black	4540150	700

## CONNECTIONS AND FIXINGS

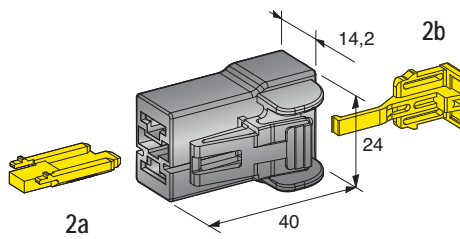


F800

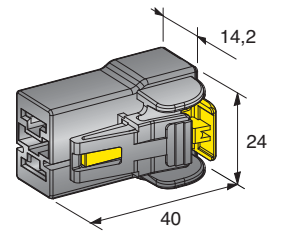
# 2-WAY POWER



1



2



3

IMG	DESCRIPTION	WAY	MATERIAL	COLOUR	P/N BOX WITH S. LOCK	M.O.Q.	P/N BULK	M.O.Q.
1	MALE HOLDER	2	PA66 GF30	■ Black	4440400	10	4540405	1200
2	FEMALE HOLDER	2	PA66 GF30	■ Black	4440300	10	4540305	1200
3	FEMALE HOLDER WITH CPA	2	PA66 GF30	■ Black			4540302	1200
1a	SECONDARY LOCK		PA66 GF30	■ Yellow			4545400	1200
2a	SECONDARY LOCK		PA66	■ Yellow			4545100	4800
2b	CPA		PA66 GF30	■ Yellow			4545300	2400

## CONNECTIONS AND FIXINGS



M800



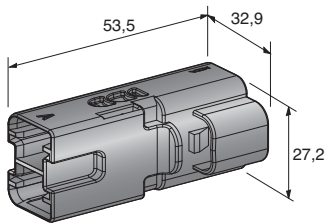
F800



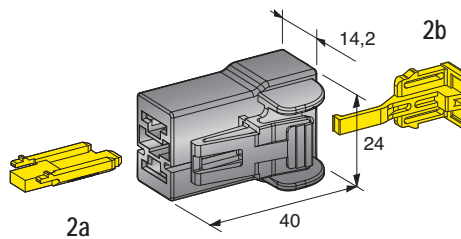
0300395  
0300398

IMG	1	2+3	1
-----	---	-----	---

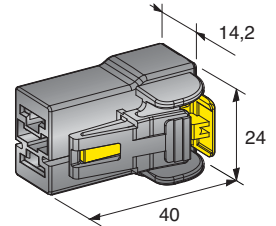
# 2-WAY POWER



1



2



3

IMG	DESCRIPTION	WAY	MATERIAL	COLOUR	P/N BOX WITH S. LOCK	M.O.Q.	P/N BULK	M.O.Q.
1	MALE HOLDER POLARIZED	2	PA66 GF30	Blue			4540410	1200
	MALE HOLDER POLARIZED	2	PA66 GF30	Grey			4540420	1200
	MALE HOLDER POLARIZED	2	PA66 GF30	Green			4540430	1000
2	FEMALE HOLDER POLARIZED	2	PA66 GF30	Blue	4440310	10	4540315	1200
	FEMALE HOLDER POLARIZED	2	PA66 GF30	Grey	4440340	10	4540345	1200
	FEMALE HOLDER POLARIZED	2	PA66 GF30	Green			4540325	1200
	FEMALE HOLDER POLARIZED	2	PA66 GF30	Brown			4540335	1200
3	FEMALE HOLDER POLARIZED WITH CPA	2	PA66 GF30	Blue			4540312	1200
2a	SECONDARY LOCK	-	PA66	Yellow			4545100	4800
2b	CPA	-	PA66 GF30	Yellow			4545300	2400

CONNECTIONS AND FIXINGS



M800



F800

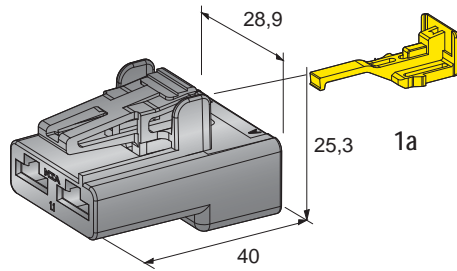


0300395  
0300398

IMG	1	2+3	1
-----	---	-----	---



# 2-WAY POWER



1

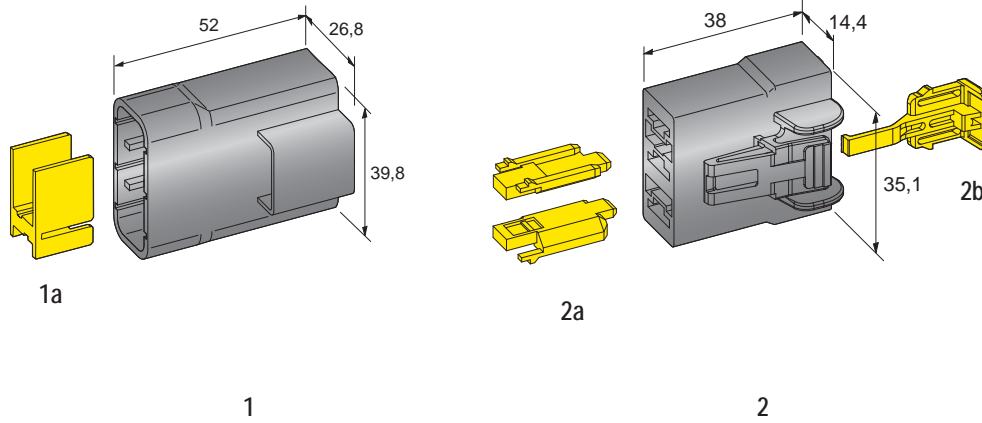
IMG	DESCRIPTION	WAY	MATERIAL	COLOUR		P/N BULK	M.O.Q.
1	FEMALE HOLDER POLARIZED	2	PA66 GF13	Blue		4540500	600
	FEMALE HOLDER POLARIZED	2	PA66 GF13	Green		4540501	600
1a	CPA		PA66 GF30	Yellow		4545300	2400

## CONNECTIONS AND FIXINGS



F800

# 3-WAY POWER



IMG	DESCRIPTION	WAY	MATERIAL	COLOUR	P/N BOX WITH S. LOCK	M.O.Q.	P/N BULK	M.O.Q.
1	MALE HOLDER	3	PA66 GF25	■ Black	4440800	10	4540805	1200
	MALE HOLDER POLARIZED	3	PA66 GF25	■ Blue			4540815	700
2	FEMALE HOLDER	3	PA66 GF30	■ Black	4440700	10	4540705	1200
	FEMALE HOLDER POLARIZED	3	PA66 GF30	■ Blue			4540715	1200
	FEMALE HOLDER POLARIZED	3	PA66 GF30	■ Grey			4540735	1200
1a	SECONDARY LOCK		PA66 GF30	■ Yellow			4545800	1200
2a	SECONDARY LOCK		PA66	■ Yellow			4545100	4800
2b	CPA		PA66 GF30	■ Yellow			4545300	2400

CONNECTIONS AND FIXINGS



M800



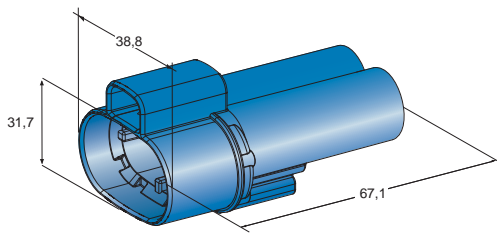
F800



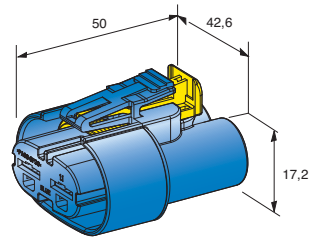
0300395  
0300398

IMG	1	2	1
-----	---	---	---

# 2-WAY POWER WATER PROOF



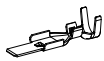
1



2

IMG	DESCRIPTION	WAY	MATERIAL	COLOUR		P/N BULK	M.O.Q.
1	MALE HOLDER	2	PA66 GF30	Blue		4540210	600
	MALE HOLDER	2	PA66 GF30	Green		4540211	700
2	FEMALE HOLDER WITH GASKET	2	PA66 GF30	Blue		4540110	600
	FEMALE HOLDER WITH GASKET	2	PA66 GF30	Green		4540111	600

CONNECTIONS AND FIXINGS



WP M 800



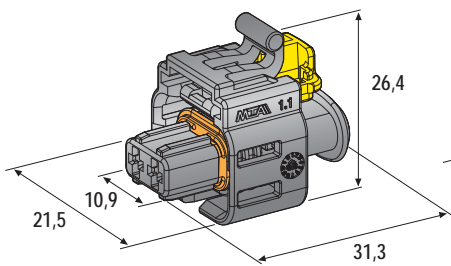
WP M F800



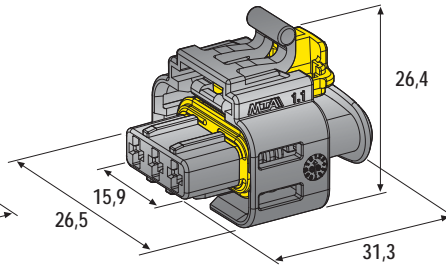
0300395  
0300398

IMG	1	2	1
-----	---	---	---

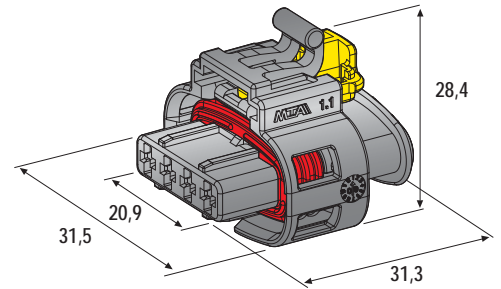
# HP6 2, 3 & 4-WAY



1



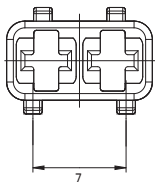
2



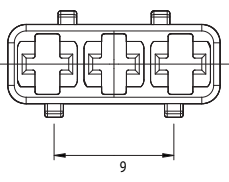
3

IMG	DESCRIPTION	WAY	MATERIAL	COLOUR		P/N BULK	M.O.Q.
1	FEMALE HOLDER	2	PA66 GF30	■ Black		4510840	2500
2	FEMALE HOLDER CODE I	3	PA66 GF30	■ Black		4510881	2500
	FEMALE HOLDER CODE II	3	PA66 GF30	■ Black		4510880	2500
3	FEMALE HOLDER CODE I	4	PA66 GF30	■ Black		4510891	TBD
	FEMALE HOLDER CODE II	4	PA66 GF30	■ Black		4510890	TBD

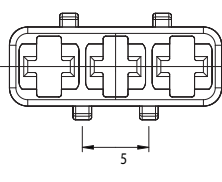
1



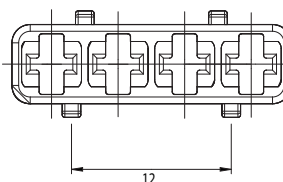
2 CODE I



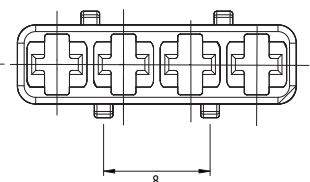
2 CODE II



3 CODE I



3 CODE II



CONNECTIONS AND FIXINGS

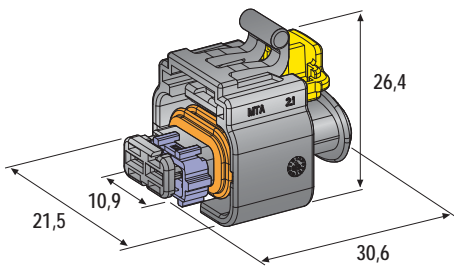


HP6 280

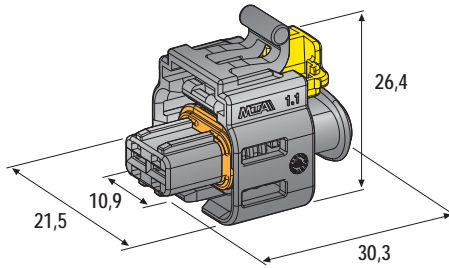
IMG

1+2+3

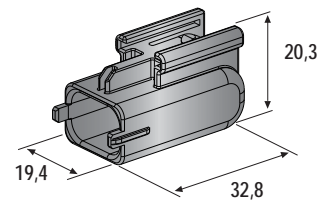
# C 280 2-WAY



1

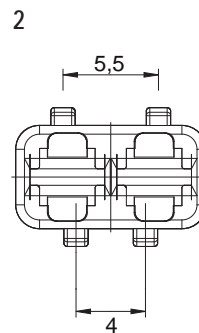
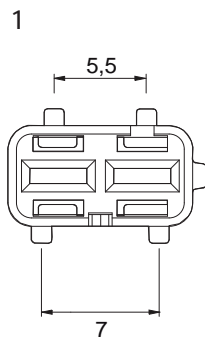


2

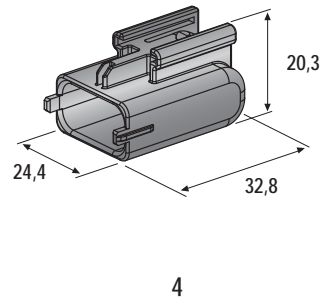
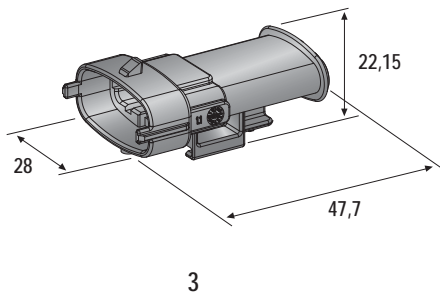
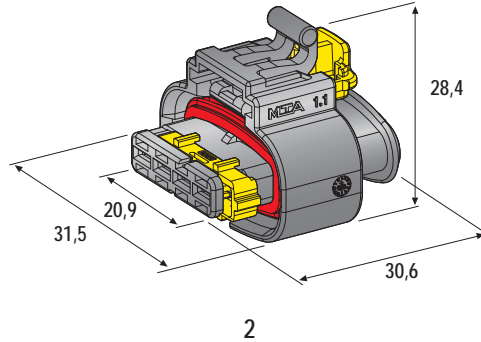
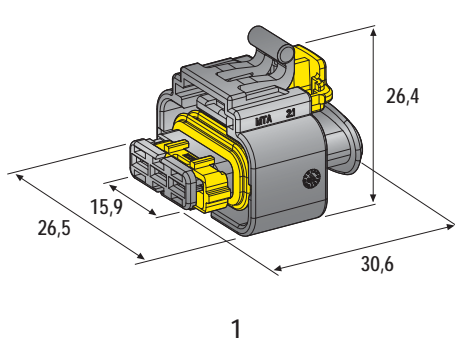


3

IMG	DESCRIPTION	WAY	MATERIAL	COLOUR	S. LOCK COLOUR	P/N BOX	M.O.Q.	P/N BULK	M.O.Q.
1	F. HOLDER FOR BDK & BSK TERMINALS	2	PA66 GF30	■Black	■Violet	4410801	250	4510801	2500
2	F. HOLDER FOR JPT TERMINALS	2	PA66 GF30	■Black		4410830	250	4510830	2500
3	CAP FOR CONNECTORS 4510801/830	2	PA66 GF30	■Black				4510802	3000

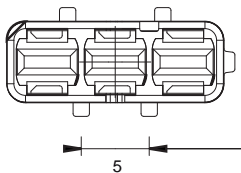


# C 280 3&4-WAY

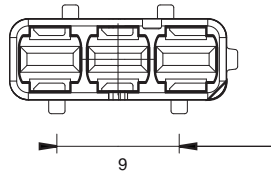


IMG	DESCRIPTION	WAY	MATERIAL	COLOUR	S. LOCK COLOUR	P/N BOX	M.O.Q.	P/N BULK	M.O.Q.
1	F. HOLDER FOR BDK & BSK TERMINALS	3	PA66 GF30	■ Black	■ Yellow	4410810	250	4510810	2500
	F. HOLDER FOR BDK & BSK TERMINALS	3	PA66 GF30	■ Black	■ Violet	4410811	250	4510811	2500
2	F. HOLDER FOR BDK & BSK TERMINALS	4	PA66 GF30	■ Black	■ Yellow	4410820	250	4510820	2500
	F. HOLDER FOR BDK & BSK TERMINALS	4	PA66 GF30	■ Black	■ Violet	4410821	250	4510821	2500
3	MALE HOLDER FOR 4510821	4	PA66 GF30	■ Black		4410921	250	4510921	2000
4	CAP FOR CONNECTORS 4510810/811	3	PA66 GF30	■ Black				4510812	2800

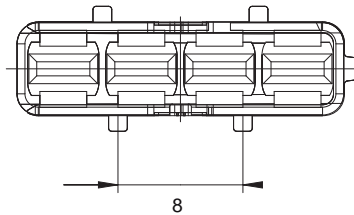
1 YELLOW



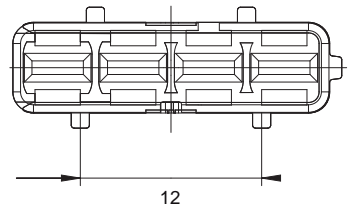
1 VIOLET



2 YELLOW



2 VIOLET



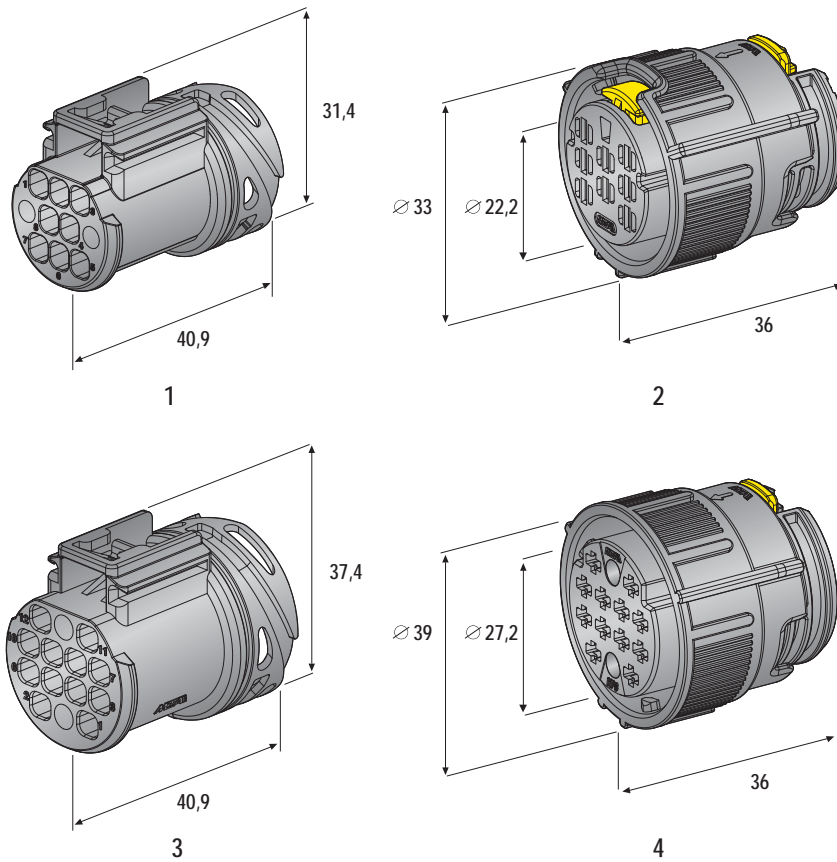
CONNECTIONS AND FIXINGS



0300489

IMG	3
-----	---

# RC 280 8 & 12-WAY



IMG	DESCRIPTION	WAY	MATERIAL	COLOUR	P/N	M.O.Q.	P/N	M.O.Q.
1	MALE HOLDER FOR TABS 2,8 x 0,8	8	PA66 GF30	■Black	4410970	250	4510970	500
2	FEMALE HOLDER FOR BDK & BSK TERMINALS	8	PA66 GF30	■Black	4410870	250	4510870	120
3	MALE HOLDER FOR TABS 2,8 x 0,8	12	PA66 GF30	■Black			4510975	350
4	FEMALE HOLDER FOR HP6 TERMINALS	12	PA66 GF30	■Black			4510875	350

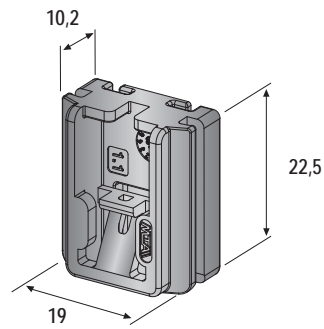
## CONNECTIONS AND FIXINGS



HP6 280

IMG	4
-----	---

# ADAPTER

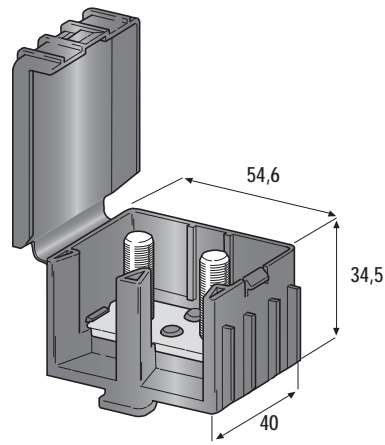


1

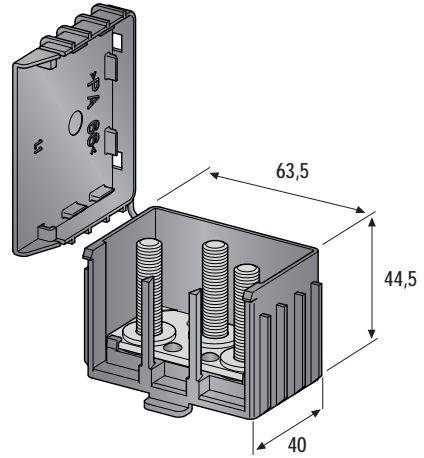
IMG	DESCRIPTION	MATERIAL	COLOUR		P/N BULK	M.O.Q.
1	ADAPTER FOR 4510921	PA66 GF30	■ Black		0300489	2500



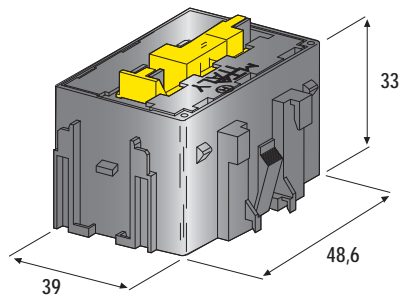
# JOINT



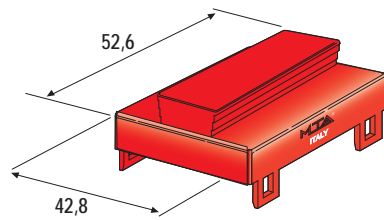
1



2



3



4

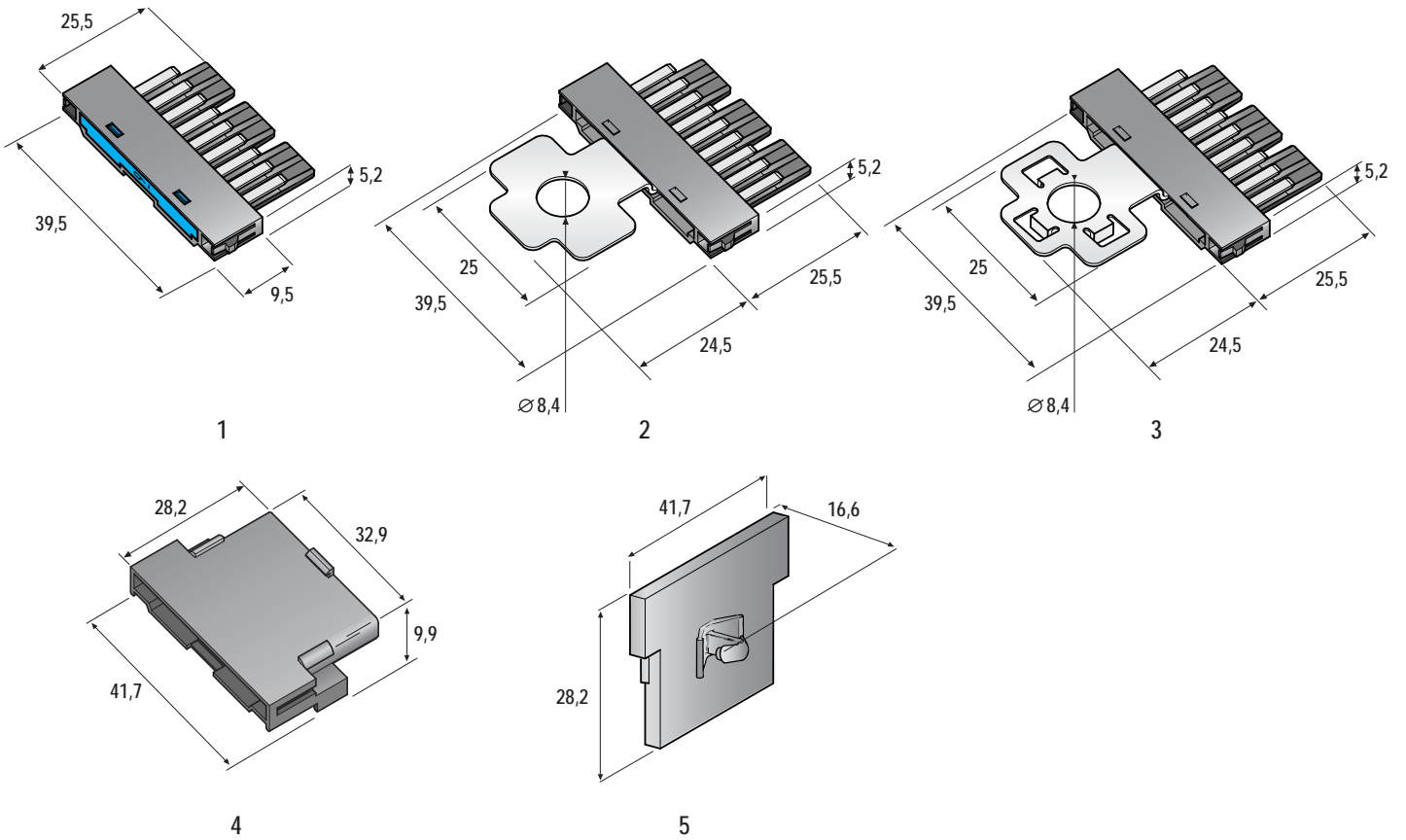
IMG	DESCRIPTION	WAY	MATERIAL	COLOUR	P/N BOX	M.O.Q.	P/N BULK	M.O.Q.
1	BRANCH KNOT M 88	2	PA66	■ Black	4441100	1	4541100	100
2	BRANCH KNOT M 888	3	PA66	■ Black	4441200	1	4541200	130
3	HOUSING WITH TERMINALS	6	PA66 GF25	■ Black			4540601	400
4	COVER FOR HOUSING 6 WAY		PA66	■ Red			4540602	200
	KIT HOUSING 6 WAY+ COVER				4440600	1		

CONNECTIONS AND FIXINGS



IMG	3	3	3	3
-----	---	---	---	---

# JOINT 9-WAY



IMG	DESCRIPTION	WAY	MATERIAL	COLOUR	COVER COLOUR	P/N BOX	M.O.Q.	P/N BULK	M.O.Q.		
1	MALE HOLDER	9	PA66 GF13	Black	Blue	4410610	10	4551610	2500		
	MALE HOLDER	6+3	PA66 GF13	Black	Yellow	4410611	10	4551611	2500		
	MALE HOLDER	5+4	PA66 GF13	Black	Red			4551612	2500		
	MALE HOLDER	3+3+3	PA66 GF13	Black	Green			4551613	2500		
2	EARTH MALE HOLDER	9	PA66 GF13	Black		4410614	10	4551614	2000		
3	EARTH MALE HOLDER TCK 12S	9	PA66 GF13	Black				4551615	2000		
4	FEMALE HOLDER	9	PBT	Black		4410605	10	4551605	2500		
	FEMALE HOLDER	9	PBT	Blue						4551606	2500
	FEMALE HOLDER	9	PBT	Green						4551607	2500
5	FIXING PLATE		PA66	Black				0300397	1000		

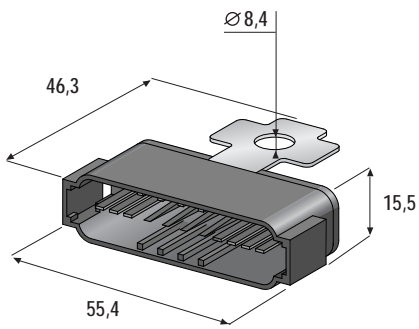
## CONNECTIONS AND FIXINGS



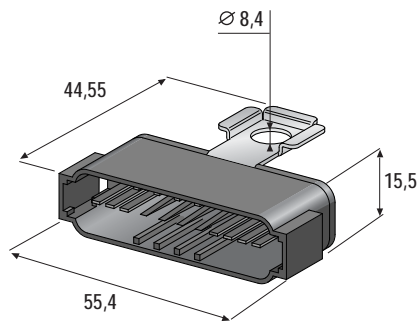
070 SERIES

IMG 4

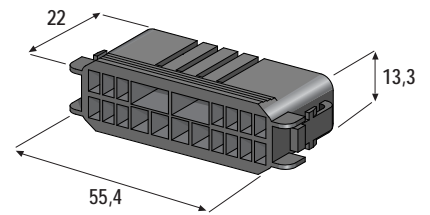
# JOINT 18-WAY



1



2



3

IMG	DESCRIPTION	WAY	MATERIAL	COLOUR	P/N BOX	M.O.Q.	P/N BULK	M.O.Q.
1	EARTH MALE HOLDER	18	PA66 GF30	■Black	4410125	1	4510125	1000
2	EARTH MALE HOLDER TCK 12S	18	PA66 GF30	■Black			4510135	1000
3	FEMALE HOLDER	18	PA66 GF30	■Black	4410120	1	4510120	1500

CONNECTIONS AND FIXINGS



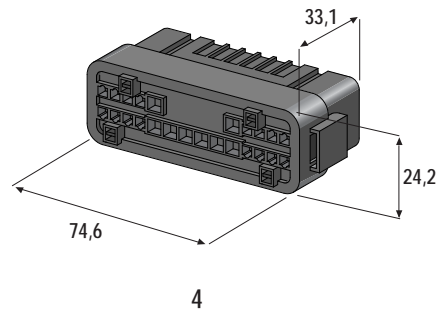
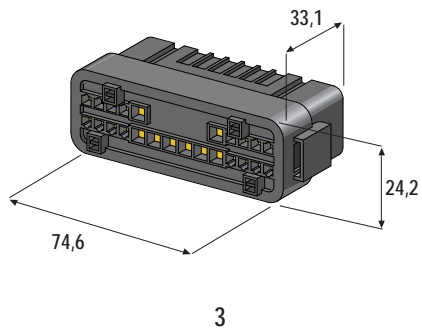
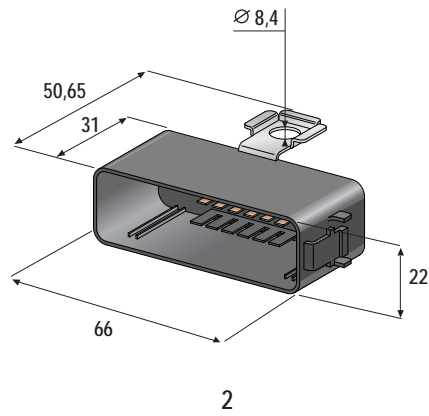
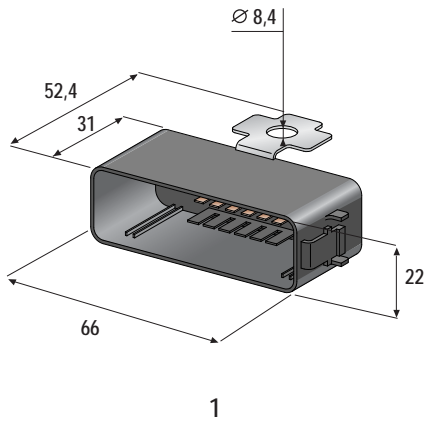
JPT



070 NG SERIES

IMG	3	3
-----	---	---

# JOINT 24-WAY



IMG	DESCRIPTION	WAY	MATERIAL	COLOUR		P/N	M.O.Q.
1	EARTH MALE HOLDER W.P.	24	PA66 GF30	■ Black		4510115	600
2	EARTH MALE HOLDER TCK 12S	24	PA66 GF30	■ Black		4510130	600
3	FEMALE HOLDER W.P.	24	PA66 GF30	■ Black		4510110	600
4	FEMALE HOLDER	24	PA66 GF30	■ Black		4510145	600

CONNECTIONS AND FIXINGS



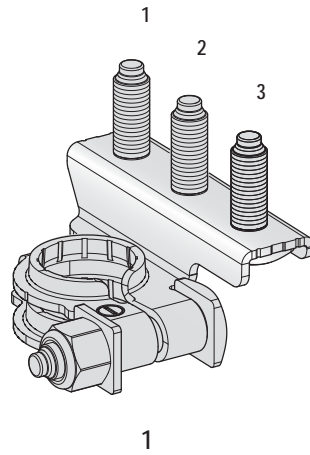
SICMA



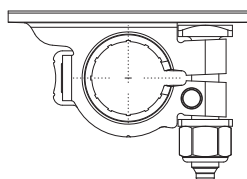
CARALARM

IMG	3+4	3+4
-----	-----	-----

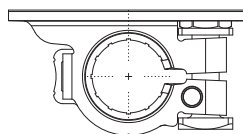
# DOUBLE RING



IMG	DESCRIPTION	POLARITY	SCREW			MATERIAL	MATERIAL THICKNESS mm	P/N BOX	M.O.Q.	P/N BULK	M.O.Q.
			1	2	3						
1	M686DX	+	M6	M8	M6	CuZn-Sn	1,5	1507701	10	1507700	250
	M686DX	-	M6	M8	M6	CuZn-Sn	1,5	1507704	10	1507705	250
	M686SX	+	M6	M8	M6	CuZn-Sn	1,5			1507720	250
	M686SX	-	M6	M8	M6	CuZn-Sn	1,5			1507725	250
	M666DX	+	M6	M6	M6	CuZn-Sn	1,5			1507703	250
	M666DX	-	M6	M6	M6	CuZn-Sn	1,5			1507707	220
	M668DX	+	M6	M6	M8	CuZn-Sn	1,5			1507710	250
	M666SX	-	M6	M6	M6	CuZn-Sn	1,5			1507736	250
	M080SX	+	/	M8	/	CuZn-Sn	1,5			1507760	250
	M606SX	+	M6	/	M6	CuZn-Sn	1,5			1507771	250
	M680DX	-	M6	M8	/	CuZn-Sn	1,5			1507785	250
	M868DX	+	M8	M6	M8	CuZn-Sn	1,5			1507790	250
	M806DX	+	M8	/	M6	CuZn-Sn	1,5			1507795	250

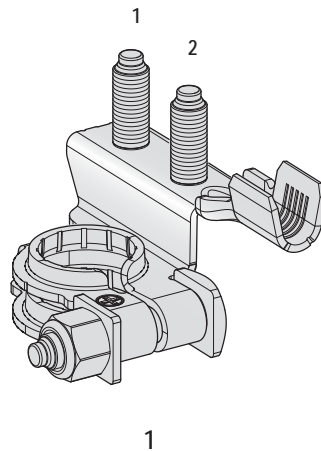


DX

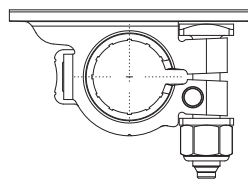


SX

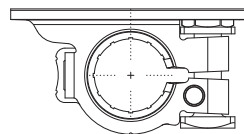
# DOUBLE RING



IMG	DESCRIPTION	POLARITY	SCREW		WIRE SECTION mm <sup>2</sup>	MATERIAL	MATERIAL THICKNESS mm	P/N BOX	M.O.Q.	P/N BULK	M.O.Q.
			1	2							
1	M66DX	+	M6	M6	10÷20	CuZn-Sn	1,3			1507800	250
	M06SX	+	/	M6	10÷20	CuZn-Sn	1,3			1507810	250
	M66DX	+	M6	M6	25÷40	CuZn-Sn	1,3	1507821	10	1507820	250
	M66DX	-	M6	M6	25÷40	CuZn-Sn	1,3			1507875	250
	M06SX	+	/	M6	25÷40	CuZn-Sn	1,3			1507830	250
	M66SX	-	M6	M6	25÷40	CuZn-Sn	1,3			1507885	250

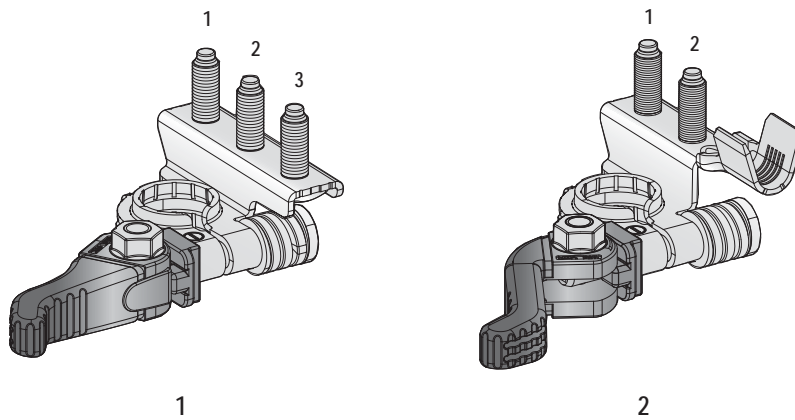


DX



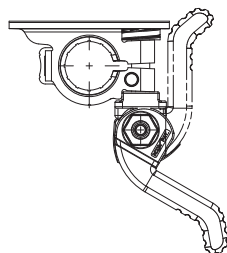
SX

# QUICK LOCK

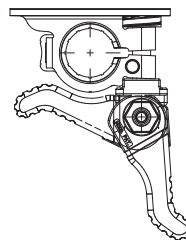


IMG	DESCRIPTION	POLARITY	SCREW			MATERIAL	MATERIAL THICKNESS mm	P/N BOX	M.O.Q.	P/N BULK	M.O.Q.
			1	2	3						
1	M666SX	-	M6	M6	M6	CuZn-Sn	1,5	1507904	1	1507905	200
	M666SX	+	M6	M6	M6	CuZn-Sn	1,5			1507975	200
	M666DX	-	M6	M6	M6	CuZn-Sn	1,5			1507916	1

IMG	DESCRIPTION	POLARITY	SCREW		WIRE SECTION mm <sup>2</sup>	MATERIAL	MATERIAL THICKNESS mm	P/N BOX	M.O.Q.	P/N BULK	M.O.Q.
			1	2							
2	M66DX	-	M6	M6	10÷20	CuZn-Sn	1,3	1507926	1	1507925	200
	M66DX	-	M6	M6	25÷40	CuZn-Sn	1,3				

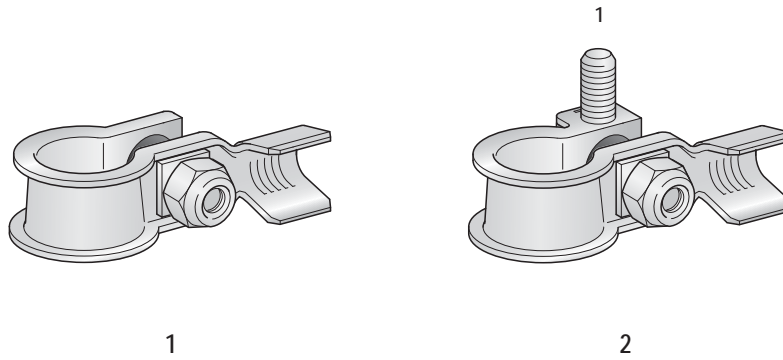


DX

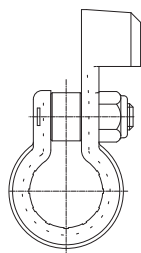


SX

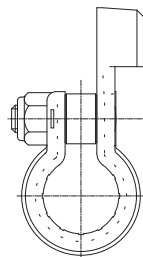
# STRIP TYPE



IMG	DESCRIPTION	POLARITY	SCREW (1)	WIRE SECTION mm <sup>2</sup>	MATERIAL	MATERIAL THICKNESS mm	P/N BOX	M.O.Q.	P/N BULK	M.O.Q.
1	STRIP DX	-		10÷20	CuZn-Sn	1,2	1506656	10	1506655	400
	STRIP DX	-		25÷40	CuZn-Sn	1,2	1506666	10	1506665	400
	STRIP SX	-		10÷20	CuZn-Sn	1,2			1506658	400
	STRIP SX	-		25÷40	CuZn-Sn	1,2			1506668	400
	STRIP DX	+		10÷20	CuZn-Sn	1,2	1506721	10	1506720	400
	STRIP DX	+		25÷40	CuZn-Sn	1,2	1506731	10	1506730	400
2	STRIP DX	-	M6	10÷20	CuZn-Sn	1,2			1506650	400
	STRIP DX	-	M6	25÷40	CuZn-Sn	1,2			1506660	400



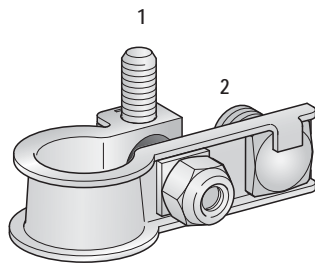
DX



SX

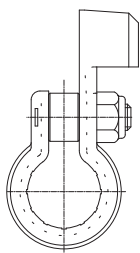


# STRIP TYPE

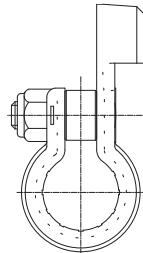


1

IMG	DESCRIPTION	POLARITY	SCREW		MATERIAL	MATERIAL THICKNESS mm	P/N BOX	M.O.Q.	P/N BULK	M.O.Q.
			1	2						
1	STRIP DX	-		M8	CuZn-Sn	1,2			1506675	400
	STRIP SX	-		M8	CuZn-Sn	1,2			1506678	400
	STRIP DX	-	M6	M8	CuZn-Sn	1,2	1506671	10	1506670	400

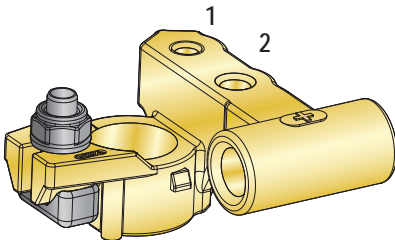


DX



SX

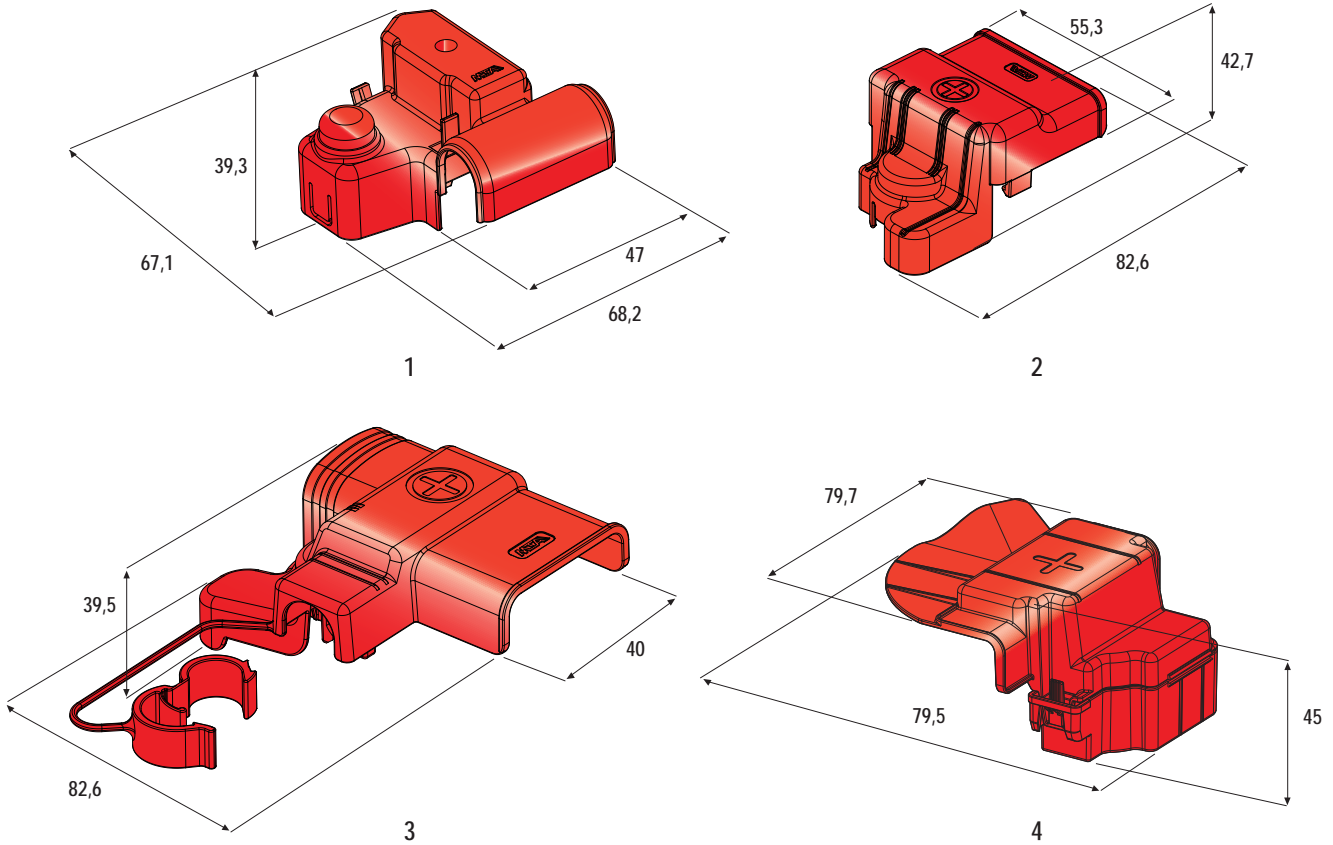
# DIE CAST



1

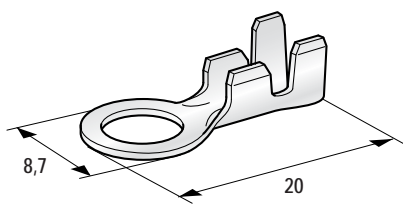
IMG	DESCRIPTION	POLARITY	SCREW		MATERIAL	P/N	M.O.Q.
			1	2			
1	DIE CAST	+	M6	M8	BRASS SN	1506765	70

# PROTECTION COVERS

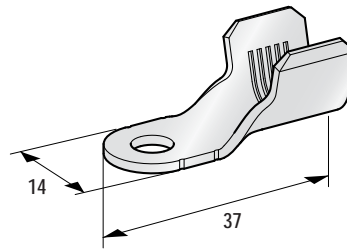


IMG	DESCRIPTION	POLARITY	MATERIAL	COLOUR	P/N	M.O.Q.
1	COVER FOR 1506765	+	PP	■ Red	4510499	500
2	COVER FOR 15077XX	+	PP	■ Red	4510503	100
3	COVER FOR 15078XX	+	PP	■ Red	4510502	100
4	COVER FOR 15077XX	+	PP	■ Red	4510504	500

# STANDARD RING



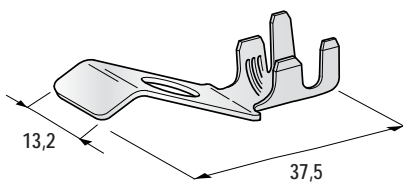
1



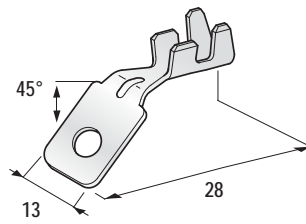
2

IMG	DESCRIPTION	SCREW	WIRE SECTION mm <sup>2</sup>	MATERIAL	MATERIAL THICKNESS mm	P/N BOX	M.O.Q.	P/N BOX	M.O.Q.
1	STD	M4	1 ÷ 2	CuZn	0,6	1602970	100	1902970	5000
	STD	M5	1 ÷ 2	CuZn	0,6	1602980	100	1902980	5000
	STD	M6	1 ÷ 2	CuZn	0,6	1602981	100	1902981	5000
2	STD	M6	25 ÷ 40	CuZn - Sn	1,5	1609000	2000		

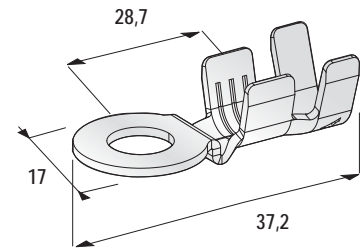
# GROUND



1



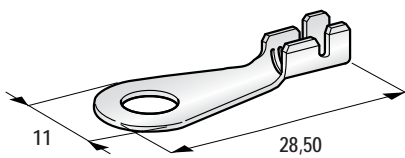
2



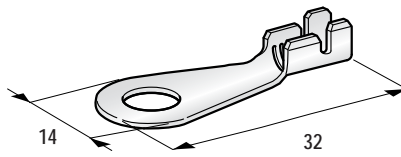
3

IMG	DESCRIPTION	SCREW	WIRE SECTION mm <sup>2</sup>	MATERIAL	MATERIAL THICKNESS mm		P/N REEL	M.O.Q.
1	GND 188 TW25	M8	2,5÷4	CuZn-Sn	0,8		1708150	4800
2	GND 188 G45	M5	2,5÷6	CuZn-Sn	0,8		1708160	4800
3	GND L37M8	M8	10	CuZn	1,2		1793754	4000

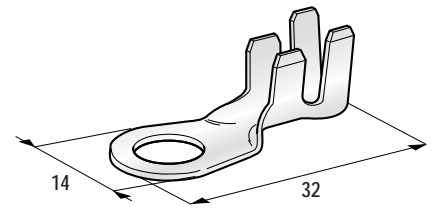
# GROUND



1



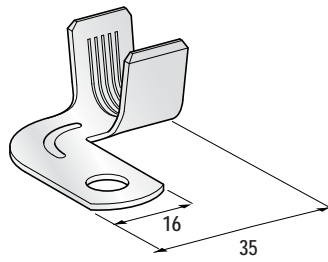
2



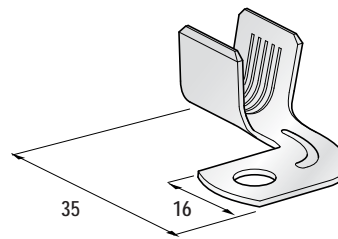
3

IMG	DESCRIPTION	SCREW	WIRE SECTION mm <sup>2</sup>	MATERIAL	MATERIAL THICKNESS mm	P/N BOX	M.O.Q.	P/N REEL	M.O.Q.
1	GND	M5	0,5÷1,5	CuZn-Sn	0,6			1706740	4000
	GND FLY	M5	0,5÷1,5	CuZn-Sn	0,6			1706741	4000
2	GND	M6	1÷2,5	CuZn-Sn	0,8	1106720	100	1706720	2000
	GND	M6	4÷6	CuZn-Sn	0,8	1106700	100	1706700	1500
	GND	M6	8÷10	CuZn-Sn	0,8	1106750	100	1706750	1000
	GND	M8	1÷2,5	CuZn-Sn	0,8	1106730	100	1706730	2000
	GND	M8	4÷6	CuZn-Sn	0,8	1106710	100	1706710	1500
	GND	M8	8÷10	CuZn-Sn	0,8	1106760	100	1706760	1000
3	GND FLY	M6	1÷2,5	CuZn-Sn	0,8			1706721	2000
	GND FLY	M6	3÷6	CuZn-Sn	0,8			1706701	2000
	GND FLY	M8	1÷2,5	CuZn-Sn	0,8			1706731	2000
	GND FLY	M8	3÷6	CuZn-Sn	0,8			1706711	2000

# CBA



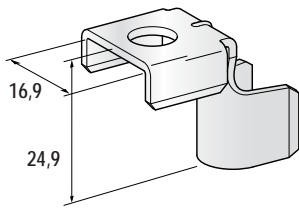
1



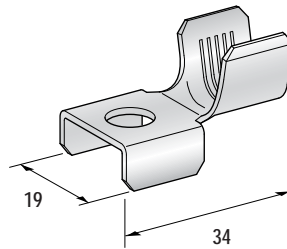
2

IMG	DESCRIPTION	SCREW	WIRE SECTION mm <sup>2</sup>	MATERIAL	MATERIAL THICKNESS mm	P/N BOX	M.O.Q.	P/N REEL	M.O.Q.
1	CBA FL 90	M8	10÷20	CuZn-Sn	1,5	1608170	500	1708170	1500
	CBA FL 90	M6	10÷20	CuZn-Sn	1,5			1708175	1000
	CBA FL 90	M6	25÷42	CuZn-Sn	1,5	1604300	1500		
	CBA FL 90	M8	25÷42	CuZn-Sn	1,5	1608210	1500	1708210	1600
	CBA FL 90	M6	25÷42	CuZn-Sn	1,5			1708215	1200
	CBA FL 90	M8	50÷70	CuZn-Sn	1,8			1708230	900
2	CBA SX FL90	M6	20÷40	CuZn-Sn	1,8			1708325	700
	CBA SX FL90	M8	20÷40	CuZn-Sn	1,8	1608321	1000	1708320	700
	CBA SX FL90	M8	25÷40	Cu-Sn	1,8			1708321	700
	CBA SX FL90	M6	50÷70	CuZn-Sn	1,8			1708315	900
	CBA SX FL90	M8	50÷70	CuZn-Sn	1,8			1708310	900

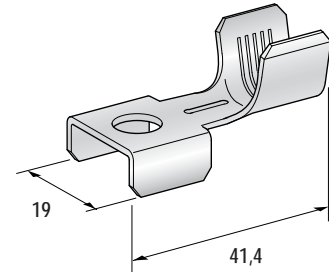
# MEGA



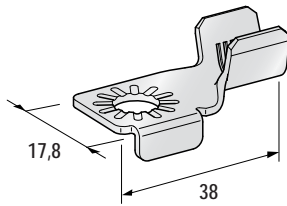
1



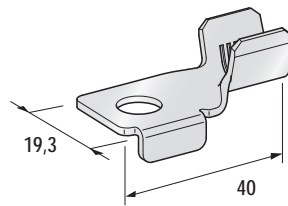
2



3



4

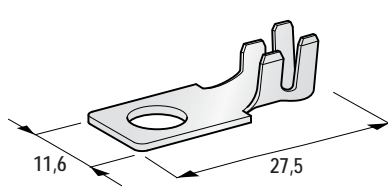


5

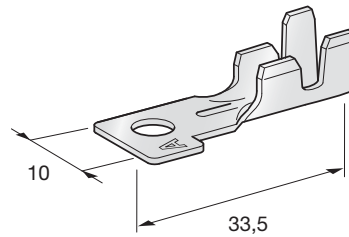
IMG	DESCRIPTION	SCREW	WIRE SECTION mm <sup>2</sup>	MATERIAL	MATERIAL THICKNESS mm	P/N BOX	M.O.Q.	P/N REEL	M.O.Q.
1	MEGA G90	M8	10÷20	Cu-Sn	1,5	1608180	2000		
	MEGA G90	M8	25÷35	Cu-Sn	1,5	1608190	500		
2	MEGA	M8	10÷20	Cu-Sn	1,2	1108110	10	1708110	1350
	MEGA	M8	25÷35	Cu-Sn	1,2	1108120	10	1708120	1050
3	MEGA	M8	25÷40	Cu-Sn	1,5	1608196	500		
4	W84	M8	10÷25	CuZn-Sn	1,5	1608800	1400		
5	W62	M8	25÷40	Cu-Sn	1,5	1609320	750		



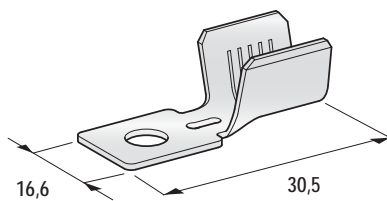
# MIDI



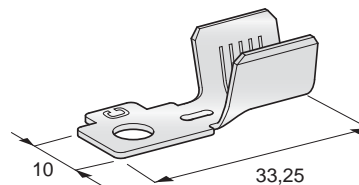
1



2

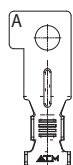


3

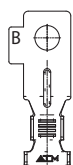


4

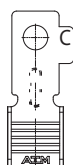
IMG	DESCRIPTION	SCREW	WIRE SECTION mm <sup>2</sup>	MATERIAL	MATERIAL THICKNESS mm	P/N BOX	M.O.Q.	P/N REEL	M.O.Q.
1	MIDI	M5	2,5÷4	CuZn-Sn	0,8	1108240	10	1708240	4000
	MIDI	M5	6÷8	CuZn-Sn	0,8	1108245	10	1708245	3200
	MIDI	M6	6÷8	CuZn-Sn	0,8			1708246	3200
2	MIDI POL A	M5	2,5÷4	Cu-Sn	0,8			1705616	4000
	MIDI POL B	M5	2,5÷4	Cu-Sn	0,8			1705626	4000
	MIDI POL E	M5	2,5÷4	Cu-Sn	0,8			1705656	4000
	MIDI POL B	M5	6÷8	Cu-Sn	0,8			1705725	4000
	MIDI POL D	M5	6÷8	Cu-Sn	0,8			1705745	4000
3	MIDI POL C	M5	6÷8	Cu-Sn	0,8			1705735	4000
	MIDI	M5	10÷16	CuZn-Sn	0,8			1708250	3200
4	MIDI POL C	M5	10÷20	Cu-Sn	1,5			1705835	2000
	MIDI POL B	M5	10÷20	Cu-Sn	1,5			1705825	1000
	MIDI POL B	M5	25÷35	Cu-Sn	1,5			1705925	1200



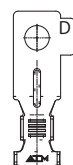
POL A



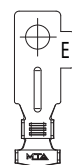
POL B



POL C

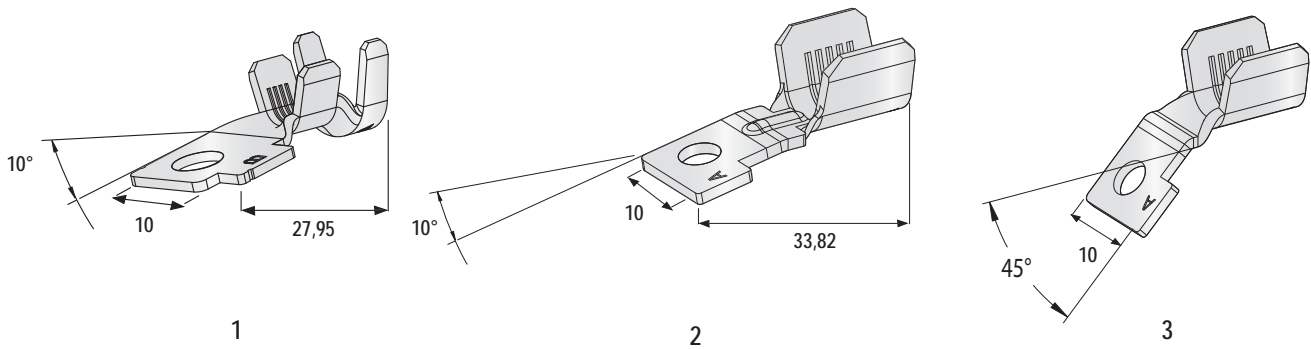


POL D

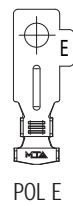
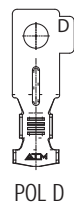
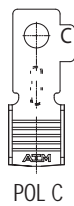
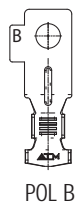
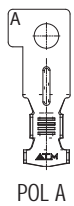


POL E

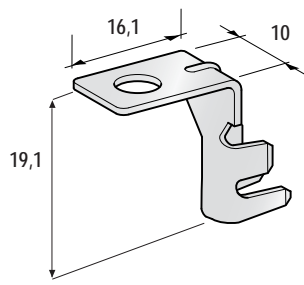
# MIDI



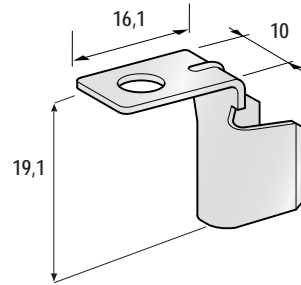
IMG	DESCRIPTION	SCREW	WIRE SECTION mm <sup>2</sup>	MATERIAL	MATERIAL THICKNESS mm	P/N BOX	M.O.Q.	P/N REEL	M.O.Q.
1	MIDI G10 POL B	M5	6÷8	1	CuZn-Sn			1705726	2700
2	MIDI G10 POL A	M5	10÷20	1,5	CuZn-Sn			1705816	1500
	MIDI G10 POL B	M5	10÷20	1,5	CuZn-Sn			1705826	1500
	MIDI G10 POL D	M5	10÷20	1,5	CuZn-Sn			1705846	1000
3	MIDI G135 POL A	M5	10÷20	1,5	CuZn-Sn	1605815	1500		



# MIDI G90

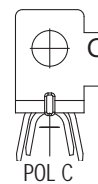
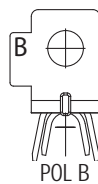
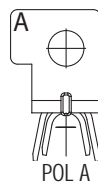


1

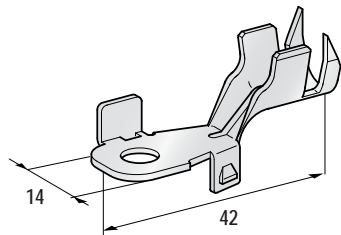


2

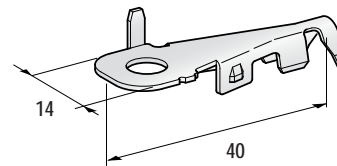
IMG	DESCRIPTION	SCREW	WIRE SECTION mm <sup>2</sup>	MATERIAL	MATERIAL THICKNESS mm		P/N BOX	M.O.Q.
1	MIDI G90 UNI	M5	2,5÷4	Cu-Sn	0,8		1605600	2000
	MIDI G90 POL.A	M5	2,5÷4	Cu-Sn	0,8		1605610	2000
	MIDI G90 POL.A	M5	6÷8	Cu-Sn	0,8		1605710	2000
	MIDI G90 POL.B	M5	2,5÷4	Cu-Sn	0,8		1605620	2000
	MIDI G90 POL.B	M5	6÷8	Cu-Sn	0,8		1605720	2000
	MIDI G90 POL.C	M5	2,5÷4	Cu-Sn	0,8		1605630	2000
	MIDI G90 POL.C	M5	6÷8	Cu-Sn	0,8		1605730	2000
2	MIDI G90 UNI	M5	10÷20	Cu-Sn	1,5		1605800	2000
	MIDI G90 UNI	M5	25÷35	Cu-Sn	1,5		1605900	2000
	MIDI G90 POL.A	M5	10÷20	Cu-Sn	1,5		1605810	1500
	MIDI G90 POL.A	M5	25÷35	Cu-Sn	1,5		1605910	2000
	MIDI G90 POL.B	M5	10÷20	Cu-Sn	1,5		1605820	2000
	MIDI G90 POL.C	M5	10÷20	Cu-Sn	1,5		1605830	2000
	MIDI G90 POL.C	M5	25÷35	Cu-Sn	1,5		1605930	2000



# REVERSIBLE



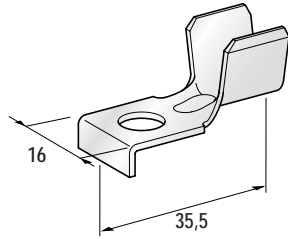
1



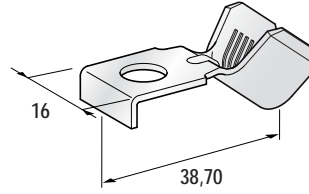
2

IMG	DESCRIPTION	SCREW	WIRE SECTION mm <sup>2</sup>	MATERIAL	MATERIAL THICKNESS mm		P/N REEL	M.O.Q.
1	RVS A	M6	2,5÷4	Cu-Sn	0,8		1706900	3000
	RVS A	M6	6÷8	Cu-Sn	1,0		1706910	2800
	RVS A	M6	10÷16	Cu-Sn	1,2		1706920	1800
2	RVS B	M6	2,5÷4	Cu-Sn	0,8		1706930	4400
	RVS B	M6	6÷8	Cu-Sn	1,0		1706940	3000

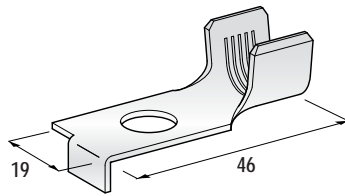
# SQUARE



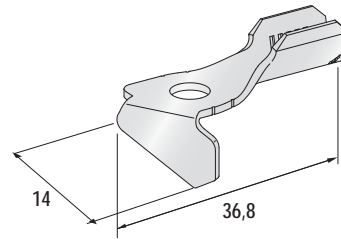
1



2



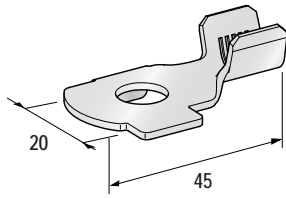
3



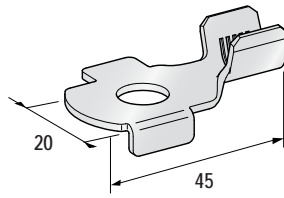
4

IMG	DESCRIPTION	SCREW	WIRE SECTION mm <sup>2</sup>	MATERIAL	MATERIAL THICKNESS mm	P/N BOX	M.O.Q.	P/N REEL	M.O.Q.
1	SQR A	M6	10÷20	CuZn-Sn	1,2			1706970	2400
	SQR A	M6	25÷35	CuZn-Sn	1,2			1706980	2000
	SQR A	M6	25÷40	CuZn-Sn	1,5	1606981	1800		
	SQR A	M8	10÷20	CuZn-Sn	1,2			1706950	2400
	SQR A	M8	10 -20	CuZn-Sn	1,5	1606991	1700		
	SQR A	M8	25÷35	CuZn-Sn	1,2			1706960	2000
	SQR A	M8	25÷40	CuZn-Sn	1,5	1606990	2000		
2	SQR A G40	M6	25÷40	CuZn-Sn	1,2	1606982	2000		
3	SQR B	M10	10÷20	CuZn-Sn	1,5			1708220	1000
	SQR B	M10	25÷35	CuZn-Sn	1,5			1708200	1200
4	SQR G30	M6	6÷8	CuZn-Sn	1,5			1708340	2400
	SQR G30	M6	10÷20	CuZn-Sn	1,5	1608345	3000	1708345	2000

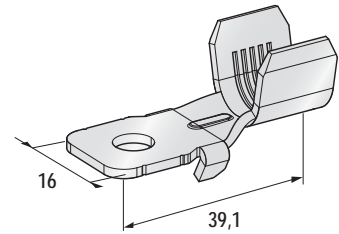
# SQUARE



1



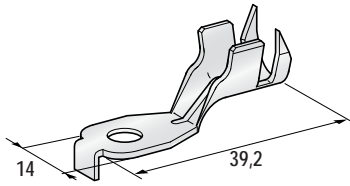
2



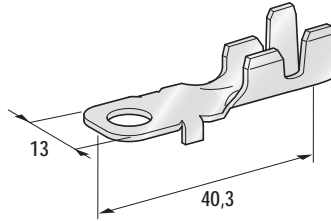
3

IMG	DESCRIPTION	SCREW	WIRE SECTION mm <sup>2</sup>	MATERIAL	MATERIAL THICKNESS mm		P/N REEL	M.O.Q.
1	SQR C DX	M10	10÷20	CuZn-Sn	1,5		1708185	1000
2	SQR C SX	M10	10÷20	CuZn-Sn	1,5		1708195	1000
	SQR C SX	M10	25÷40	CuZn-Sn	1,5		1708270	1000
3	SQR C MY03	M6	10÷20	CuZn-Sn	1,5		1706975	1800
	SQR C MY03	M6	25÷40	CuZn-Sn	1,5		1706977	1500

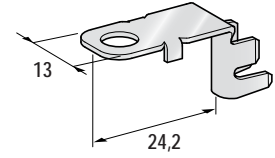
# SMT



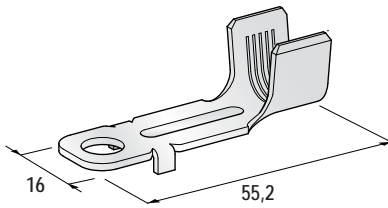
1



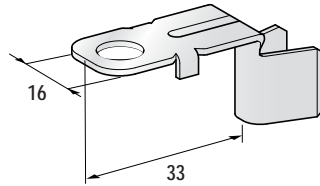
2



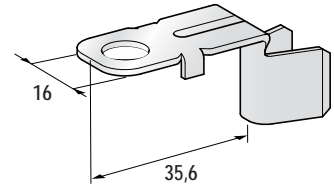
3



4



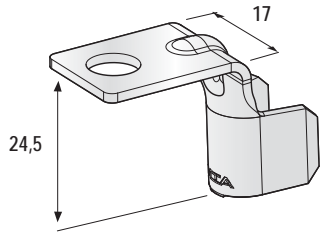
5



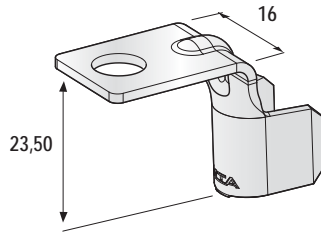
6

IMG	DESCRIPTION	SCREW	WIRE SECTION mm <sup>2</sup>	MATERIAL	MATERIAL THICKNESS mm	P/N BOX	M.O.Q.	P/N REEL	M.O.Q.
1	SMT - A	M6	6÷8	CuZn-Sn	1			1706880	2100
	SMT - A	M6	10÷16	CuZn-Sn	1,2	1606890	2000	1706890	1800
2	SMT - B	M6	2,5 ÷4	CuZn-Sn	0,8			1706600	6000
3	STM B G90	M6	2,5÷4	CuZn-Sn	0,8	1606796	1000		
4	SMT C	M6	6÷8	CuZn-Sn	1,2	1606775	500		
5	SMT C G90	M8	10 ÷20	CuZn-Sn	1,2	1606770	2000		
	SMT C G90	M8	10 ÷20	CuZn-Sn	1,2	1606780	2000		
	SMT C G90	M8	25 ÷40	CuZn-Sn	1,2	1606785	2000		
6	SMT C G90	M8	50 ÷70	CuZn-Sn	1,2	1606795	1000		

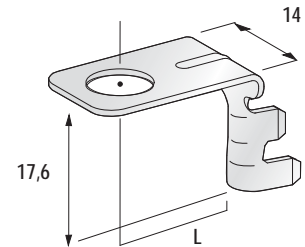
# SPECIAL TYPES



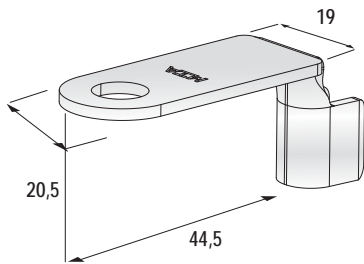
1



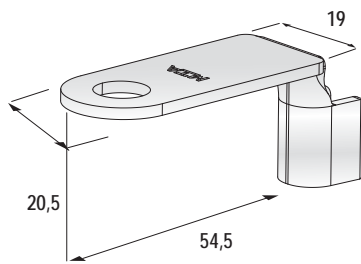
2



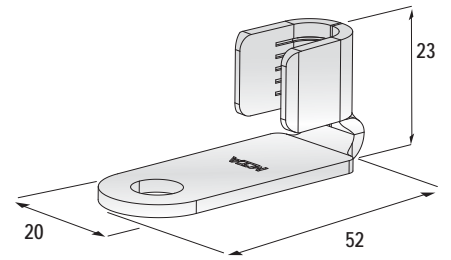
3



4



5

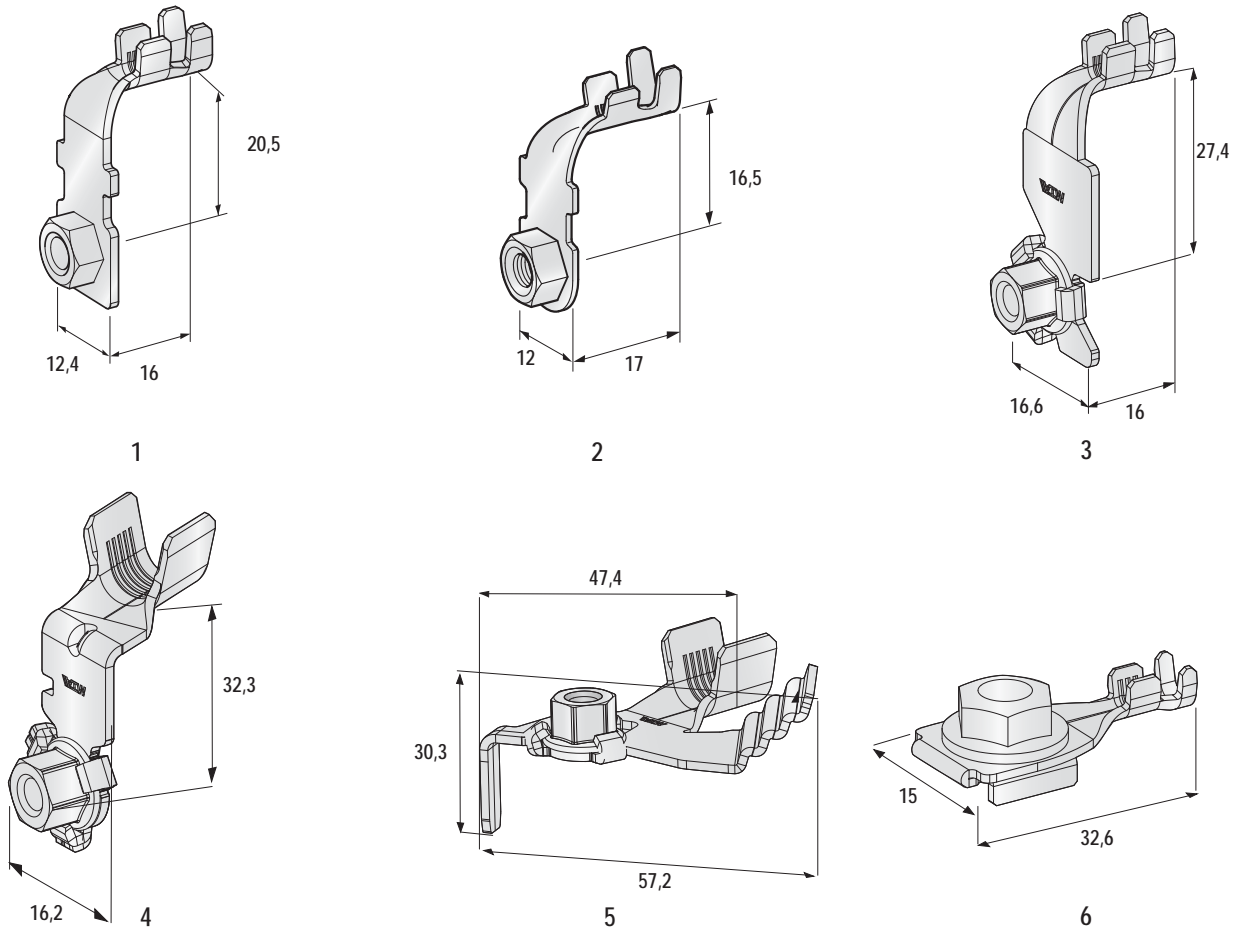


6

IMG	DESCRIPTION	SCREW	WIRE SECTION mm <sup>2</sup>	MATERIAL	MATERIAL THICKNESS mm	L		P/N BOX	M.O.Q.
1	FDU G90	M8	25÷40	CuZn-Sn	1,5			1608380	1500
	FDU G90	M6	25÷40	CuZn-Sn	1,5			1608381	700
2	G90	M8	50÷70	Cu-Sn	1,8			1607500	600
3	PTC G90	M8	2,5÷4	Cu-Sn	0,8	15,4		1608500	2000
	STR-S G90	M6	2,5÷4	Cu-Sn	0,8	11,4		1608510	2300
4	G90	M8	16	CuZn-Sn	1,9			1793752	500
5	G90	M8	16	CuZn-Sn	1,9			1796416	500
6	G90	M8	35	CuZn-Sn	2,3			1793753	500

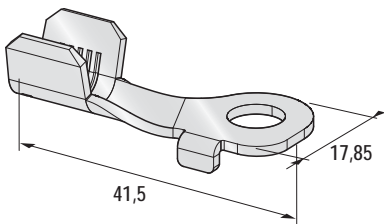


# NUT TYPES

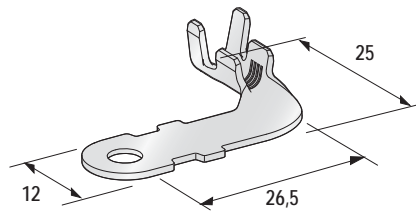


IMG	DESCRIPTION	SCREW	WIRE SECTION mm <sup>2</sup>	MATERIAL	MATERIAL THICKNESS mm		P/N BOX	M.O.Q
1	NUT G90 SH	M5	2,5÷5	CuZn-Sn	1,2		1608420	1500
2	NUT G90	M5	2,5÷5	CuZn-Sn	1,0		1608400	1500
3	W95 G90	M5	2,5÷5	CuZn-Sn	1,2		1608470	800
4	STARTER W95 G90	M6	25÷40	CuZn-Sn	1,5		1608450	500
5	JUMP START W95	M6	25÷40	CuZn-Sn	1,5		1608460	230
6	NUT L32	M6	1÷3	CuZn-Sn	1,0		1608480	TBD

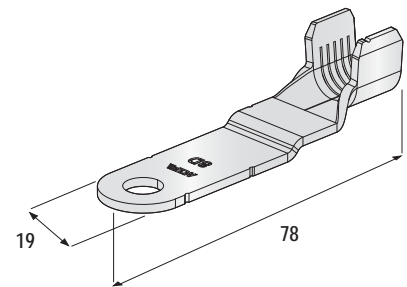
# SPECIAL TYPES



1



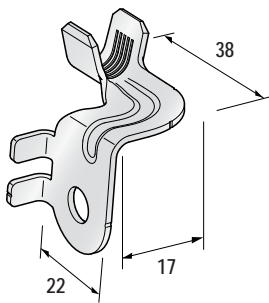
2



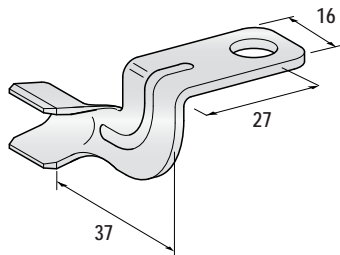
3

IMG	DESCRIPTION	SCREW	WIRE SECTION mm <sup>2</sup>	MATERIAL	MATERIAL THICKNESS mm	P/N BOX	M.O.Q.	P/N REEL	M.O.Q.
1	STARTER L41	M8	10÷20	CuZn-Sn	1,5			1708360	1500
	STARTER L41	M8	25÷40	CuZn-Sn	1,5			1708370	1200
2	X70 FL90	M5	4÷7	CuZn-Sn	1,0	1608415	3000		
3	ALTERNATOR	M8	35÷50	Cu-Sn	2	1607400	300		

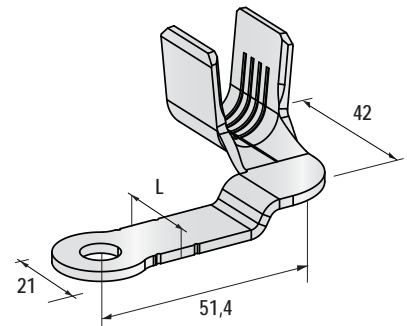
# SPECIAL TYPES



1



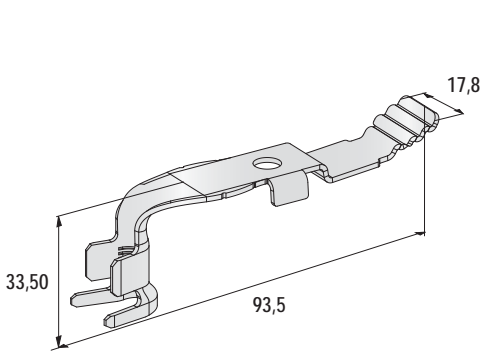
2



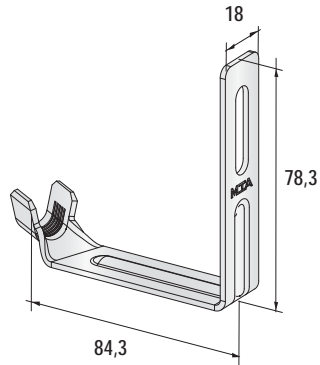
3

IMG	DESCRIPTION	SCREW	WIRE SECTION mm <sup>2</sup>	MATERIAL	MATERIAL THICKNESS mm	L		P/N BOX	M.O.Q.
1	ND TW90	M8	25÷40	CuZn-Sn	1,5			1609100	1000
2	FLANGE TW90	M8	10÷20	CuZn	1,5			1608600	1500
	FLANGE TW90	M8	25÷35	CuZn	1,5			1608700	1500
3	D21	M8	70÷95	CuZn-Sn	2,3	16		1609900	240
	D21	M8	16÷41	CuZn-Sn	2	16		1609910	380
	D21	M8	14÷41	CuZn-Sn	2	13		1609920	450

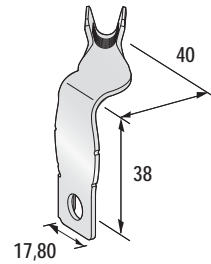
# SPECIAL TYPES



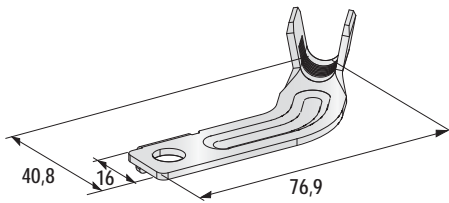
1



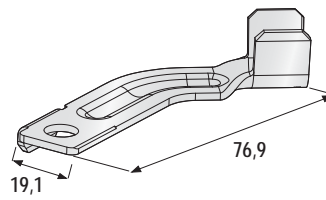
2



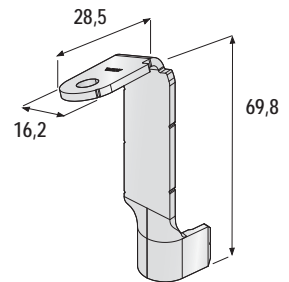
3



4



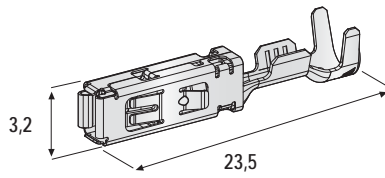
5



6

IMG	DESCRIPTION	SCREW	WIRE SECTION mm <sup>2</sup>	MATERIAL	MATERIAL THICKNESS mm		P/N BOX	M.O.Q.
1	W84 G90	M8	25÷41	CuZn-Sn	1,5		1609400	350
2	SLOT G90	M8	25÷40	CuZn-Sn	1,8		1609500	300
3	W84 TW90	M8	10÷25	Cu-Sn	1,5		1608911	800
4	W61 FLAG5	M8	25	CuZn-Sn	1,8		1609600	500
5	W62 FLAG 50	M8	25÷40	CuZn-Sn	1,8		1609310	300
6	W95 G90	M6	25÷40	CuZn-Sn	2,2		1608440	400

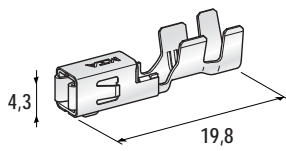
# HP6 280



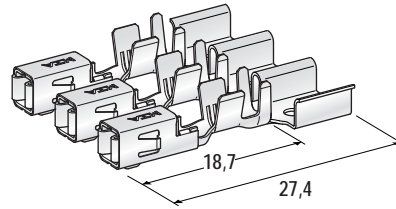
1

IMG	DESCRIPTION	WIRE SECTION mm <sup>2</sup>	MATERIAL	MATERIAL THICKNESS mm	CONTACT AREA COATING		P/N REEL	M.O.Q
1	HP6 280	0,5÷1	Cu Alloy-Sn	0,3	Au		1708380	14000
	HP6 280	1,5÷2,5	Cu Alloy-Sn	0,3	Au		1708381	14000
	HP6 280	0,5÷1	Cu Alloy-Sn	0,3	Sn		1708382	14000
	HP6 280	1,5÷2,5	Cu Alloy-Sn	0,3	Sn		1708383	14000

# MINI 280



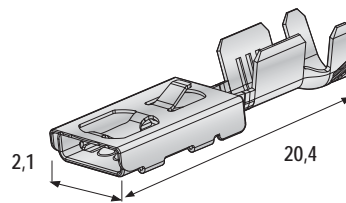
1



2

IMG	DESCRIPTION	WIRE SECTION mm <sup>2</sup>	MATERIAL THICKNESS mm	MATERIAL	P/N BOX	M.O.Q.	P/N REEL	M.O.Q.
1	MINI F280	0,35÷0,75	0,30	CuFe-Sn	1108330	100	1708330	9000
	MINI F280	1÷2	0,30	CuFe-Sn	1108331	100	1708331	9000
	MINI F280	2,5÷4	0,30	CuFe-Sn	1108332	100	1708332	9000
2	MINI F280 BUS BAR	1÷2	0,30	CuFe-Sn			1708335	15000
	MINI F280 BUS BAR	2,5÷4	0,30	CuFe-Sn			1708336	15000

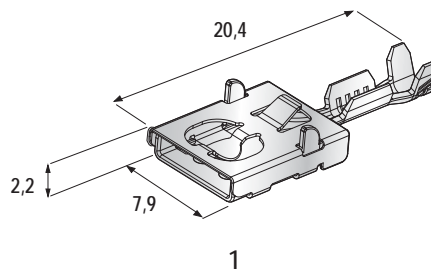
# F 480E



1

IMG	DESCRIPTION	WIRE SECT mm <sup>2</sup>	MATERIAL	MATERIAL THICKNESS mm		P/N REEL	M.O.Q
1	F480E	0,35÷1	CuZn-Sn	0,3		1708400	20000
	F480E	1,5÷2,5	Cu Alloy-Sn	0,3		1708401	16000

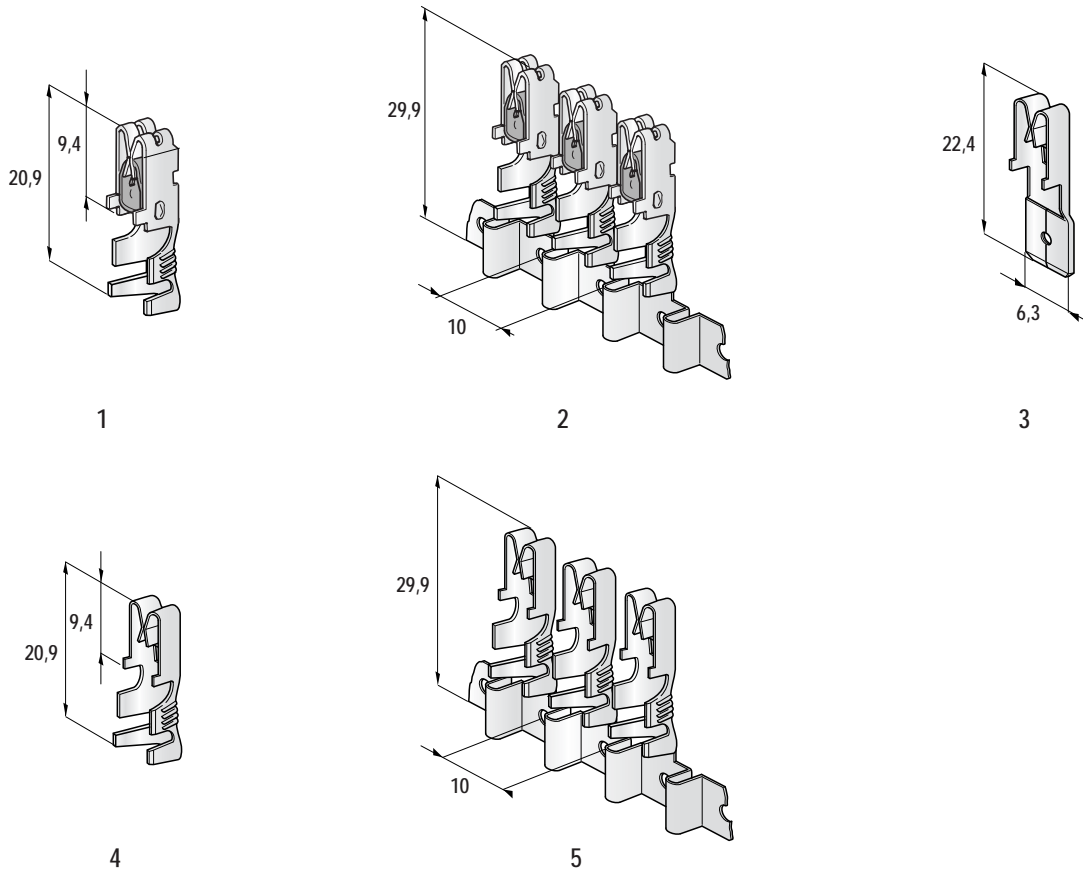
# F 630E



IMG	DESCRIPTION	WIRE SECTION mm <sup>2</sup>	MATERIAL	MATERIAL THICKNESS mm	TAB		P/N REEL	M.O.Q.
1	F630 E	0,35÷0,5	CuZn-Sn	0,40	6,3 x 0,8		1708500	14000
	F630 E	0,75÷1,5	CuZn-Sn	0,40	6,3 x 0,8		1708501	12000
	F630 E	2÷2,5	Cu Alloy-Sn	0,40	6,3 x 0,8		1708502	10000
	F630 E	4÷6	Cu Alloy-Sn	0,40	6,3 x 0,8		1708503	8400
	F630 E	0,35÷0,5	CuZn-Sn	0,40	5,2 x 0,6		1708510	TBD
	F630 E	0,75÷1,5	CuZn-Sn	0,40	5,2 x 0,6		1708511	12000
	F630 E	2÷2,5	Cu Alloy-Sn	0,40	5,2 x 0,6		1708512	10000
	F630 E	4÷6	Cu Alloy-Sn	0,40	5,2 x 0,6		1708513	8400

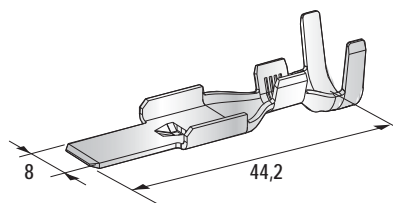


# UNI 630

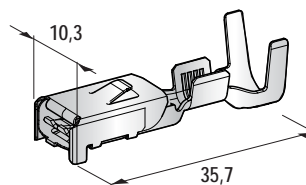


IMG	DESCRIPTION	WIRE SECTION mm <sup>2</sup>	MATERIAL	MATERIAL THICKNESS mm	P/N BOX	M.O.Q.	P/N REEL	M.O.Q.
1	UNI F630 WITH CLIP	0,5÷1,5	CuSn-Sn	0,4	1107920	100	1707920	10000
	UNI F630 WITH CLIP	2÷3	CuSn-Sn	0,4	1107930	100	1707930	10000
	UNI F630 WITH CLIP	4÷6	CuNi-Sn	0,4	1107940	50	1707940	9000
2	UNI F630 BUS BAR C/CLIP	2÷3	CuSn-Sn	0,4			1707932	15000
	UNI F630 BUS BAR C/CLIP	4÷6	CuNi-Sn	0,4			1707942	9000
3	UNI F630		CuSn-Sn	0,4	1107501	100	1907501 box	5000
4	UNI F630	0,5÷1,5	CuSn-Sn	0,4	1107900	100	1707900	10000
	UNI F630	2÷3	CuSn-Sn	0,4			1707902	10000
	UNI F630	4÷6	CuSn-Sn	0,4	1107901	100	1707901	9000
5	UNI F630 BUS BAR	0,5÷1,5	CuSn-Sn	0,4			1707910	15000
	UNI F630 BUS BAR	2÷3	CuSn-Sn	0,4			1707912	15000
	UNI F630 BUS BAR	4÷6	CuSn-Sn	0,4			1707911	9000

# MAXI 800 WP



1



2



3

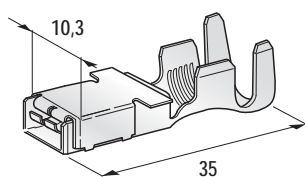


4

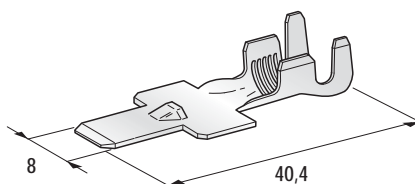
IMG	DESCRIPTION	WIRE SECTION mm <sup>2</sup>	MATERIAL	MATERIAL THICKNESS mm		P/N REEL	M.O.Q.
1	WP M800	2,5 - 4	Cu-Sn	0,8		1707760	1950
	WP M800	6 - 8	Cu-Sn	0,8		1707770	1950
	WP M800	10 - 16	Cu-Sn	0,8		1707780	1950
2	WP F800	1,5 - 2,5	CuZn-Sn	0,5		1707400	3900
	WP F800	3 - 6	CuZn-Sn	0,5		1707410	3900
	WP F800	7 - 10	CuNi-Sn	0,5		1707420	3900

IMG	DESCRIPTION	WIRE DIAMETER Ømm	MATERIAL	COLOUR	P/N BOX	M.O.Q.
3	GASKET	1,9 - 3,3	SILICON	■ Green	4550780	5000
	GASKET	3,4 - 4,3	SILICON	■ Blue	4550781	5000
	GASKET	5 - 6,5	SILICON	■ Red	4550782	5000
	GASKET	6,6 - 7,4	SILICON	■ Yellow	4550783	5000
4	CAVITY PLUG		SILICON	□ Natural	4550784	5000

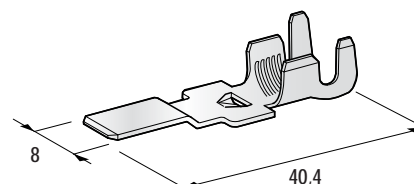
# MAXI 800



1



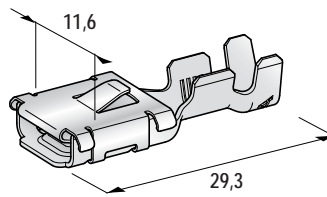
2



3

IMG	DESCRIPTION	WIRE SECTION mm <sup>2</sup>	MATERIAL	MATERIAL THICKNESS mm	P/N BOX	M.O.Q	P/N REEL	M.O.Q.
1	F800	1,5÷2,5	CuZn-Sn	0,5	1107650	20	1707650	6000
	F800	4÷6	CuZn-Sn	0,5	1107660	20	1707660	6000
	F800	8÷10	CuZn-Sn	0,5	1107670	20	1707670	3900
	F800	8÷10	CuNi-Sn	0,5			1707672	3900
	F800	16	CuNi-Sn	0,5	1107671	20	1707671	3900
2	M800	2,5÷4	Cu-Sn	0,8	1107675	20	1707675	4000
	M800	6÷8	Cu-Sn	0,8	1107685	20	1707685	3200
	M800	10÷16	Cu-Sn	0,8	1107690	20	1707690	2600
3	WP M800	2,5÷4	Cu-Sn	0,8	1107700	20	1707700	4000
	WP M800	6÷8	Cu-Sn	0,8	1107710	20	1707710	3200
	WP M800	10÷16	Cu-Sn	0,8	1107720	20	1707720	2800

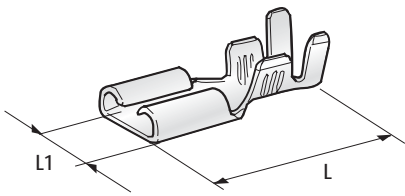
# POWER 950



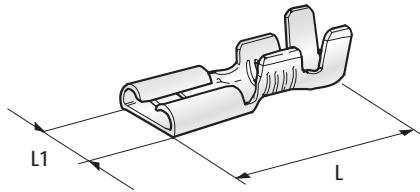
1

IMG	DESCRIPTION	WIRE SECTION mm <sup>2</sup>	MATERIAL	MATERIAL THICKNESS mm	P/N BOX	M.O.Q.	P/N REEL	M.O.Q.
1	F950	2,5÷4	Cu-Sn	0,6	1107740	20	1707740	4000
	F950	6÷8	Cu-Sn	0,6	1107741	20	1707741	3200
	F950	10÷16	Cu-Sn	0,6			1707742	2600

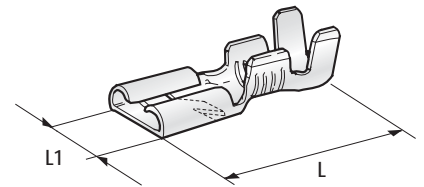
# FASTON



1



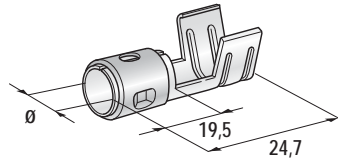
2



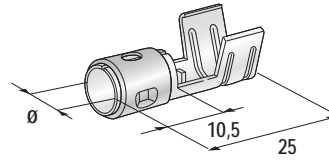
3

IMG	DESCRIPTION	WIRE SECTION mm <sup>2</sup>	MATERIAL	MATERIAL THICKNESS mm	P/N BOX	M.O.Q.	P/N BOX	M.O.Q.	P/N REEL	M.O.Q.
1	FASTON F480	0,5÷1	CuZn	0,33	1301391	100	1901391	10000		
	FASTON F480	0,5÷1	CuZn-Sn	0,33					1701391	10000
2	FASTON F630	0,3÷0,8	CuZn	0,40	1301402	100	1901402	5000	1401402	5000
	FASTON F630	1÷2,5	CuZn-Sn	0,35					1701655	5000
	FASTON F630	1÷2,5	CuZn	0,40	1301400	10000	1901400	5000	1401400	5000
	FASTON F630	1÷2,5	CuZn-Sn	0,40	1101400	200	1911400	5000	1701400	5000
3	FASTON F630									
	WITH LOCKING NOTCH	1÷2,5	CuZn	0,35	1301650	5000	1901650	5000		
	FASTON F630									
	WITH LOCKING NOTCH	1÷2,5	CuZn-Sn	0,35	1101650	5000	1911650	5000	1701650	5000
	FASTON F630									
	WITH LOCKING NOTCH	2,5÷6	CuZn-Sn	0,35					1701651	3000

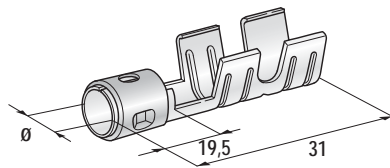
# IGNITION CABLES



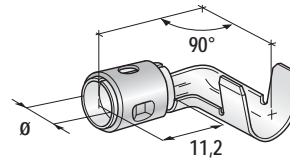
1



2



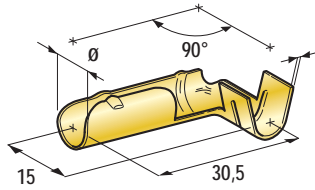
3



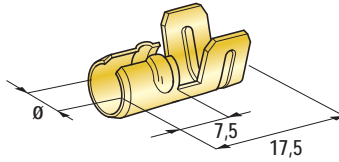
4

IMG	DESCRIPTION	WIRE SECTION mm <sup>2</sup>	∅ mm	MATERIAL	MATERIAL THICKNESS mm	P/N REEL	M.O.Q.
1	PLUG TERMINAL WITH CLIP	7	6,2	St AISI 430	0,5	1400860	2000
2	PLUG TERMINAL WITH CLIP	7	6,2	St AISI 430	0,5	1400865	2000
3	PLUG TERMINAL WITH CLIP	7	6,2	St AISI 430	0,5	1400850	2000
4	PLUG TERMINAL 90° WITH CLIP	7	6,2	St AISI 430	0,5	1400862	1000

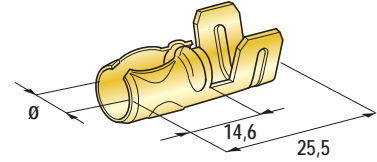
# IGNITION CABLES



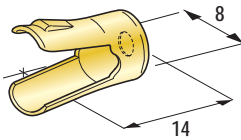
1



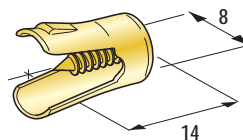
2



3



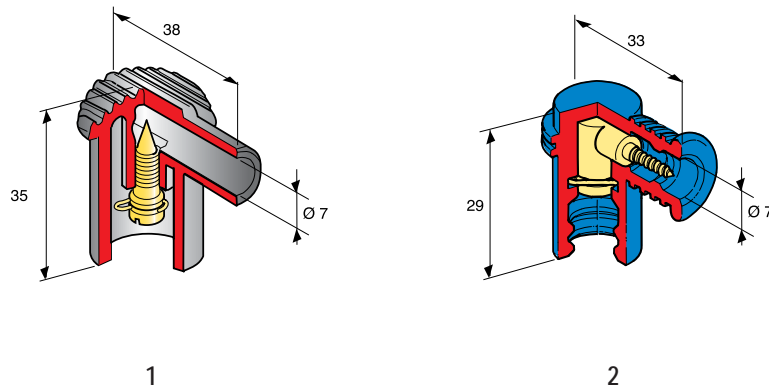
4



5

IMG	DESCRIPTION	WIRE SECTION mm <sup>2</sup>	Ø mm	MATERIAL mm	MATERIAL THICKNESS mm	P/N BOX	M.O.Q.	P/N REEL	M.O.Q.
1	COIL - DISTRIBUTOR TERMINAL 90°	7	8,3	CuZn 67	0,5	1200880	100	1400880	1250
2	COIL - DISTRIBUTOR TERMINAL	7	6,2	CuZn 67	0,5			1400910	2500
3	COIL - DISTRIBUTOR TERMINAL	7	6,5	CuZn 67	0,5			1400920	2500
4	COIL - DISTRIBUTOR TERMINAL	7		CuZn 67	0,5			1900830 box	5000
5	COIL - DISTRIBUTOR TERMINAL	7			0,5	1200831	100	1900831 box	5000

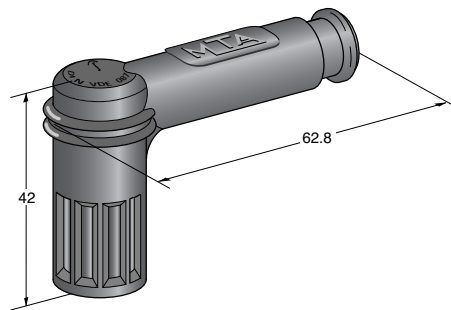
# SPARK PLUGS



IMG	DESCRIPTION	WIRE SECTION mm <sup>2</sup>	MATERIAL	COLOUR	P/N BOX	M.O.Q.	P/N BULK	M.O.Q.
1	SPARK PLUG WITH CARBON RESISTOR	7	PVC	■ Black	1200580	50		
2	SPARK PLUG WITH WIRE WOUND RESISTOR	7	EPDM	■ Blue			1900590	1000
	SPARK PLUG WITH CARBON RESISTOR	7	EPDM	■ Blue	1200590	50		

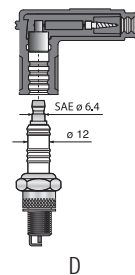
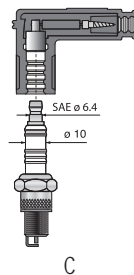
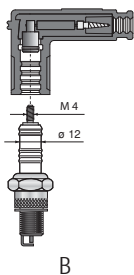
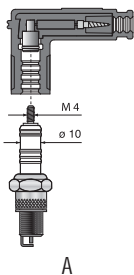


# SPARK PLUGS

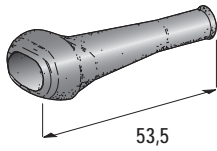


1

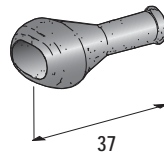
IMG	DESCRIPTION	SPARK PLUG	RESISTANCE	MATERIAL	COLOUR	P/N BOX	M.O.Q.	P/N BULK	M.O.Q.
1	SPARK PLUG	A	5000 $\Omega$	EPDM	■ Black	1000900	5	1900900	500
	SPARK PLUG	D	5000 $\Omega$	EPDM	■ Blue	1000910	5	1900910	500
	SPARK PLUG	B	5000 $\Omega$	EPDM	■ Black			1900920	500
	SPARK PLUG	C	5000 $\Omega$	EPDM	■ Black	1000930	5	1900930	500
	SPARK PLUG	C	5000 $\Omega$	EPDM	■ Red			1900940	500



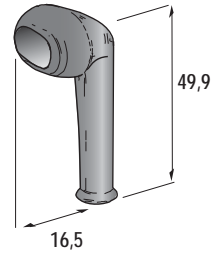
## CAPS



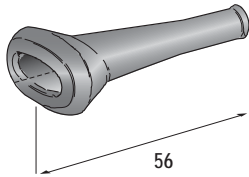
1



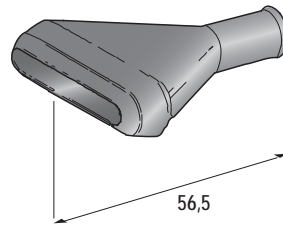
2



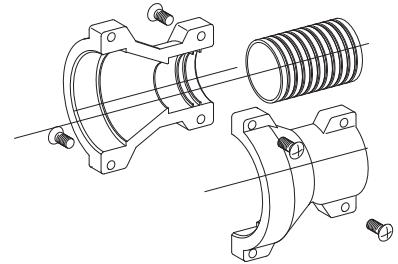
3



4



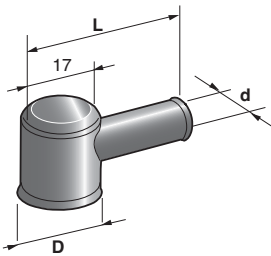
5



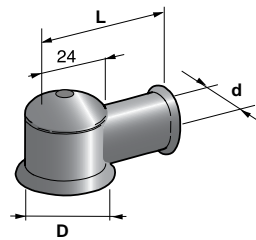
6

IMG	DESCRIPTION	WAY	∅ mm	MATERIAL	COLOUR	P/N BOX	M.O.Q.	P/N BULK	M.O.Q.
1	CAP FOR CONNECTOR JT	2		RUBBER		4420901	10	4520901	500
2	CAP FOR CONNECTOR JT	2		RUBBER		4420902	10	4520902	500
3	CAP FOR CONNECTOR JPT	2		RUBBER		4420911	10	4520911	500
4	CAP FOR CONNECTOR JPT	3		RUBBER	■ Black	4420921	10	4520921	500
5	CAP FOR CONNECTOR JT	7		RUBBER	■ Black	4420931	5	4520931	500
6	ADAPTOR FOR CONNECTORS		44,6	PA66	■ Black			4551575	500

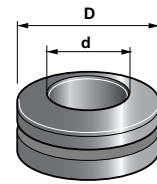
# CAPS



1



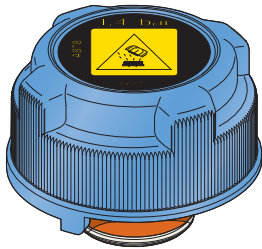
2



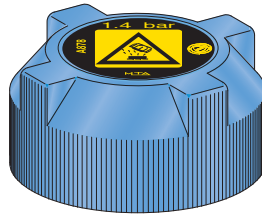
3

IMG	DESCRIPTION	L	d	D	MATERIAL	COLOUR	P/N BOX	M.O.Q.	P/N BULK	M.O.Q.
1	CAP	37	6	11	PVC	■Black			4410300	100
	CAP	41	7,5	15	PVC	■Black			4410310	100
	CAP	61	9	16	PVC	■Black			4410320	100
2	ALTERNATOR CAP	48	11	21	CR60	■Black	4410400	10	4510400	500
3	FAIRLEAD		7	16	PVC	■Black			4410350	250
	FAIRLEAD		9	16,5	PVC	■Black			4410360	250

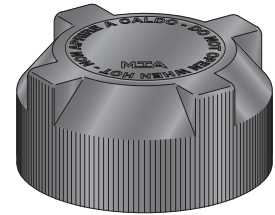
# RADIATOR CAPS



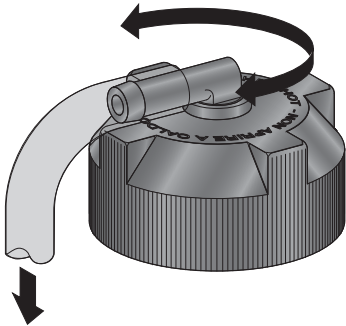
1



2



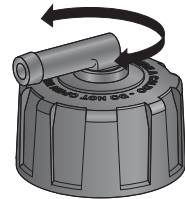
3



4



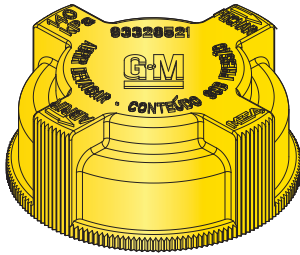
5



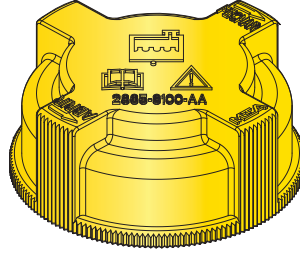
6

IMG	DESCRIPTION	PRESSION BAR	DEPRESSION BAR	MATERIAL	COLOUR	P/N BOX	M.O.Q.	P/N BULK	M.O.Q.
1	RADIATOR CAP	1,4	0,04 - 0,10	PP GF30	■ Blue	5014877	1	5056000	500
2	RADIATOR CAP	1	0,04 - 0,10	PP GF30	■ Black	5014862	1	5050123	200
3	RADIATOR CAP	1,4	0,04 - 0,10	PP GF30	■ Blue	5014873	1	5050103	200
3	RADIATOR CAP	1	0,04 - 0,10	PP GF30	■ Black	5014861	1	5114861	200
	RADIATOR CAP	1,2	0,04 - 0,10	PP GF30	■ Black			5050124	200
4	RADIATOR CAP	0,5	0,04 - 0,10	PP GF30	■ Black	5014900	1	5050090	200
	RADIATOR CAP	1	0,04 - 0,10	PP GF30	■ Black	5014901	1	5114901	200
	RADIATOR CAP	1,4	0,04 - 0,10	PP GF30	■ Blue			5050108	200
5	RADIATOR CAP	0,9	0,04 - 0,10	PP GF30	■ Black		1	5050097	270
	RADIATOR CAP	1,1	0,04 - 0,10	PP GF30	■ Black			5050121	270
6	RADIATOR CAP	1,1	0,04 - 0,10	PP GF30	■ Black	5014876	1	5050116	270

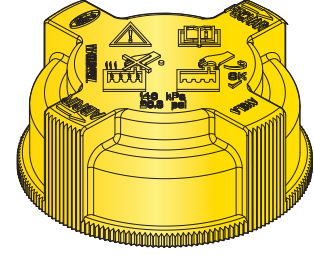
# RADIATOR CAPS



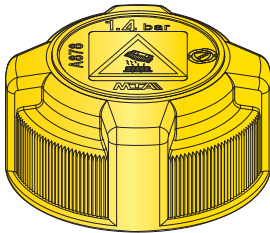
1



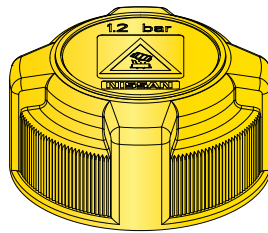
2



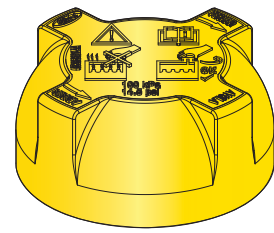
3



4



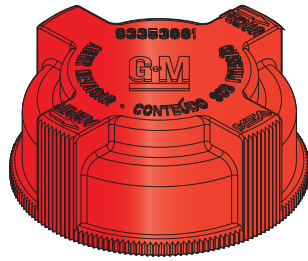
5



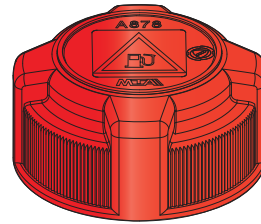
6

IMG	DESCRIPTION	PRESSION BAR	DEPRESSION BAR	MATERIAL	COLOUR	P/N	M.O.Q.
1	RADIATOR CAP GM	1,4	0,15 Max	PP GF30	Yellow	5050140	500
2	RADIATOR CAP FORD	1,4	0,04 - 0,10	PP GF30	Yellow	5050143	500
3	RADIATOR CAP FORD	1,4	0,04 - 0,10	PP GF30	Yellow	5050147	500
4	RADIATOR CAP FIAT	1,0	0,04 - 0,10	PP GF30	Yellow	5050126	500
	RADIATOR CAP FIAT	1,4	0,04 - 0,10	PP GF30	Yellow	5050127	500
5	RADIATOR CAP NISSAN	1,2	0,04 - 0,10	PP GF30	Yellow	5050227	500
6	RADIATOR CAP FORD TRUCK	1,0	0,15 Max	PP GF30	Yellow	5050136	500

# GASOLINE CAPS



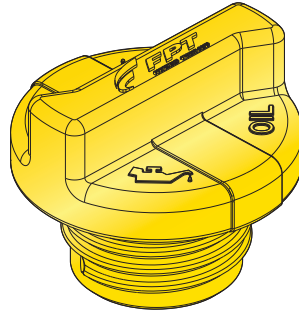
1



2

IMG	DESCRIPTION	PRESSION BAR	DEPRESSION BAR	MATERIAL	COLOUR	P/N	M.O.Q.
1	GASOLINE CAP GM	0,35	0,08 Max	PP GF30	■ Red	5050128	500
2	GASOLINE CAP FIAT	0,6	0,04 - 0,10	PP GF30	■ Red	5051108	500

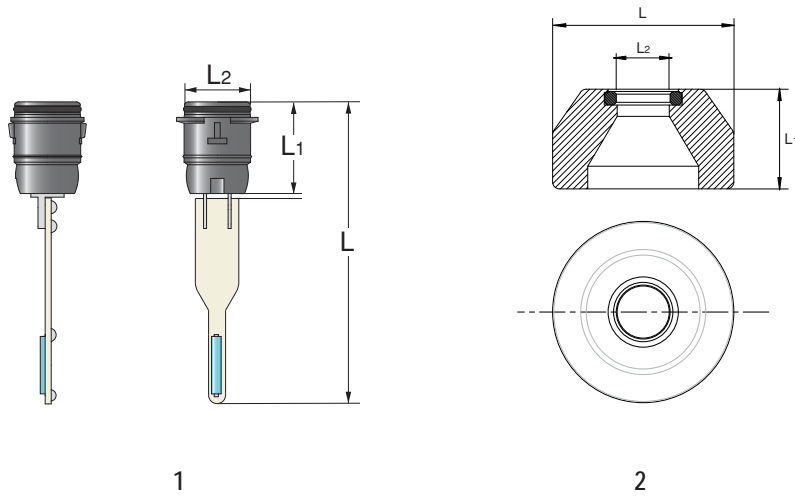
# OIL CAPS



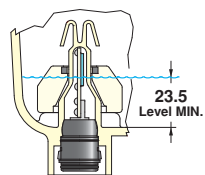
1

IMG	DESCRIPTION	MATERIAL	COLOUR			P/N	M.O.Q.
1	OIL CAP FIAT/FORD	PP GF30	Yellow			5050133	500

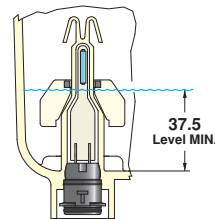
# LEVEL SENSORS



IMG	DESCRIPTION	TYPE mm	L mm	L <sub>1</sub> mm	L <sub>2</sub>	MATERIAL	P/N	M.O.Q.
1	LEVEL SENSOR	A	58,15	24,25	17,35	PA66	7050090	600
	LEVEL SENSOR	B	79,65	24,25	17,35	PA66	7050091	400
2	FLOAT	A-B	40	22	11,5	PP	7057091	1000



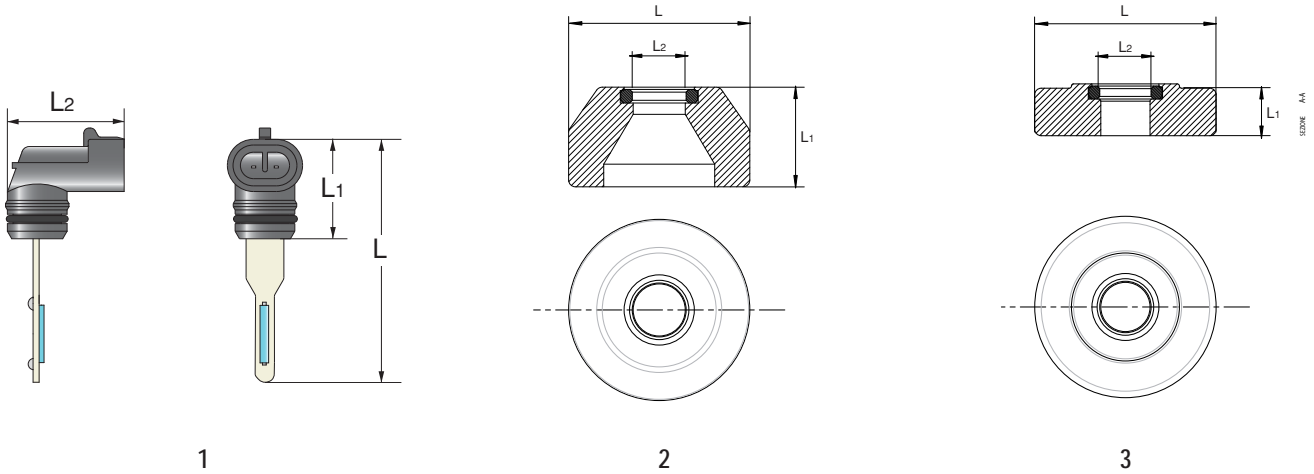
A



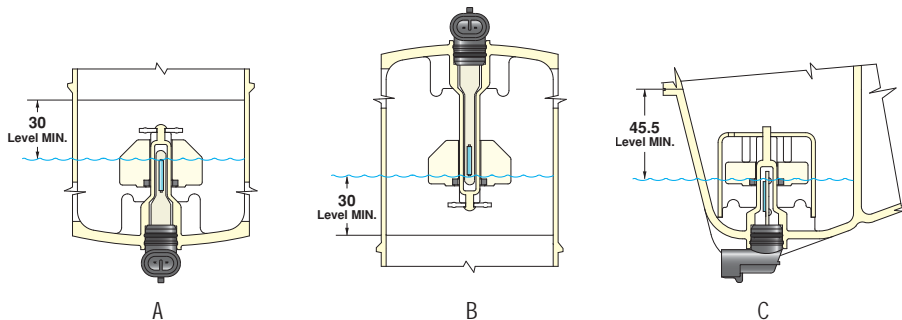
B



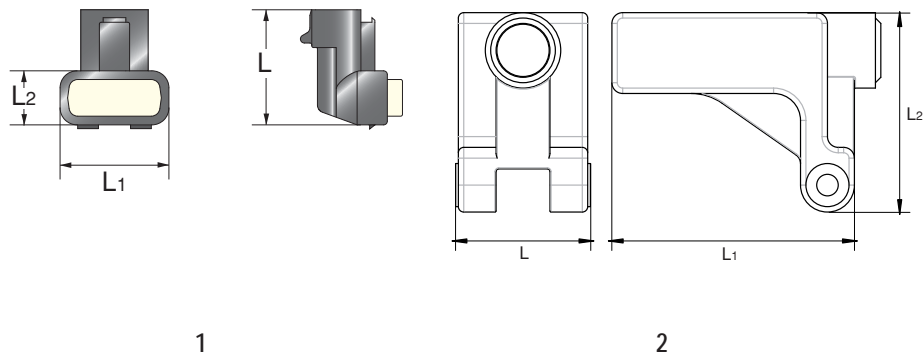
# LEVEL SENSORS



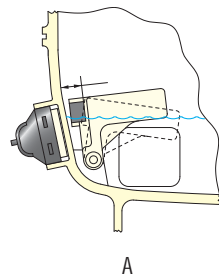
IMG	DESCRIPTION	TYPE	L mm	L <sub>1</sub> mm	L <sub>2</sub> mm	MATERIAL	P/N	M.O.Q.
1	LEVEL SENSOR	A	64,4	26,4	30,9	PA66	7050088	600
	LEVEL SENSOR	B	84,4	26,4	30,9	PA66	7050096	400
	LEVEL SENSOR	C	53,7	26,4	30,9	PA66	7050092	600
2	FLOAT	A - B	42	24	11,4	PP	7057088	1000
4	FLOAT	C	42	11	11,4	PP	7057092	1000
	FLOAT	A	42	11	11,4	PA	7057093	1000
3	FLOAT		40	22	11,5	PP	7057091	1000



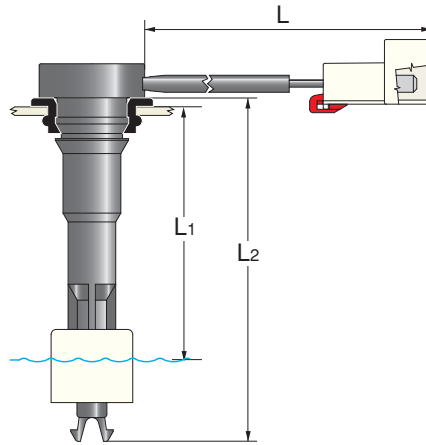
# LEVEL SENSORS



IMG	DESCRIPTION	TYPE	L mm	L <sub>1</sub> mm	L <sub>2</sub> mm	MATERIAL	P/N	M.O.Q.
1	LEVEL SENSOR	A	30,45	28,8	14,3	PA66	7050081	620
2	FLOAT	A	25	45	25	PP	7057081	1000

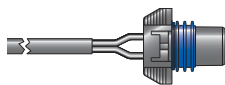


# LEVEL SENSORS

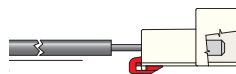


1

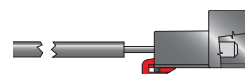
IMG	DESCRIPTION	TYPE	L mm	L <sub>1</sub> mm	L <sub>2</sub> mm	MATERIAL	P/N	M.O.Q.
1	LEVEL SENSOR	C	~ 300	51÷56	80	PP	7050055	720
	LEVEL SENSOR	B	~ 200	71÷76	101	PP	7050056	720
	LEVEL SENSOR	B	~ 200	82,5÷87,5	121	PP	7050072	240
	LEVEL SENSOR	C	~ 300	49÷54	75	PP	7050075	720
	LEVEL SENSOR	A	~ 215	82,5÷87,5	121	PP	7050082	240
	LEVEL SENSOR	C	~ 160	73÷78	97,6	PP	7050093	240
	LEVEL SENSOR	C	~ 210	41÷46	69,6	PP	7050094	240



A

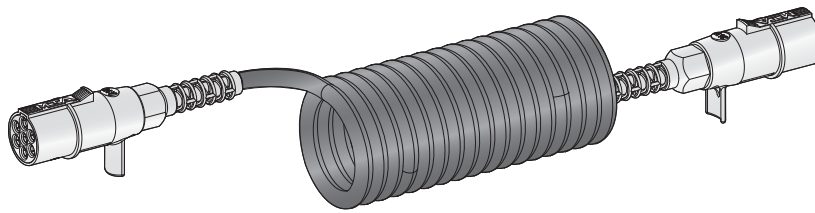


B



C

# SPIRAL CABLE WITH CONNECTORS



1

IMG	DESCRIPTION	SPIRAL COLOUR	MAX LENGTH mm		P/N	M.O.Q.
1	Spiral Cable Volkswagen	■ Black	4200		9815530	10
	Spiral Cable Ford	■ Red	5500		9815540	10

## BRANCHES

MTA Brasil Ltda - infobrazil@mta.it  
MTA Polska Sp. z o.o. - infopoland@mta.it  
MTA Slovakia s.r.o. - infoslovakia@mta.it  
MTA USA Corp. - infousa@mta.it  
MTA India Pvt. Ltd. - infoindia@mta.it



**HEADQUARTERS**  
MTA S.p.A. - Italy

**www.mta.it**  
infoitaly@mta.it

Ref. 9951225



8 010266 117130