



Product Catalogue 2016

Index

FUSES	4
POWER DISTRIBUTION UNITS	24
MAIN DISTRIBUTION UNITS	39
FUSE/RELAY HOLDERS	61
ADAPTERS & FIXING PLATES	79
CONNECTORS	84
BATTERY TERMINALS	115
TERMINALS	125
INSULATED TERMINALS	165
CRIMPING TOOLS	176
CAPS	180
RADIATOR/OIL/GASOLINE CAPS	185
SENSORS	191
CABLES	196
CABLES FIXING	202
SWITCHES	205
SUNDRIES	208

FUSES

FUSES

MINIVAL®



AMP	DESCRIPTION	COLOUR		P/N BLISTER	M.O.Q.	P/N BOX	M.O.Q.	P/N BULK	M.O.Q.
2A	MINIVAL	Grey		0600090	500	0700090	200	0705090	6500
3A	MINIVAL	Violet		0600100	500	0700100	200	0705100	6500
4A	MINIVAL	Pink		0600101	500	0700101	200	0705101	6500
5A	MINIVAL	Beige		0600110	500	0700110	200	0705110	6500
7,5A	MINIVAL	Brown		0600120	500	0700120	200	0705120	6500
10A	MINIVAL	Red		0600130	500	0700130	200	0705130	6500
15A	MINIVAL	Blue		0600140	500	0700140	200	0705140	6500
20A	MINIVAL	Yellow		0600150	500	0700150	200	0705150	6500
25A	MINIVAL	Natural		0600160	500	0700160	200	0705160	6500
30A	MINIVAL	Green		0600170	500	0700170	200	0705170	6500

FUSES

UNIVAL®



AMP	DESCRIPTION	COLOUR		P/N BLISTER	M.O.Q.	P/N BOX	M.O.Q.	P/N BULK	M.O.Q.	P/N BULK	M.O.Q.
1A	UNIVAL	■ Black				0600380	100	0700380	2000		
2A	UNIVAL	■ Grey				0600390	100	0700390	2000		
3A	UNIVAL	■ Violet				0600400	1000	0700300	2000	0710300	6000
4A	UNIVAL	■ Pink				0600401	1000	0700301	2000		
5A	UNIVAL	■ Beige		0600492	200	0600410	1000	0700310	2000	0710310	6000
7,5A	UNIVAL	■ Brown		0600493	200	0600420	1000	0700320	2000	0710320	6000
10A	UNIVAL	■ Red		0600494	200	0600430	1000	0700330	2000	0710330	6000
15A	UNIVAL	■ Blue		0600495	200	0600440	1000	0700340	2000	0710340	6000
20A	UNIVAL	■ Yellow		0600496	200	0600450	1000	0700350	2000	0710350	6000
25A	UNIVAL	□ Natural		0600497	200	0600460	1000	0700360	2000	0710360	6000
30A	UNIVAL	■ Green		0600498	200	0600470	1000	0700370	2000	0710370	6000
40A	UNIVAL	■ Orange				0600375	1000	0700375	2000	0710375	6000

MAXICOMPACT®



AMP	DESCRIPTION	COLOUR		P/N BOX	M.O.Q.	P/N BULK	M.O.Q.
25A	MAXICOMPACT	White		0602925	100	0702925	2000
30A	MAXICOMPACT	Light Green		0602930	100	0702930	2000
35A	MAXICOMPACT	Dark Green		0602935	100	0702935	2000
40A	MAXICOMPACT	Orange		0602940	100	0702940	2000
50A	MAXICOMPACT	Red		0602950	100	0702950	2000
60A	MAXICOMPACT	Blue		0602960	100	0702960	2000

M8COMPACT®



AMP	DESCRIPTION	COLOUR		P/N BOX	M.O.Q.	P/N BULK	M.O.Q.
30A	M8COMPACT	Light Green		0610030	150	0710030	1000
35A	M8COMPACT	Green		0610035	150	0710035	1000
40A	M8COMPACT	Orange		0610040	150	0710040	1000
50A	M8COMPACT	Red		0610050	150	0710050	1000
60A	M8COMPACT	Blue		0610060	150	0710060	1000
70A	M8COMPACT	Brown		0610070	150	0710070	1000
80A	M8COMPACT	Black		0610080	150	0710080	1000

FUSES

MAXIVAL®



AMP	DESCRIPTION	COLOUR		P/N BOX	M.O.Q.	P/N BULK	M.O.Q.
20A	MAXIVAL	Yellow		0600900	100	0700900	1000
30A	MAXIVAL	Green		0600910	100	0700910	1000
40A	MAXIVAL	Orange		0600920	100	0700920	1000
50A	MAXIVAL	Red		0600930	100	0700930	1000
60A	MAXIVAL	Blue		0600940	100	0700940	1000
70A	MAXIVAL	Beige		0600950	100	0700950	1000
80A	MAXIVAL	Natural		0600960	100	0700960	1000
100A	MAXIVAL	Violet		0600970	100	0700970	1000

FUSES

MIDIVAL®



AMP	DESCRIPTION	COLOUR		P/N BLISTER	M.O.Q.	P/N BULK	M.O.Q.
30A	MIDIVAL	Orange		0602030	20	0702030	1500
40A	MIDIVAL	Green		0602040	20	0702040	1500
50A	MIDIVAL	Red		0602050	20	0702050	1500
60A	MIDIVAL	Yellow		0602060	20	0702060	1500
70A	MIDIVAL	Brown		0602070	20	0702070	1500
80A	MIDIVAL	White		0602080	20	0702080	1500
100A	MIDIVAL	Blue		0602100	20	0702100	1500
125A	MIDIVAL	Pink		0602125	20	0702125	1500

MEGACOMPACT®



AMP	DESCRIPTION	COLOUR		P/N BOX	M.O.Q.	P/N BULK	M.O.Q.
80A	MEGACOMPACT	Red		0615080	20	0715080	1000
100A	MEGACOMPACT	Yellow		0615100	20	0715100	1000
125A	MEGACOMPACT	Green		0615125	20	0715125	1000
150A	MEGACOMPACT	Orange		0615150	20	0715150	1000
175A	MEGACOMPACT	White		0615175	20	0715175	1000
200A	MEGACOMPACT	Blue		0615200	20	0715200	1000
225A	MEGACOMPACT	Beige		0615225	20	0715225	1000
250A	MEGACOMPACT	Pink		0615250	20	0715250	1000

MEGAVAL® & POWERVAL®



AMP	DESCRIPTION	COLOUR		P/N BLISTER	M.O.Q.	P/N BULK	M.O.Q.
100A	MEGAVAL	Yellow		0601100	20	0701100	700
125A	MEGAVAL	Green		0601125	20	0701125	700
150A	MEGAVAL	Orange		0601150	20	0701150	700
175A	MEGAVAL	White		0601175	20	0701175	700
200A	MEGAVAL	Blue		0601200	20	0701200	700
225A	MEGAVAL	Beige		0601225	20	0701225	700
250A	MEGAVAL	Pink		0601250	20	0701250	700
300A	MEGAVAL	Grey		0601300	20	0701300	700
400A	MEGAVAL	Violet		0601401	20	0701401	700
500A	MEGAVAL	Brown		0601600	20	0701600	700
CAL.1	POWERVAL	Grey		0601350	20	0701350	700
CAL.2	POWERVAL	Black		0601400	20	0701400	700
CAL.3	POWERVAL	Red		0601450	20	0701450	700
CAL.4	POWERVAL	Brown		0601500	20	0701500	700
CAL.5	POWERVAL	Wheat Grey		0601700	1	0701700	700

FUSES

JAPVAL®



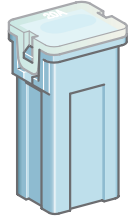
1



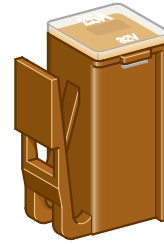
2

IMG	AMP	DESCRIPTION	COLOUR		P/N BLISTER	M.O.Q.	P/N BULK	M.O.Q.
1	15A	MICRO FEMALE 10	Grey		0404015	20	0404016	500
	20A	MICRO FEMALE 10	Azure		0404020	20	0404021	500
	25A	MICRO FEMALE 10	White		0404025	20	0404026	500
	30A	MICRO FEMALE 10	Pink		0404030	20	0404031	500
	40A	MICRO FEMALE 10	Green		0404040	20	0404041	500
2	20A	MICRO FEMALE 14	Azure		0424020	20	0424021	500
	25A	MICRO FEMALE 14	White		0424025	20	0424026	500
	30A	MICRO FEMALE 14	Pink		0424030	20	0424031	500
	40A	MICRO FEMALE 14	Green		0424040	20	0424041	500
	50A	MICRO FEMALE 14	Red		0424050	20	0424051	500
	60A	MICRO FEMALE 14	Yellow		0424060	20	0424061	500

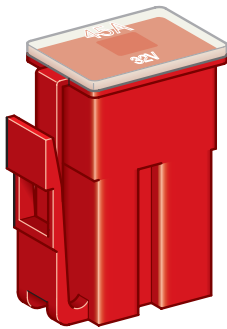
JAPVAL®



1



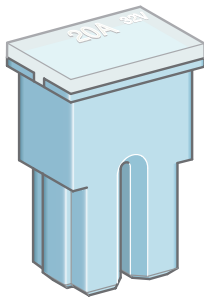
2



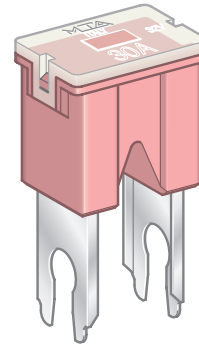
3

IMG	AMP	DESCRIPTION	COLOUR		P/N BLISTER	M.O.Q.	P/N BULK	M.O.Q.
1	20A	MINI FEMALE 14	Azure		0474020	20	0474021	500
	30A	MINI FEMALE 14	Pink		0474030	20	0474031	500
	40A	MINI FEMALE 14	Green		0474040	20	0474041	500
	50A	MINI FEMALE 14	Red		0474050	20	0474051	500
	60A	MINI FEMALE 14	Yellow		0474060	20	0474061	500
	70A	MINI FEMALE 14	Brown		0474070	20	0474071	500
	80A	MINI FEMALE 14	Black		0474080	20	0474081	500
	2	25A	MINI CLIP	Brown		0476025	20	0476026
30A		MINI CLIP	Green		0476030	20	0476031	500
3	45A	CLIP	Red		0477045	20	0477046	500
	65A	CLIP	Black		0477065	20	0477066	500
	75A	CLIP	Grey		0477075	20	0477076	500

JAPVAL®



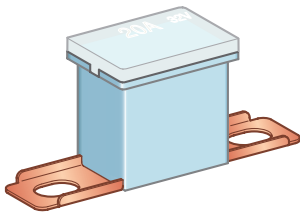
1



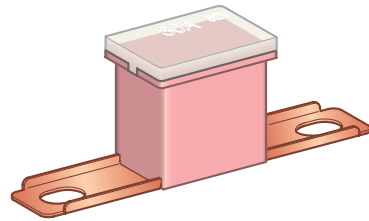
2

IMG	AMP	DESCRIPTION	COLOUR		P/N BLISTER	M.O.Q.	P/N BULK	M.O.Q.
1	20A	FEMALE	Azure		0470020	20	0470021	500
	30A	FEMALE	Pink		0470030	20	0470031	500
	40A	FEMALE	Green		0470040	20	0470041	500
	50A	FEMALE	Red		0470050	20	0470051	500
	60A	FEMALE	Yellow		0470060	20	0470061	500
	80A	FEMALE	Black		0470080	20	0470081	500
	100A	FEMALE	Blue		0470100	20	0470101	500
2	30A	MALE	Pink		0471030	20	0471031	500
	40A	MALE	Green		0471040	20	0471041	500
	50A	MALE	Red		0471050	20	0471051	500
	60A	MALE	Yellow		0471060	20	0471061	500
	80A	MALE	Black		0471080	20	0471081	500
		100A	MALE	Blue		0471100	20	0471101

JAPVAL®



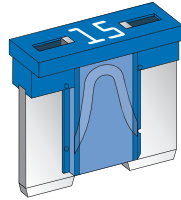
1



2

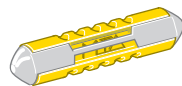
IMG	AMP	DESCRIPTION	COLOUR		P/N BLISTER	M.O.Q.	P/N BULK	M.O.Q.	
1	20A	MALE 48	Azure		0475020	20	0475021	500	
	30A	MALE 48	Pink		0475030	20	0475031	500	
	40A	MALE 48	Green		0475040	20	0475041	500	
	50A	MALE 48	Red		0475050	20	0475051	500	
	60A	MALE 48	Yellow		0475060	20	0475061	500	
	70A	MALE 48	Brown		0475070	20	0475071	500	
	80A	MALE 48	Black		0475080	20	0475081	500	
	100A	MALE 48	Blue		0475100	20	0475101	500	
	2	30A	MALE 62	Pink		0472030	20	0472031	500
		40A	MALE 62	Green		0472040	20	0472041	500
50A		MALE 62	Red		0472050	20	0472051	500	
60A		MALE 62	Yellow		0472060	20	0472061	500	
80A		MALE 62	Black		0472080	20	0472081	500	
100A		MALE 62	Blue		0472100	20	0472101	500	

MINI LOW PROFILE



AMP	DESCRIPTION	COLOUR		P/N BLISTER	M.O.Q.	P/N BULK	M.O.Q.
2A	MINI LOW PROFILE	Grey		0600210	200	0700210	200
3A	MINI LOW PROFILE	Violet		0600220	200	0700220	200
4A	MINI LOW PROFILE	Pink		0600230	200	0700230	200
5A	MINI LOW PROFILE	Beige		0600240	200	0700240	200
7,5A	MINI LOW PROFILE	Brown		0600250	200	0700250	200
10A	MINI LOW PROFILE	Red		0600260	200	0700260	200
15A	MINI LOW PROFILE	Blue		0600270	200	0700270	200
20A	MINI LOW PROFILE	Yellow		0600280	200	0700280	200
25A	MINI LOW PROFILE	Natural		0600290	200	0700290	200
30A	MINI LOW PROFILE	Green		0600302	200	0700302	200

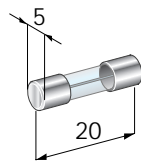
CONTINENTAL



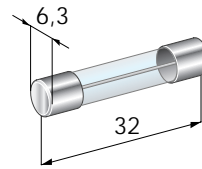
AMP	DESCRIPTION	COLOUR		P/N BOX	M.O.Q.	P/N BULK	M.O.Q.
5A	FIAT 9.91806	Yellow		0200140	100	0300140	5000
8A	FIAT 9.91806	Black		0200150	100	0300150	5000
16A	FIAT 9.91806	Green		0200170	100	0300170	5000
25A	FIAT 9.91806	Brown		0200180	100	0300180	5000
5A	DIN 72581	Yellow		0200140	100	0300140	5000
8A	DIN 72581	White		0200151	100	0300151	5000
16A	DIN 72581	Red		0200171	100	0300171	5000
25A	DIN 72581	Blue		0200181	100	0300181	5000
5A	BNA 709	Violet		0200142	100	0300142	5000
8A	BNA 709	Blue		0200149	100	0300149	5000
10A	BNA 709	Green		0200152	100	0300152	5000
16A	BNA 709	Yellow		0200172	100	0300172	5000
25A	BNA 709	Red		0200182	100	0300182	5000

FUSES

GLASS



1

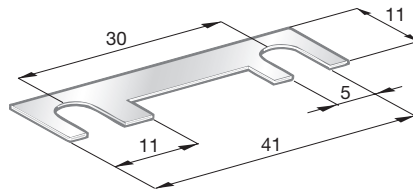


2

IMG	AMP	DESCRIPTION	P/N BOX	M.O.Q.	P/N BULK	M.O.Q.
1	500MA	GLASS FUSE 5X20	0430300	50		
	1A	GLASS FUSE 5X20	0430400	50	0530400	1000
	2A	GLASS FUSE 5X20	0430500	50	0530500	1000
	3A	GLASS FUSE 5X20	0430600	50	0530600	1000
	4A	GLASS FUSE 5X20	0430700	50		
	5A	GLASS FUSE 5X20	0430800	50	0530800	1000
	6A	GLASS FUSE 5X20	0430900	50		
	8A	GLASS FUSE 5X20	0431000	50		
	10A	GLASS FUSE 5X20	0431100	50	0531100	1000
	15A	GLASS FUSE 5X20	0431300	50		
20A	GLASS FUSE 5X20	0431400	50			
2	2A	GLASS FUSE 6,3X32	0433200	50	0533200	1000
	3A	GLASS FUSE 6,3X32	0433300	50		
	5A	GLASS FUSE 6,3X32	0433400	50	0533400	1000
	7,5A	GLASS FUSE 6,3X32	0433450	50		
	10A	GLASS FUSE 6,3X32	0433500	50	0533500	1000
	15A	GLASS FUSE 6,3X32	0433600	50	0533600	1000
	20A	GLASS FUSE 6,3X32	0433700	50	0533700	1000
	25A	GLASS FUSE 6,3X32	0433800	50	0533800	1000
	30A	GLASS FUSE 6,3X32	0433850	50	0533850	1000
	35A	GLASS FUSE 6,3X32	0433900	50	0533900	1000

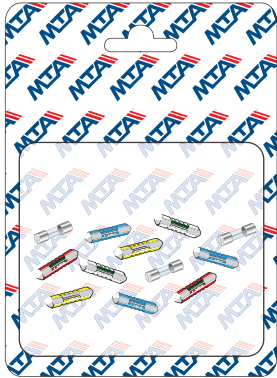
FUSES

STRIP

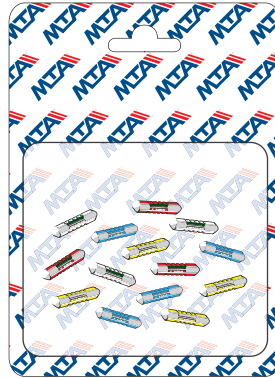


AMP	DESCRIPTION	P/N BOX	M.O.Q.
30A	STRIP FUSE	0200296	100
40A	STRIP FUSE	0200300	100
50A	STRIP FUSE	0200297	100
60A	STRIP FUSE	0200301	100
80A	STRIP FUSE	0200298	100
100A	STRIP FUSE	0200299	100

ASSORTMENT



1



2



3

IMG	DESCRIPTION	P/N BLISTER	M.O.Q.
1	CONTINENTAL FUSE DIN 72581 5A (1 PCS), 8A (4 PCS), 16A (3 PCS), 25A (1 PCS), GLASS FUSE 5x20 2A (1 PCS)	0200127	20
2	CONTINENTAL FUSE DIN 72581 5A (2 PCS), 8A (8 PCS), 16A (6 PCS), 25A (4 PCS)	0200138	20
3	GLASS FUSE 5x20 2A (1 PCS), 6,3x32 10A (2 PCS), 6,3x32 15A (2 PCS), 6,3x32 25A (1 PCS)	0435800	20

ASSORTMENT



1



2



3



4

IMG	DESCRIPTION	P/N BLISTER	M.O.Q.
1	10 UNIVAL FUSES 3A (1 PCS), 5A (1 PCS), 7,5A (1 PCS), 10A (2 PCS), 15A (1 PCS), 20A (2 PCS), 25A (1 PCS), 30A (1 PCS)	0600418	20
2	8 UNIVAL FUSES 3A (1 PCS), 5A (1 PCS), 7,5A (1 PCS), 10A (1 PCS), 15A (1 PCS), 20A (1 PCS), 25A (1 PCS), 30A (1 PCS)	0600407	50
3	10 UNIVAL FUSES 3A (1 PCS), 5A (1 PCS), 7,5A (1 PCS), 10A (2 PCS), 15A (1 PCS), 20A (2 PCS), 25A (1 PCS), 30A (1 PCS)	0600408	50
4	6 MINIVAL FUSES 3A (1 PCS), 5A (1 PCS), 10A (1 PCS), 15A (1 PCS), 20A (1 PCS), 30A (1 PCS)	3004000	50

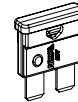
ASSORTMENT



80 MINIVAL



80 UNIVAL



160 UNIVAL



1



2

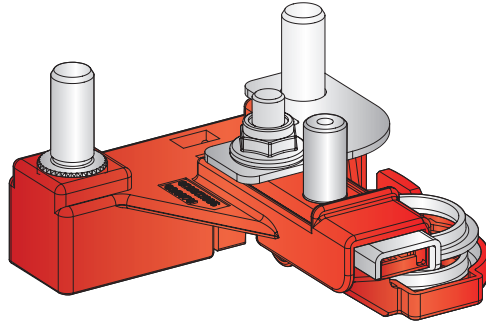


3

IMG	DESCRIPTION	P/N BOX	M.O.Q.
1	ASSORTMENT BOX 80 MINIVAL FUSES 2A (10 PCS), 3A (3 PCS), 4A (10 PCS), 5A (3 PCS), 7,5A (10 PCS), 10A (10 PCS), 15A (10 PCS), 20A (10 PCS), 25A (4 PCS), 30A (10 PCS)	0600010	1
2	ASSORTMENT BOX 80 UNIVAL FUSES 4A (10 PCS), 5A (10 PCS), 7,5A (10 PCS), 10A (10 PCS), 15A (10 PCS), 20A (10 PCS), 25A (10 PCS), 30A (10 PCS)	0650015	1
3	ASSORTMENT BOX 160 UNIVAL FUSES 4A (20 PCS), 5A (20 PCS), 7,5A (20 PCS), 10A (20 PCS), 15A (20 PCS), 20A (20 PCS), 25A (20 PCS), 30A (20 PCS)	0650016	1

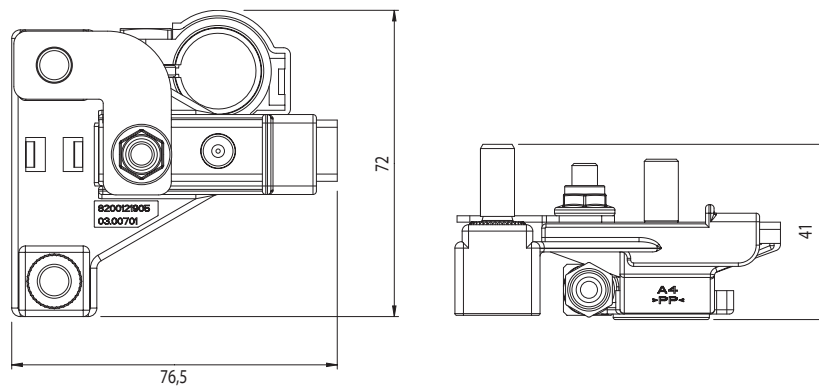
POWER DISTRIBUTION UNITS

CBA X73



1

IMG	DESCRIPTION	P/N	M.O.Q.
1	PRE-MOUNTED HOUSING FOR 1 POWER/MEGAVAL WITH BATTERY TERMINAL	0100703	1



CONNECTIONS AND FIXINGS



1608180
1608190

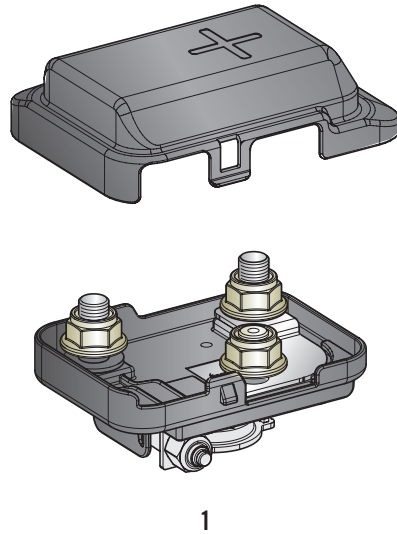


1708110
1708120

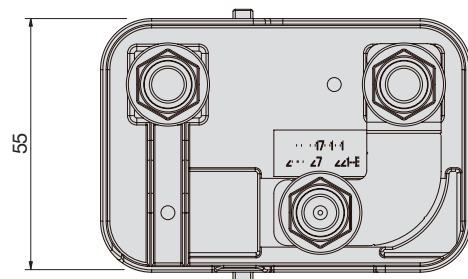
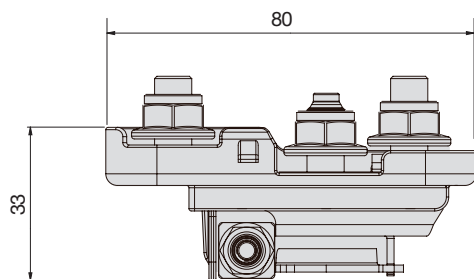


1608196

CBA J81 L4



IMG	DESCRIPTION	P/N	M.O.Q.
1	PRE MOUNTED HOUSING FOR 1 MEGA/POWERVAL WITH COVER AND BATTERY TERMINAL	0101703	1

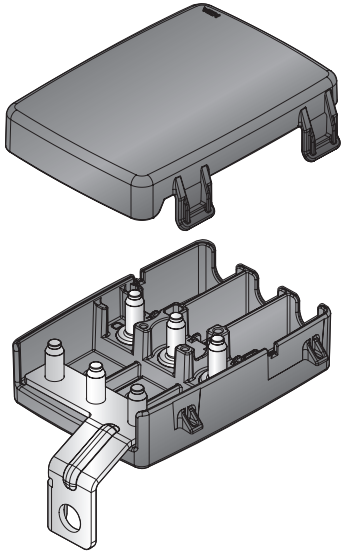


CONNECTIONS AND FIXINGS

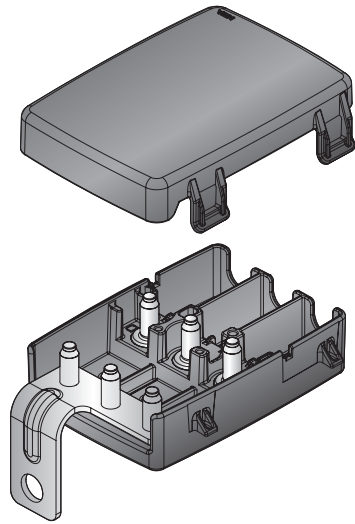


CBA J81 L4

3 - WAY MIDIVAL®

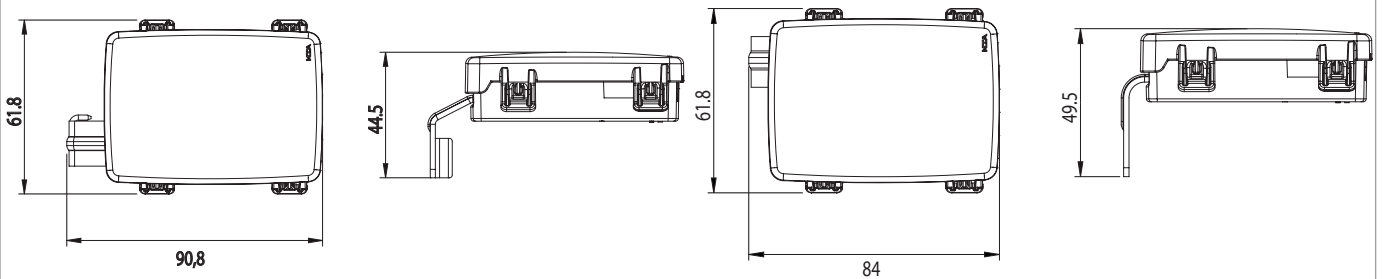


1



2

IMG	DESCRIPTION	P/N	M.O.Q.
1	PRE MOUNTED HOUSING DX FOR 3 MIDIVAL WITH COVER AND BUS BAR	0300442	1
2	PRE MOUNTED HOUSING SX FOR 3 MIDIVAL WITH COVER AND BUS BAR	0300468	1



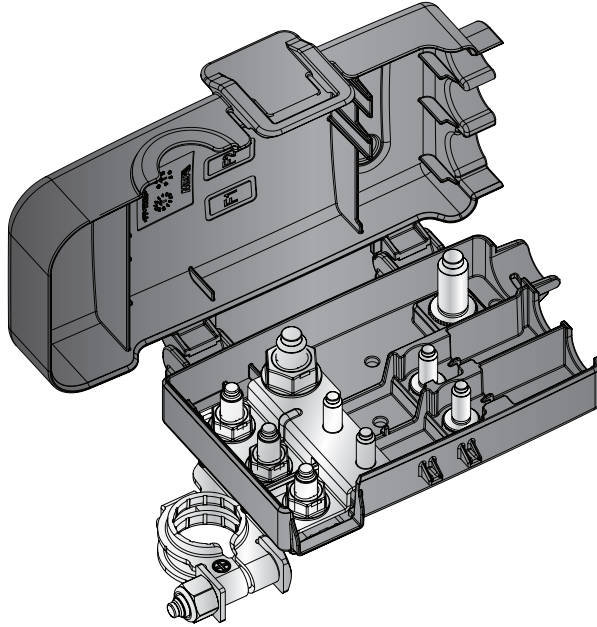
CONNECTIONS AND FIXINGS



MIDI
POL A,B,D

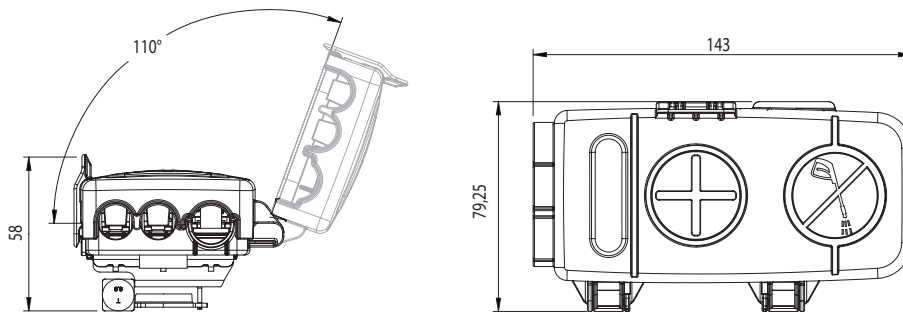
IMG 1-2

CDB



1

IMG	DESCRIPTION	P/N	M.O.Q.
1	PRE MOUNTED HOUSING FOR 2 MIDIVAL AND 1 CAL/MEGAVAL WITH BATTERY TERMINAL	0300839	20



CONNECTIONS AND FIXINGS

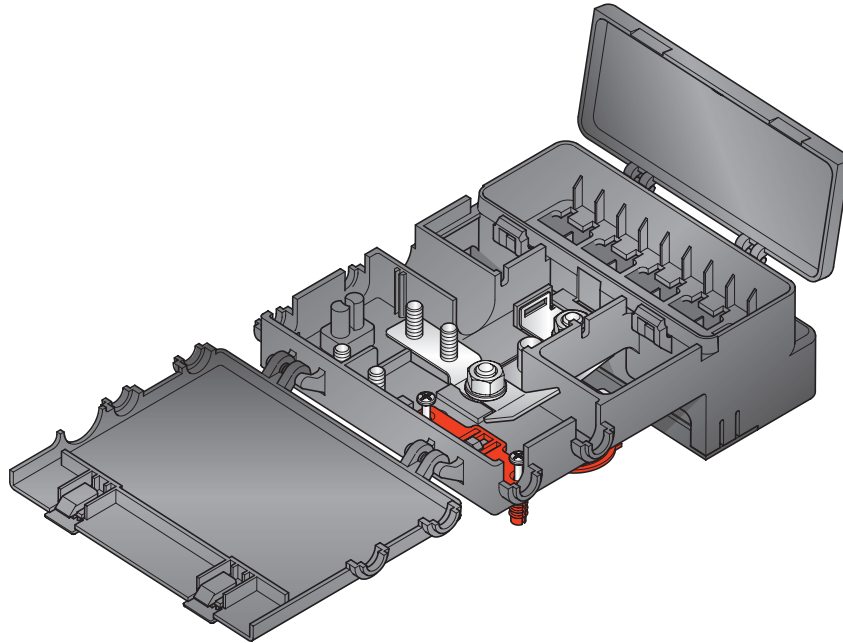


MIDI
POL A,B



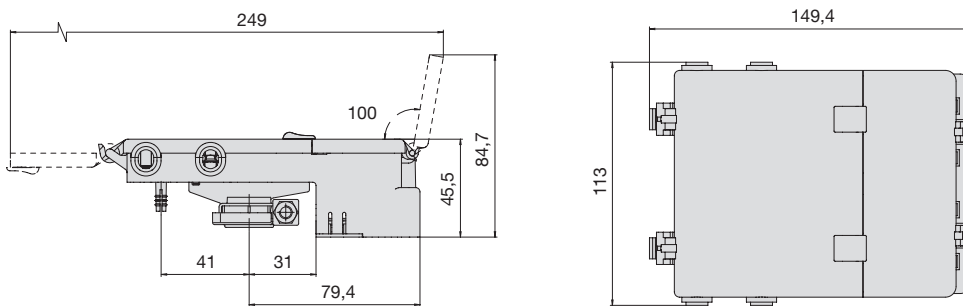
MEGA

LINK BATT

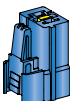


1

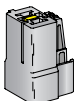
IMG	DESCRIPTION	P/N	M.O.Q.
1	PRE MOUNTED HOUSING FOR 8 MAXIVAL AND 2 MIDIVAL	0100710	1



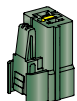
CONNECTIONS AND FIXINGS



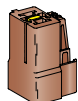
4540315



4540345



4540325



4540335



4545100

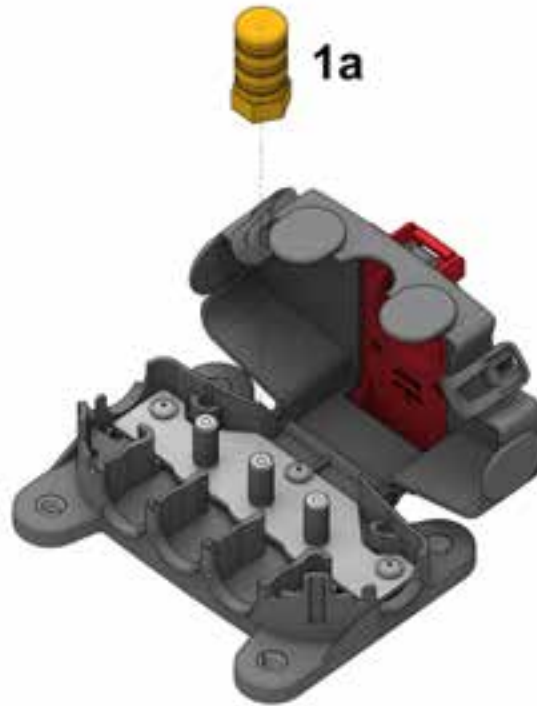


MIDI



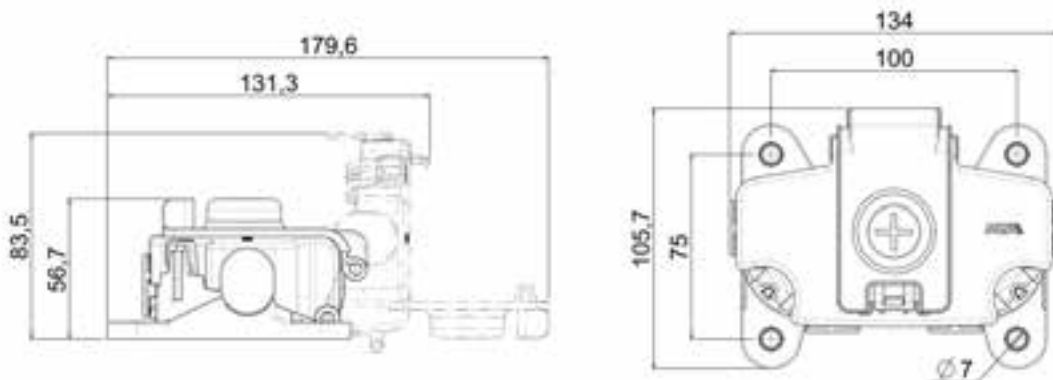
SQR-A

JUMP START



1

IMG	DESCRIPTION	P/N BULK	M.O.Q.
1	JUMP START NODE	4541203	60
1a	JUMP START PLUG FOR POWER DISTRIBUTION	4541204	200



CONNECTIONS AND FIXINGS



TUBOLAR M8

MIDIVAL®-MEGACOMPACT®-MEGAVAL®HOLDER



1



2

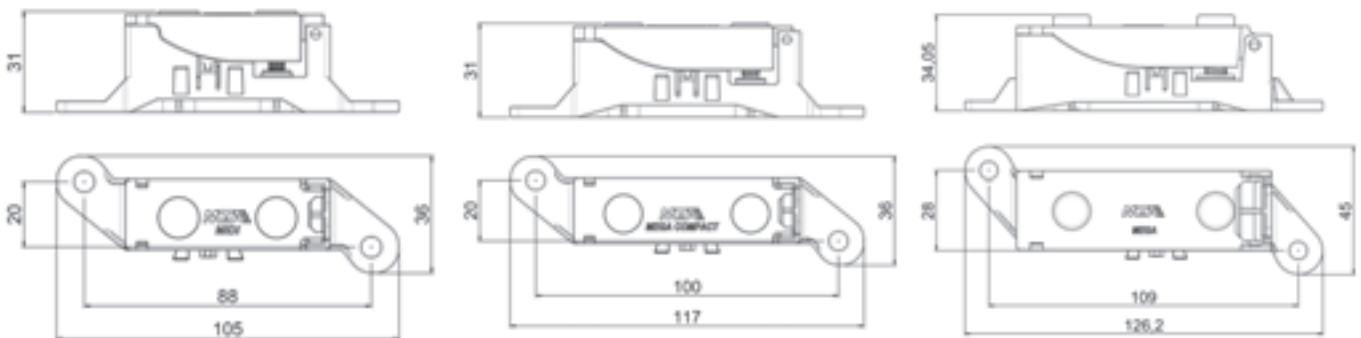


3



EXAMPLE OF A MULTIPLE FUSE BLOCK

IMG	DESCRIPTION	WAY	MATERIAL	COLOUR	P/N BOX	M.O.Q.	P/N BULK	M.O.Q.
1	MIDIVAL HOLDER	1	PA66 GF30	Black	0101499	20	0301499	2000
2	MEGACOMPACT HOLDER	1	PA66 GF30	Black	0101497	20	0301497	2000
3	MEGAVAL HOLDER	1	PA66 GF30	Black	0101498	20	0301498	2000



CONNECTIONS AND FIXINGS



MIDI M5



RING STL37



TUBULAR



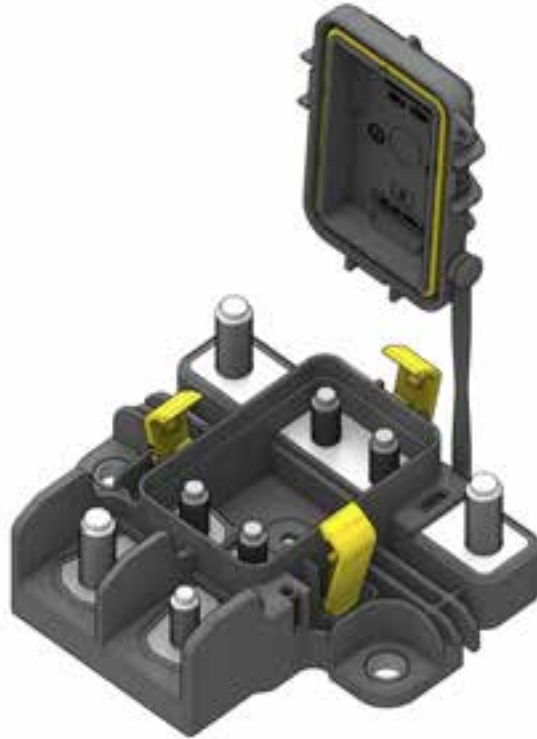
MEGA M8
POLA



MEGA M8
POLB

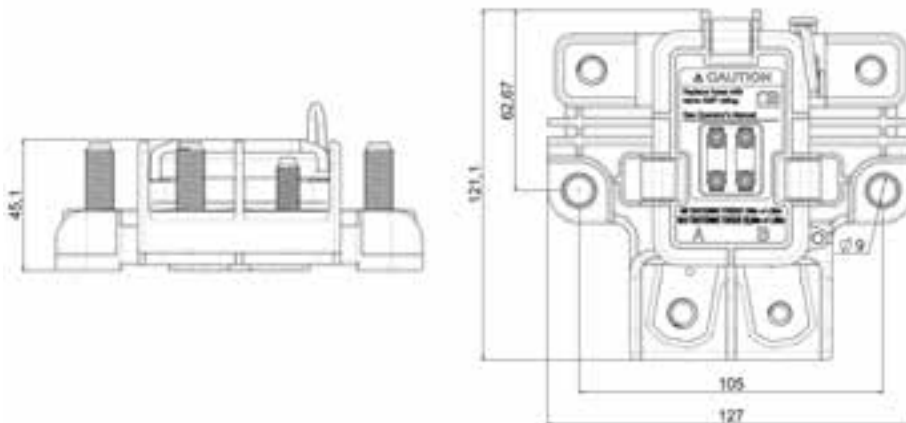
IMG	1	2	2+3	3	3
-----	---	---	-----	---	---

PDU 2M



1

IMG	DESCRIPTION	P/N	M.O.Q.
1	PRE MOUNTED HOUSING FOR 2 MEGAVAL WITH COVER	0301887	1

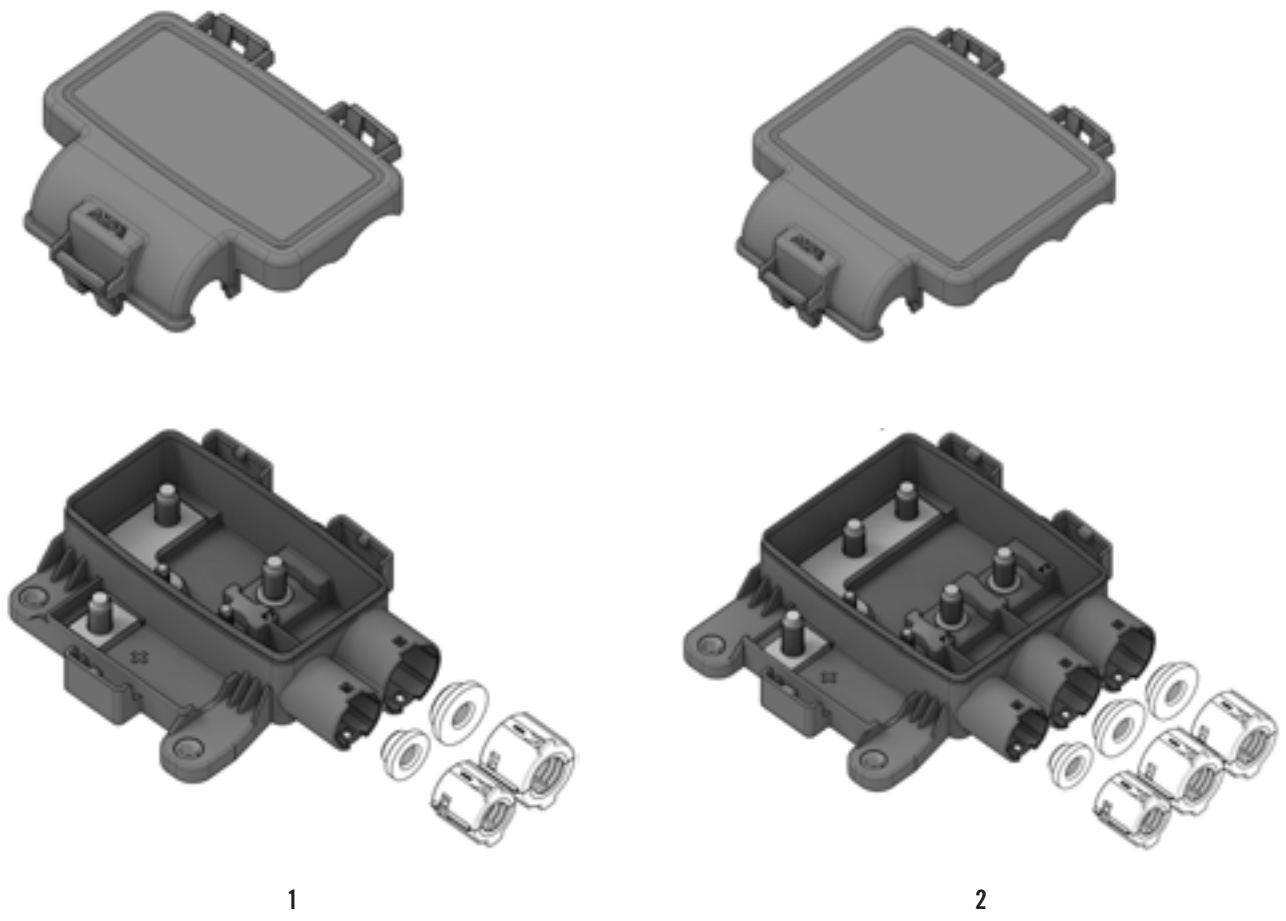


CONNECTIONS AND FIXINGS

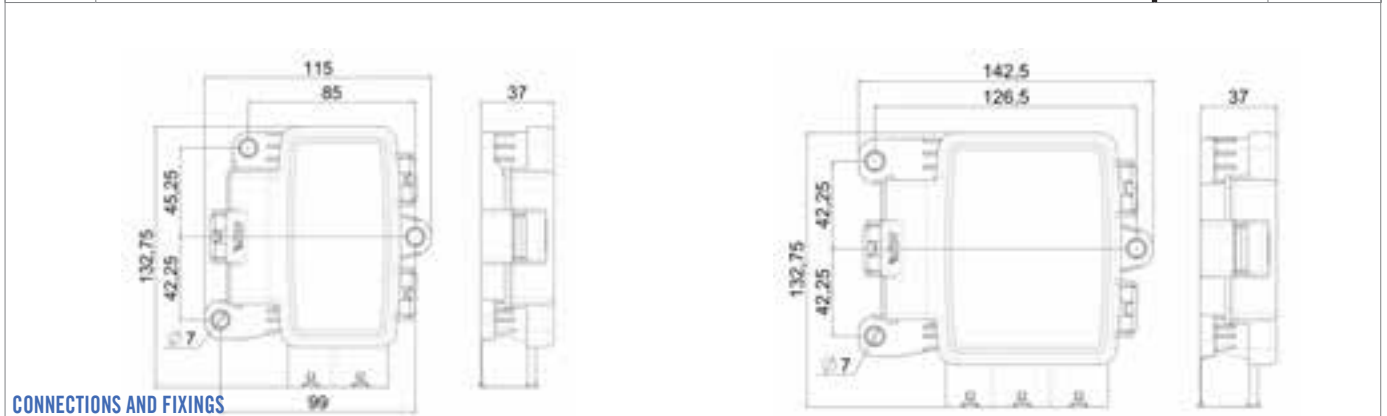


TUBULAR

2, 3 - WAY WATER PROOF PDU



IMG	DESCRIPTION	P/N BOX	M.O.Q.
1	PRE MOUNTED HOUSING FOR 1 MIDIVAL AND 1 MEGAVAL WITH COVER	0301053	20
2	PRE MOUNTED HOUSING FOR 1 MIDIVAL AND 2 MEGAVAL WITH COVER	0301045	20



CONNECTIONS AND FIXINGS

TUBULAR	MIDI M5 POLA	MEGA M8 PDL A	MEGA M8 PDL B	1607510	GASKET	TUBE RETAINER
IMG	1+2	1+2	1+2	2	1+2	1+2

RETAINER & GASKETS



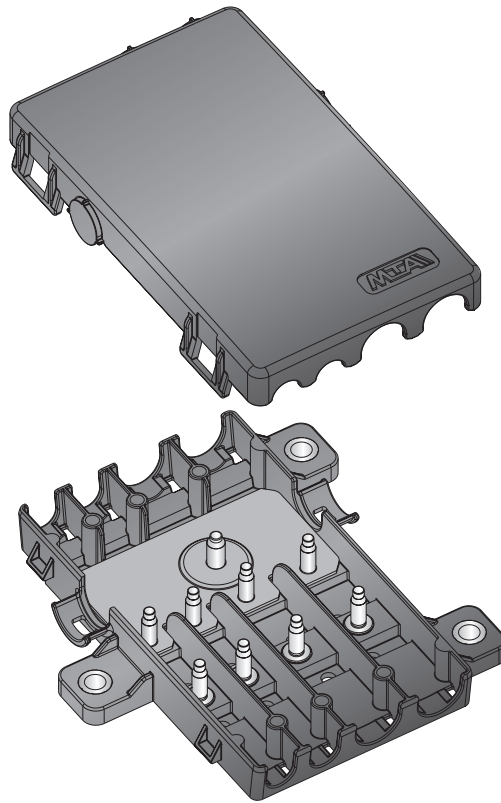
1



2

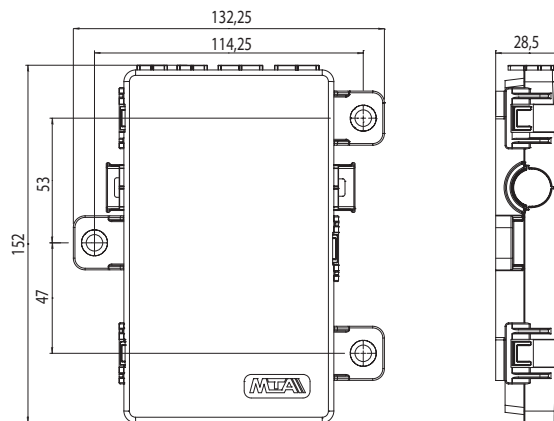
IMG	DESCRIPTION	MATERIAL	COLOUR	D	d	P/N BULK	M.O.Q.
1	TUBE RETAINER	PBT	Black	19,6	6	0300454	200
	TUBE RETAINER	PBT	Black	19,6	8	0300452	200
	TUBE RETAINER	PBT	Black	19,6	11,4	0300465	200
	TUBE RETAINER	PBT	Black	24,6	12,8	0300455	200
	TUBE RETAINER	PBT	Black	24,6	14,3	0300464	200
	TUBE RETAINER	PBT	Black	24,6	15,2	0300577	200
2	GASKET	SILICON	Green	18	2	0300456	200
	GASKET	SILICON	Blue	18	3,7	0300457	200
	GASKET	SILICON	Yellow	18	6	0300463	200
	GASKET	SILICON	Red	18	8	0300458	200
	CAVITY PLUG	SILICON	Natural	18	-	0300459	200
	GASKET	SILICON	Yellow	23	8	0300460	200
	GASKET	SILICON	Green	23	10	0300558	200

4 - WAY MIDIVAL®



1

IMG	DESCRIPTION	P/N BOX	M.O.Q.
1	PRE MOUNTED HOUSING FOR 4 MIDIVAL WITH COVER, BUS BAR AND SELF LOCKING NUTS	0300552	1



CONNECTIONS AND FIXINGS

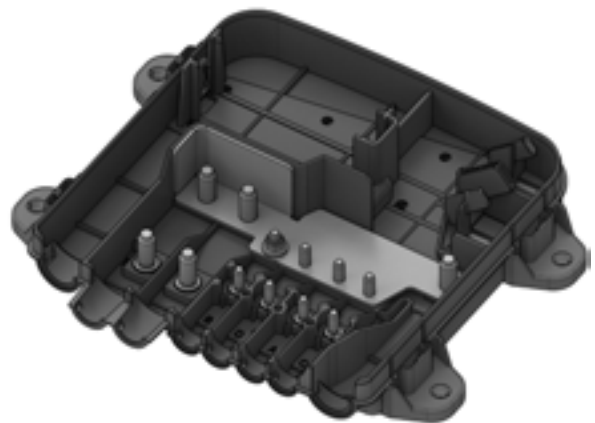
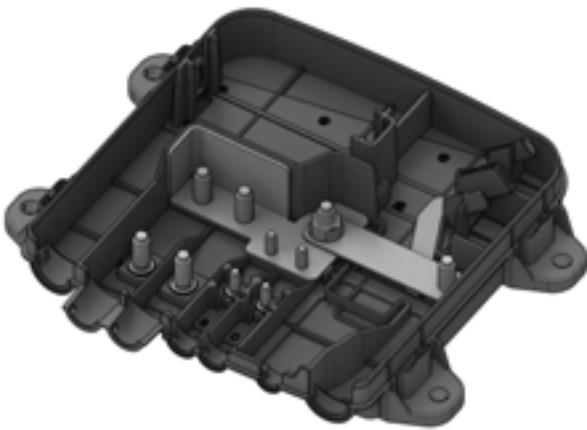
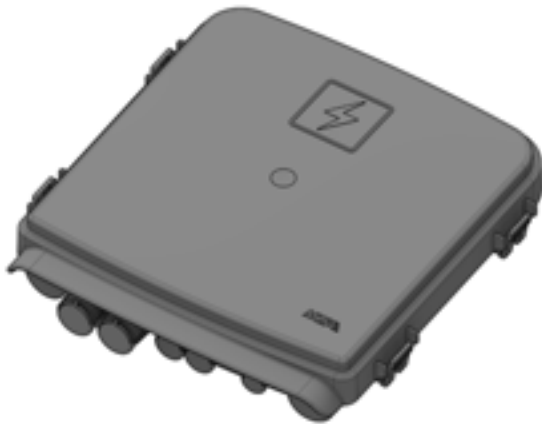


1708250



1708246

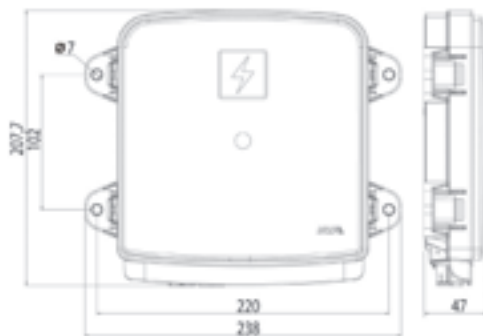
SPLASH PROOF CONFIGURABLE PDU



1

2

IMG	DESCRIPTION	P/N	M.O.Q.
1	PRE MOUNTED HOUSING FOR 2 MEGA/POWERVAL + 2 MIDIVAL W/ COVER AND BUS BAR. CAN ACCOMODATE ELECTRONIC BDS	0301865	1
2	PRE MOUNTED HOUSING FOR 4 MIDIVAL + 2 MEGAVAL + 5 MINIVAL WITH COVER AND BUS BAR	0301873	1
THESE PDU CAN ACCOMODATE ANY FUSE/RELAY MODULE			



CONNECTIONS AND FIXINGS



MIDI
POL A,B



MIDI
POL A,B,C,D



TUBULAR M8



MUDULES



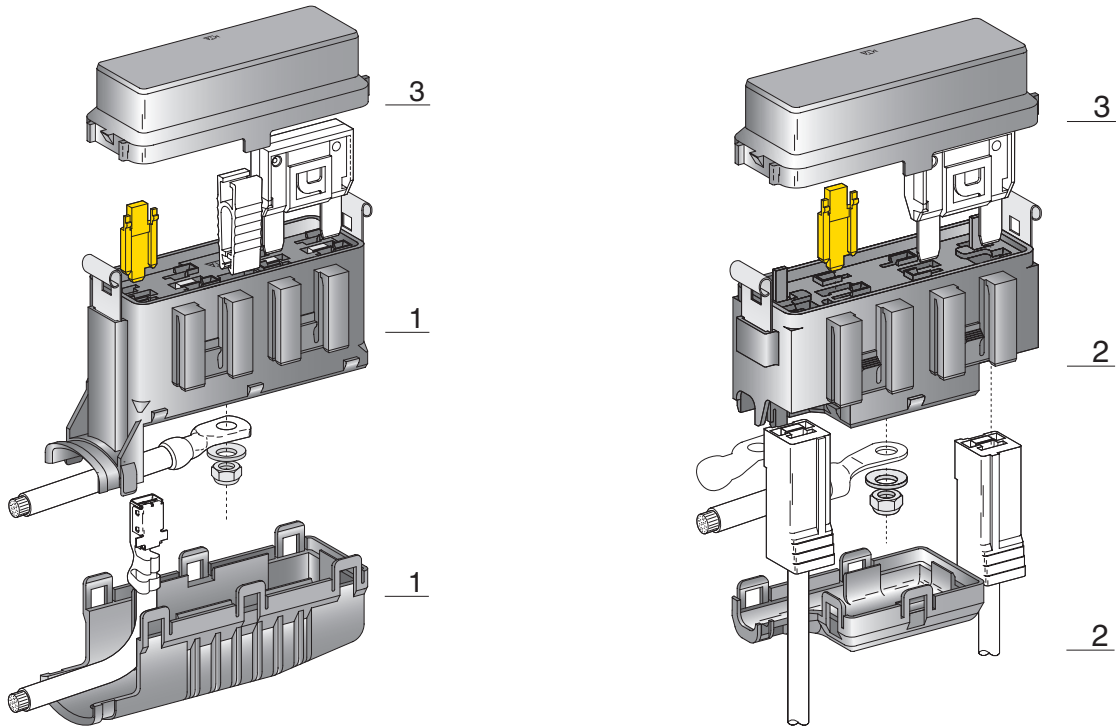
SML



F280

IMG	1+2	2	1+2	1+2	1+2	1+2
-----	-----	---	-----	-----	-----	-----

LINK BOX



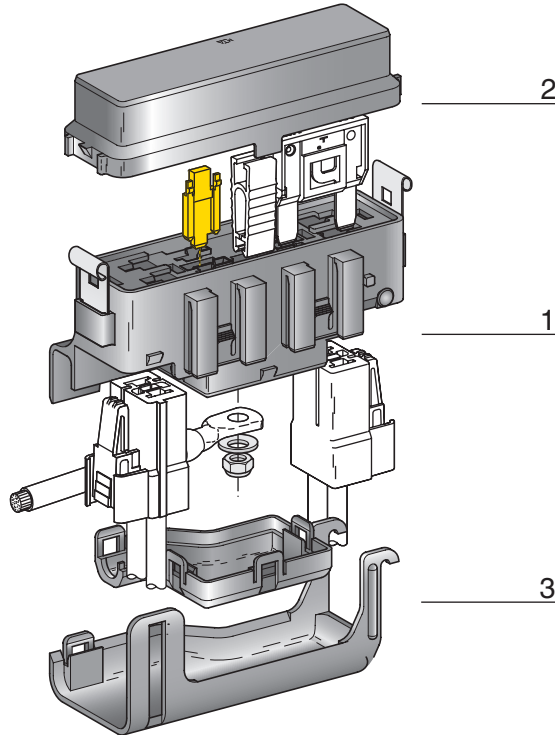
IMG	DESCRIPTION	WAY	MATERIAL	COLOUR	P/N KIT WITH COVER AND TERMINALS	M.O.Q.	P/N BULK	M.O.Q.
1	HOUSING + BOTTOM COVER + S.LOCK + NUT	4	PA66 GF25 PA66	■ Black	0100500	5	0300500	200
2	HOUSING +CONNECTORS BOTTOM COVER + S.LOCK + NUT	2	PA66 GF25 PA66	■ Black	0100900	10	0300900	200
3	COVER WITH GASKET		PA66 GF25	■ Black			0300950	200



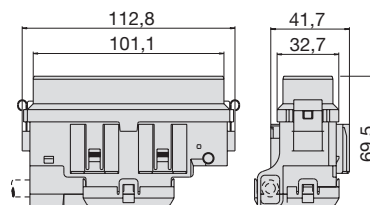
CONNECTIONS AND FIXINGS

0300949	0300851	0300690	0300691	F800	1605000	GND L32 M6	4540145	4540135	4545100
IMG	1+2	1+2	1+2	1+2	1	2	2	2	2

LINK BOX



IMG	DESCRIPTION	WAY	MATERIAL	COLOUR	P/N KIT WITH COVER AND TERMINALS	M.O.Q.	P/N BULK	M.O.Q.
1	HOUSING + BOTTOM COVER + S.LOCK + NUT	4	PA66 GF25 PA66	■ Black	0100800	5	0300800	150
2	UPPER COVER WITH GASKET		PA66 GF25	■ Black			0300850	150
3	WIRE'S COVER		PA66	■ Black			0300849	400



CONNECTIONS AND FIXINGS



0300949



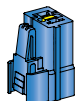
0300691



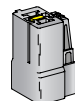
F800



1605000



4540315



4540345



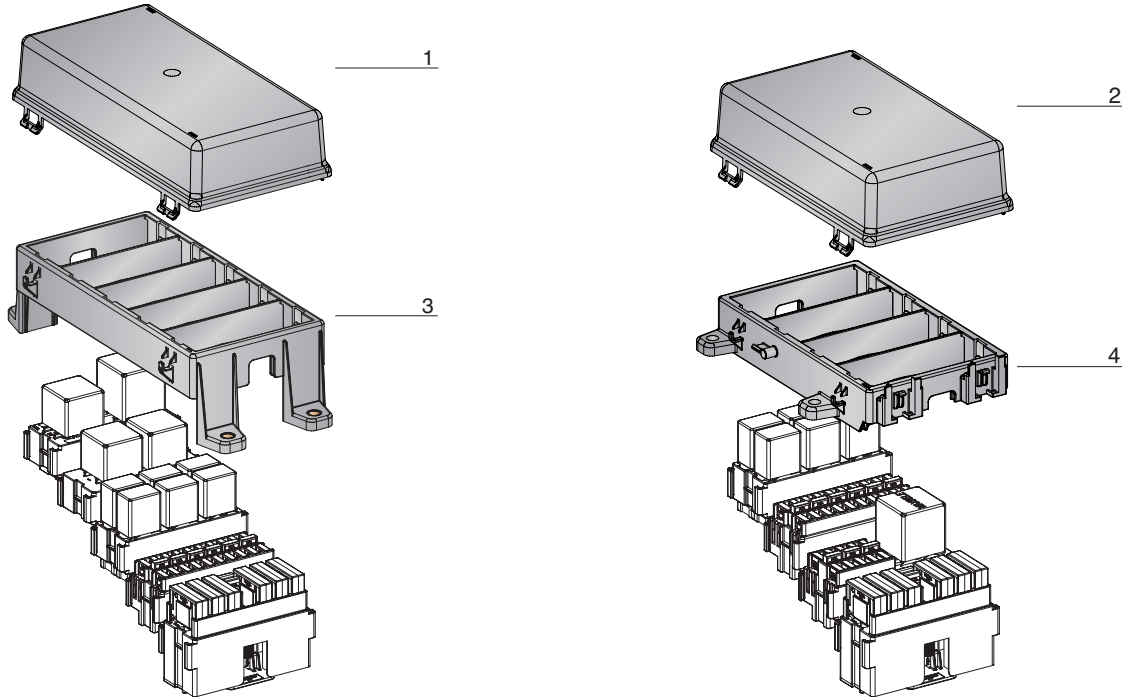
0300851



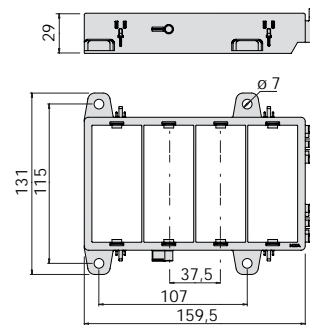
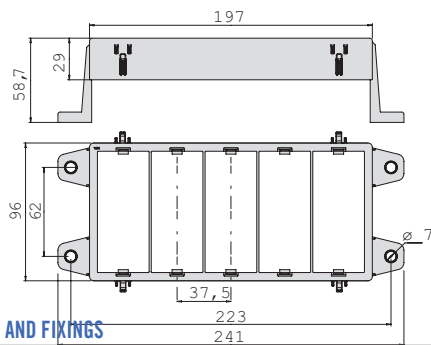
4545100

MAIN DISTRIBUTION UNITS

FRAMES, BRACKETS & COVERS



IMG	DESCRIPTION	WAY	MATERIAL	COLOUR		P/N BOX	M.O.Q.	P/N BULK	M.O.Q.
1	COVER	5	PP GF30	Grey		0101540	1	0301540	48
2	COVER	4	PP GF30	Grey		0101530	1	0301530	63
3	FRAME	5	PP GF30	Grey		0101450	1	0301450	85
4	FRAME	4	PP GF30	Grey		0101520	1	0301520	63



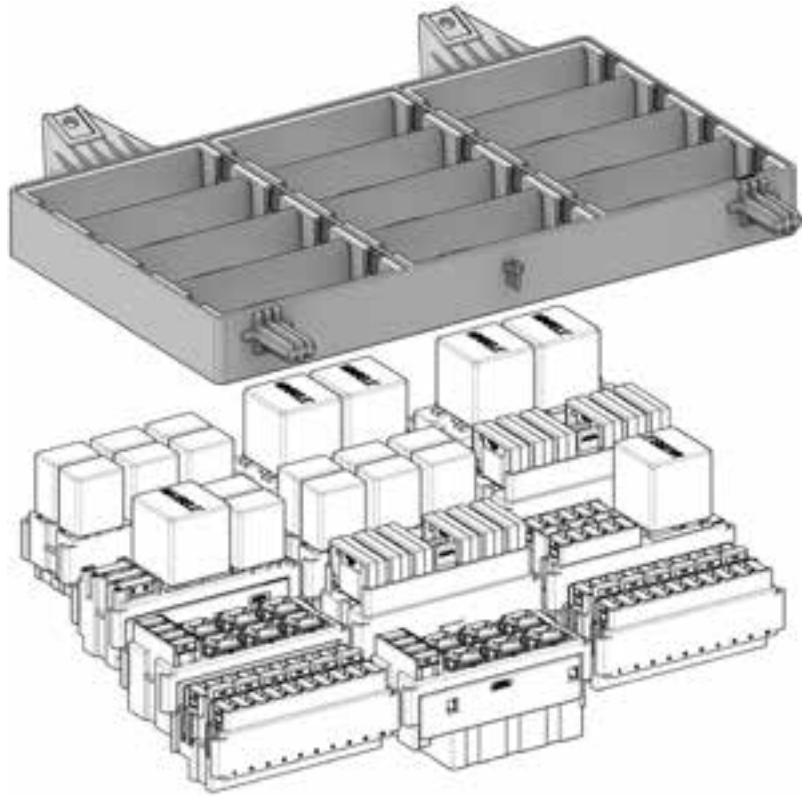
CONNECTIONS AND FIXINGS



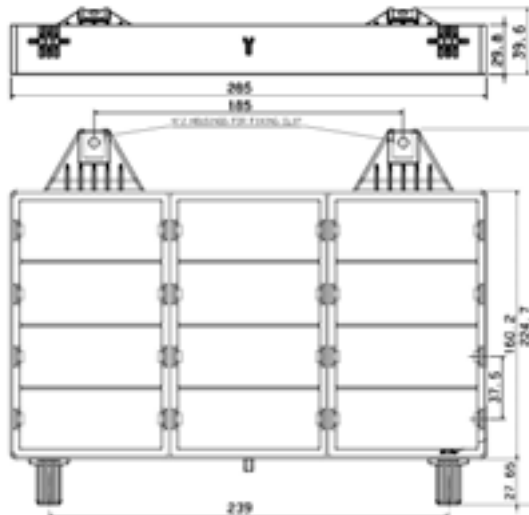
0301630

IMG 3+4

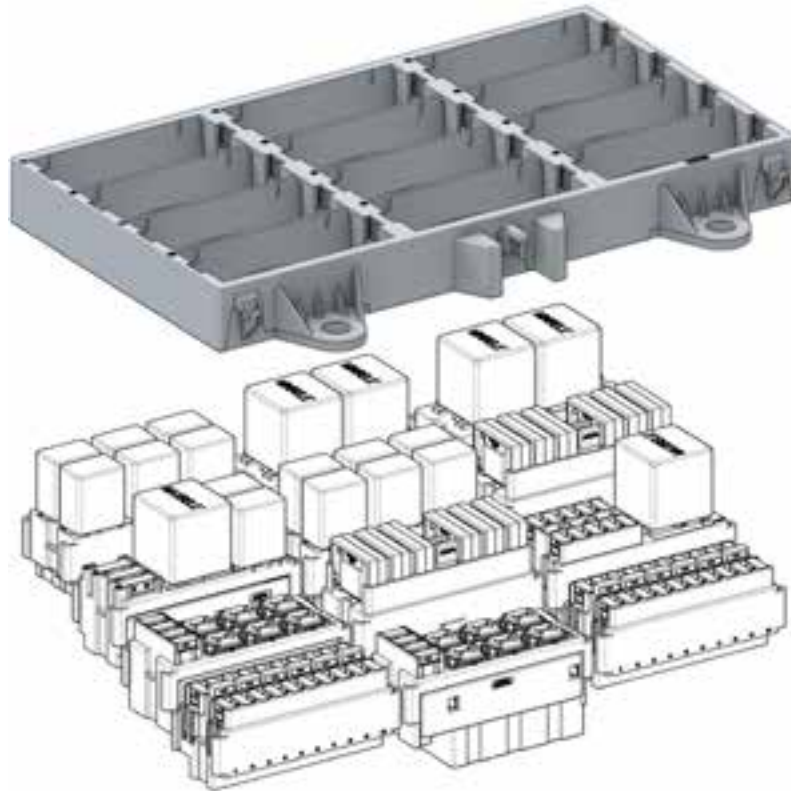
FRAMES, BRACKETS & COVERS



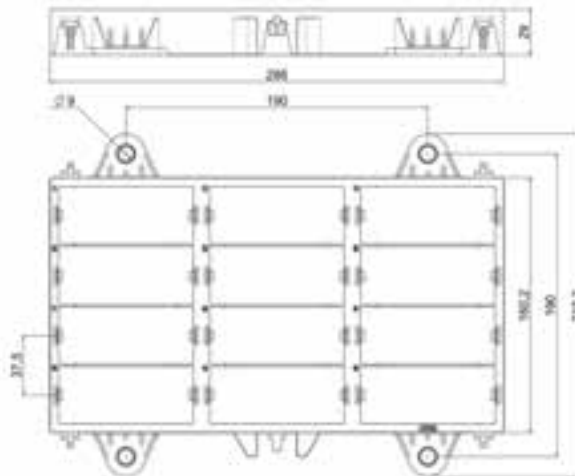
IMG	DESCRIPTION	WAY	MATERIAL	COLOUR		P/N BOX	M.O.Q.	P/N BULK	M.O.Q.
1	FRAME Y1	12	PP GF30	Grey		0101680	1	0301680	104



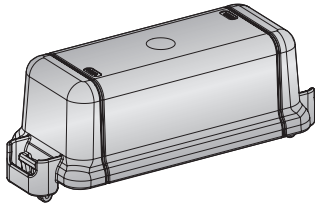
FRAMES, BRACKETS & COVERS



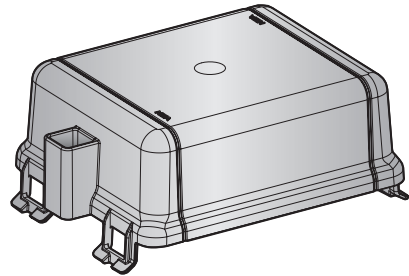
IMG	DESCRIPTION	WAY	MATERIAL	COLOUR		P/N BOX	M.O.Q.	P/N BULK	M.O.Q.
1	FRAME Y2	12	PP GF30	Grey		0101681	1	0301681	104



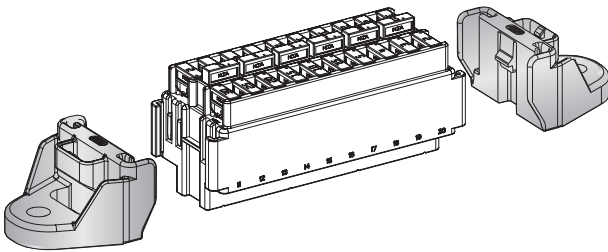
FRAMES, BRACKETS & COVERS



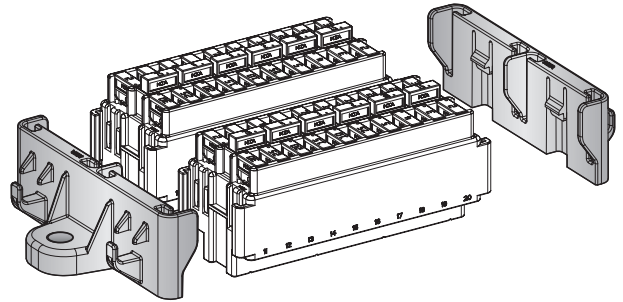
1



2

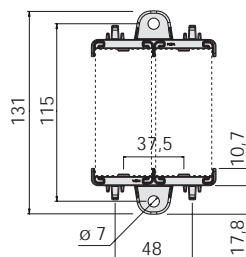
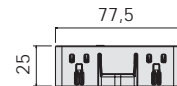
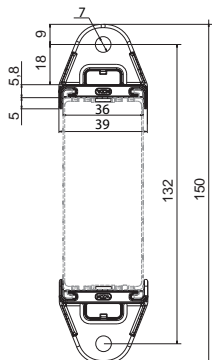
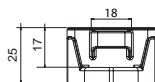


3

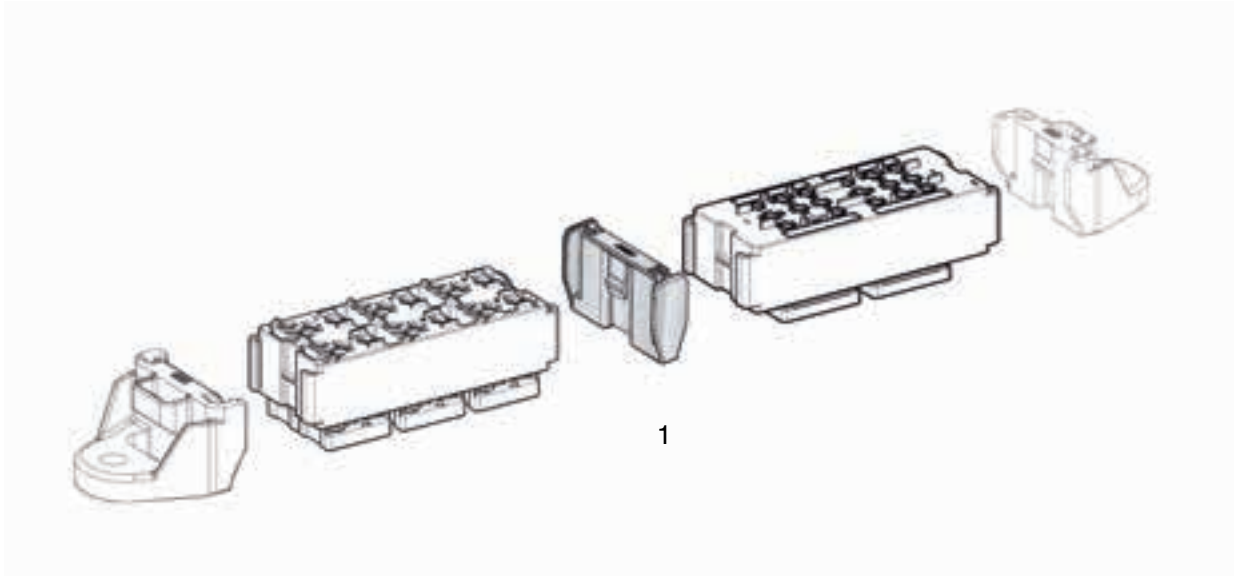


4

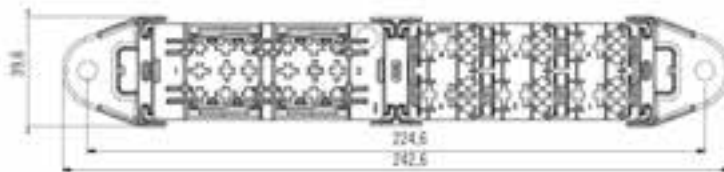
IMG	DESCRIPTION	WAY	MATERIAL	COLOUR		P/N BOX	M.O.Q.	P/N BULK	M.O.Q.
1	COVER	1	PP GF30	Grey		0101590	1	0301590	150
2	COVER	2	PP GF30	Grey		0101550	1	0301550	200
3	BRACKET	1	PP GF30	Grey		0101580	2	0301580	600
4	BRACKET	2	PP GF30	Grey		0100699	2	0300699	400



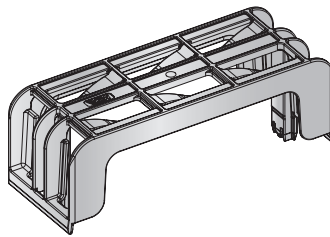
FRAMES, BRACKETS & COVERS



IMG	DESCRIPTION	WAY	MATERIAL	COLOUR		P/N BULK	M.O.Q.
1	BRACKET	1	PP GF30	Grey		0301620	250

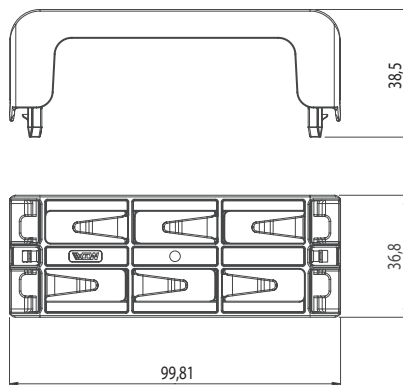


FRAMES, BRACKETS & COVERS

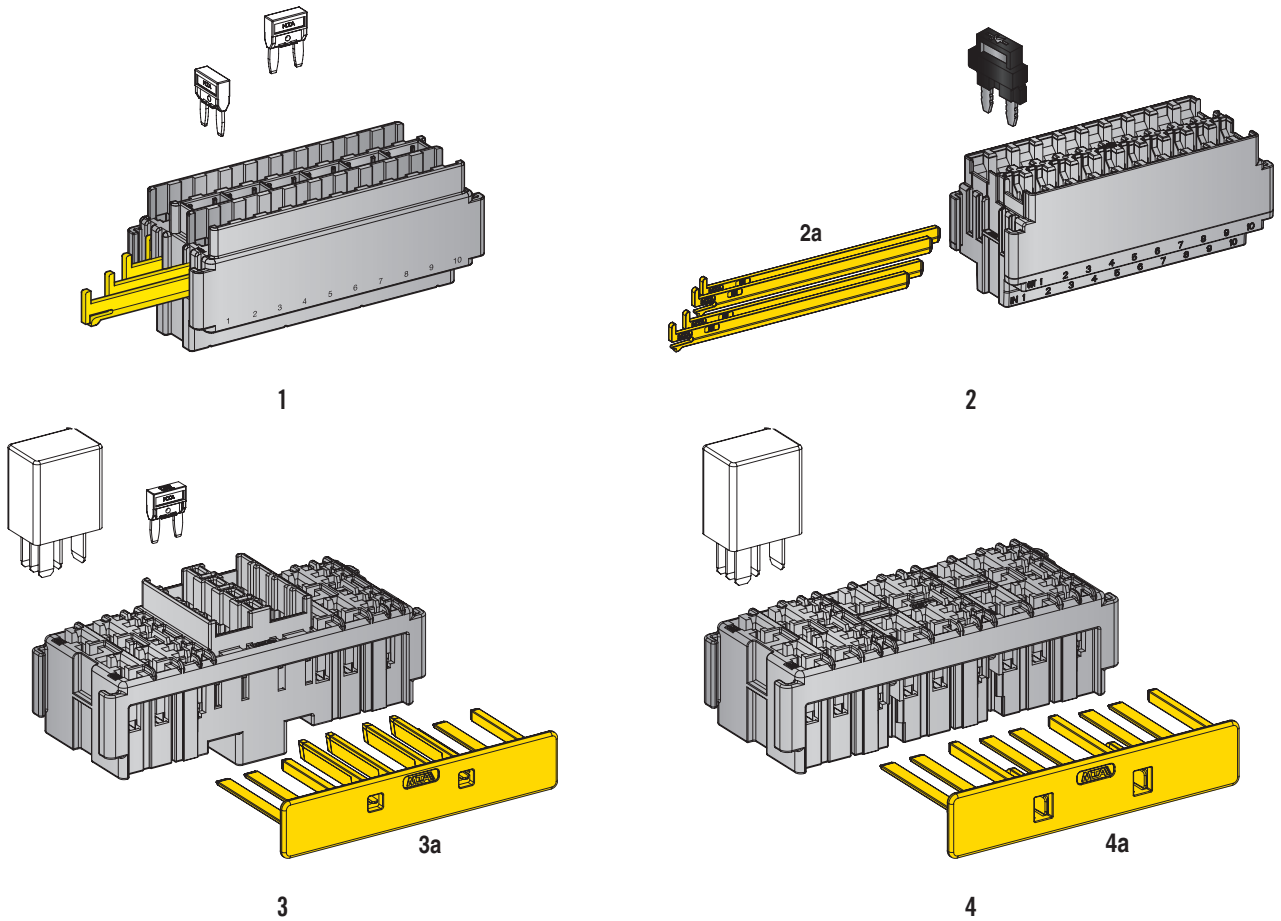


1

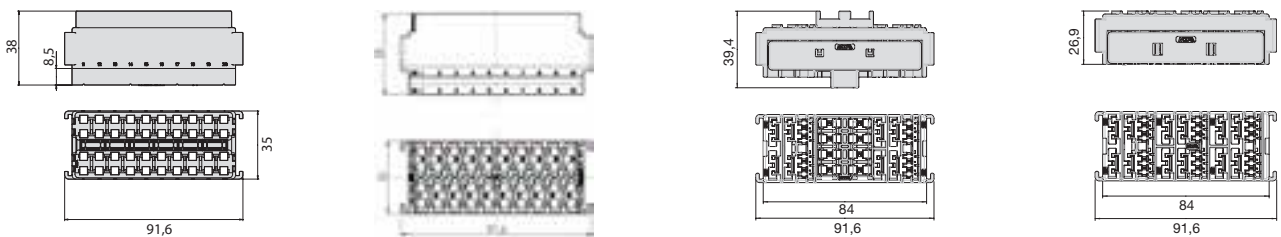
IMG	DESCRIPTION	MATERIAL	COLOUR		P/N BULK	M.O.Q.
1	COVER	PA66 - GF13	Grey		0301630	350



MODULES



IMG	DESCRIPTION	WAY	MATERIAL	COLOUR	P/N BOX WITH S.LOCK	M.O.Q.	P/N BULK	M.O.Q.
1	MINIVAL MODULE	20	PA66 MD25	Grey	0101460	1	0301460	250
2	DIODES/MINIVAL MODULE	20	PA66 MD25	Grey	0101640	1	0301640	230
2a	SECONDARYLOCK		PA66	Yellow			0300793	7000
3	MINIVAL/MICRORELAY MODULE	8 + 4	PA66 MD25	Grey	0101564	1	0301564	132
3a	SECONDARYLOCK		PA66 GF 13	Yellow			0301566	400
4	MICRORELAY MODULE	6	PA66 MD25	Grey	0101484	1	0301484	198
4a	SECONDARYLOCK		PA66 GF 13	Yellow			0301486	400

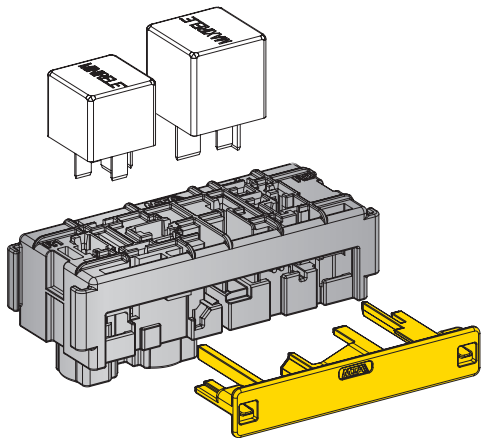


CONNECTIONS AND FIXINGS

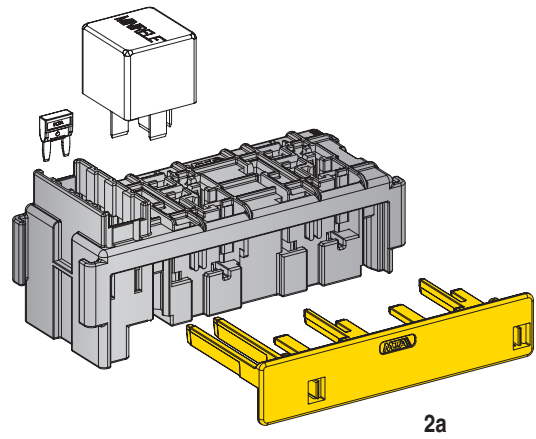


IMG	1+2+3	1+2+3	3+4	3+4	1+2+3+4
-----	-------	-------	-----	-----	---------

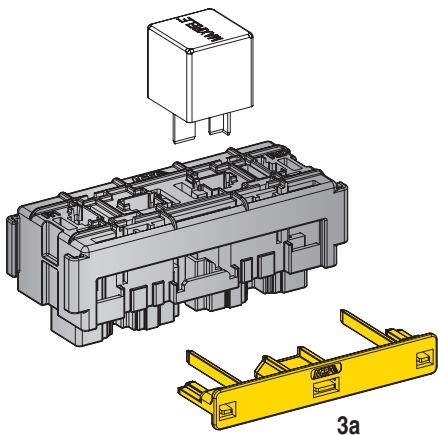
MODULES



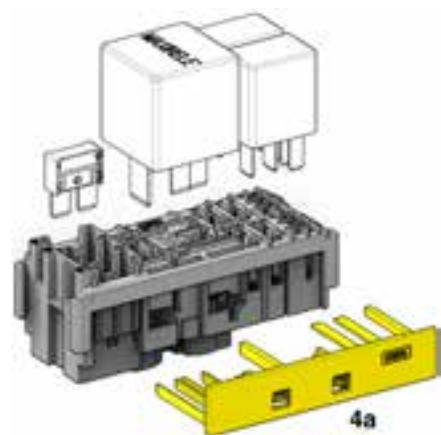
1



2

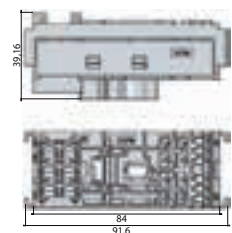
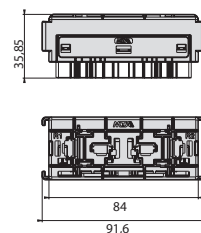
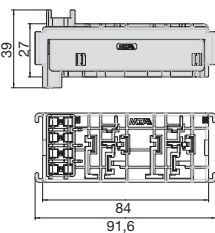
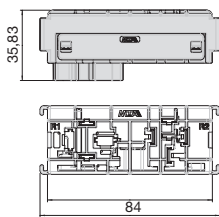


3



4

IMG	DESCRIPTION	WAY	MATERIAL	COLOUR	P/N BOX WITH S.LOCK	M.O.Q.	P/N BULK	M.O.Q.
1	MINI/MAXI RELAY MODULE	1 + 1	PA66 MD25	Grey	0101494	1	0301494	132
1a	SECONDARYLOCK		PA66 GF 13	Yellow			0301496	600
2	MINIVAL/MINIRELAY MODULE	4 + 2	PA66 MD25	Grey	0101504	1	0301504	132
2a	SECONDARYLOCK		PA66 GF 13	Yellow			0301506	400
3	MAXIRELAY MODULE	2	PA66 MD25	Grey	0101660	1	0301660	132
3a	SECONDARYLOCK		PA66 GF 13	Yellow			0301661	600
4	MAXICOMPACT/MAXI/MICRO RELAY MODULE	3 + 1 + 2	PA66 MD25	Grey	0101695	1	0301695	132
4a	SECONDARYLOCK		PA66 GF 13	Yellow			0301696	400



CONNECTIONS AND FIXINGS



F950



F630E



F280



F280
BUS-BAR



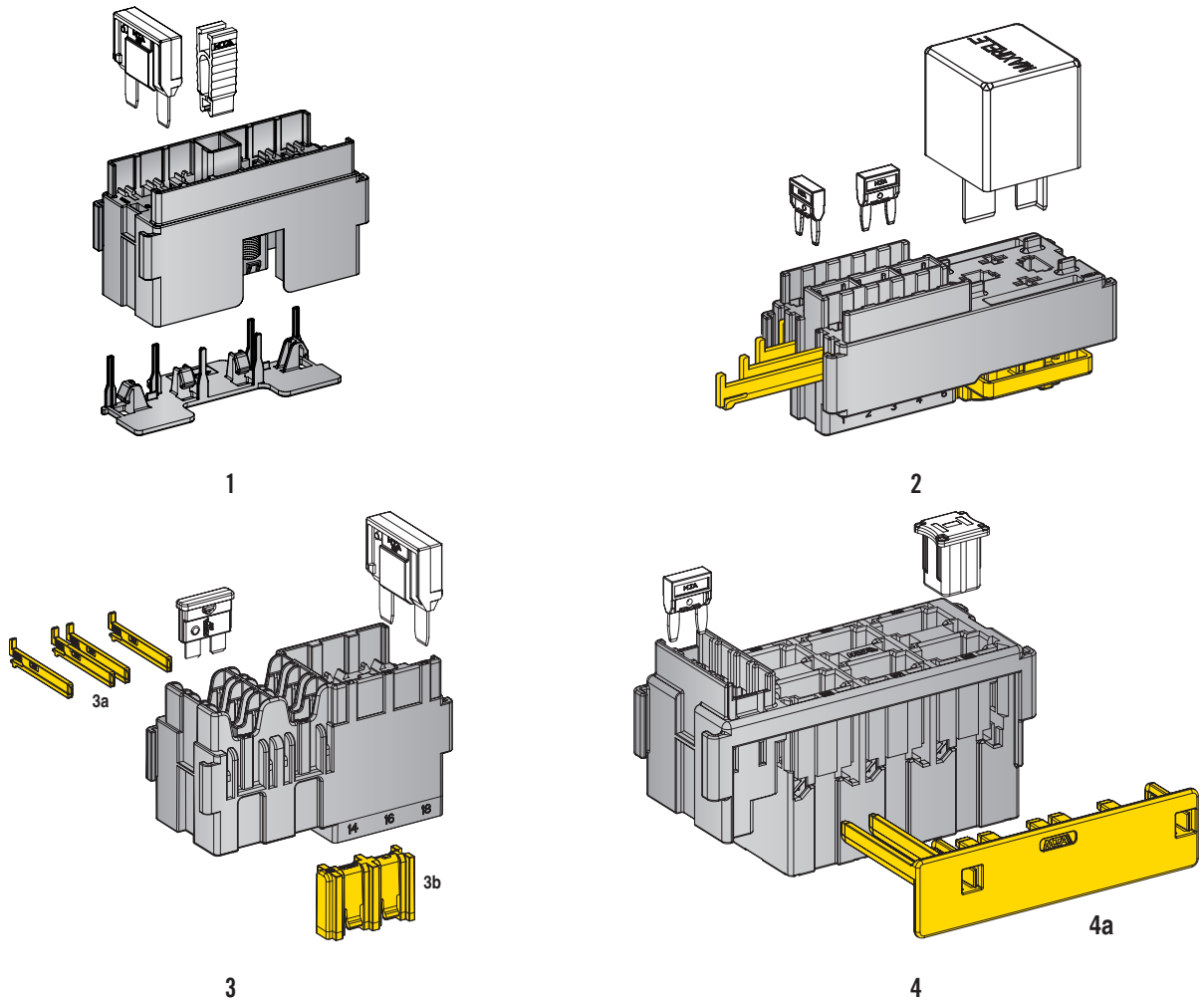
F480E



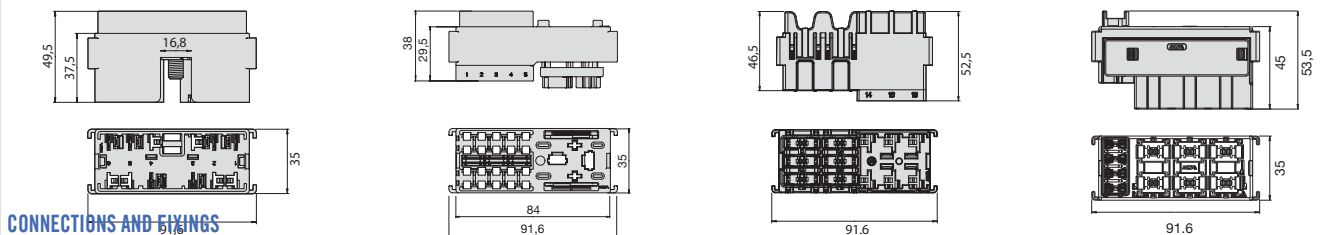
0301630

IMG	1+3+4	1+2+3+4	2	2	4	1+2+3+4
-----	-------	---------	---	---	---	---------

MODULES



IMG	DESCRIPTION	WAY	MATERIAL	COLOUR	P/N BOX WITH S.LOCK	M.O.Q.	P/N BULK	M.O.Q.
1	MAXIVAL MODULE	6	PBT GF20	Grey	0101470	1	0301470	162
2	MINIVAL/MAXIRELAY MODULE	10 + 1	PA66 MD25	Grey	0101510	1	0301510	300
3	MAXIVAL/UNIVAL MODULE	3 + 6	PA66 MD25	Grey	0101600	1	0301600	100
3a	SECONDARY LOCK FOR UNIVAL		PA66	Yellow			0301601	6000
3b	SECONDARY LOCK FOR MAXIVAL		PA66	Yellow			0301602	2000
4	MINIVAL/TYPER A1S MODULE	4 + 6	PA66 MD25	Grey	0101690	1	0301690	99
4a	SECONDARY LOCK		PA66 GF13	Yellow			0301691	300

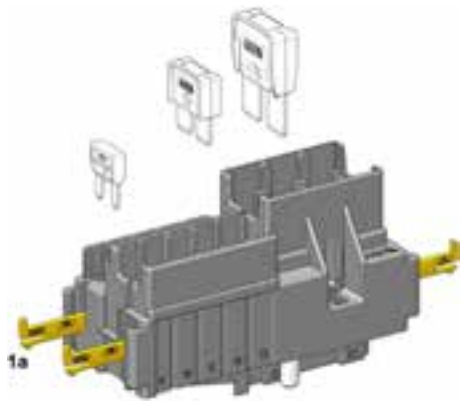


CONNECTIONS AND FIXINGS



IMG	1+3	2	2	2+4	2+4	3	3	4	1+2+3+4
-----	-----	---	---	-----	-----	---	---	---	---------

MODULES

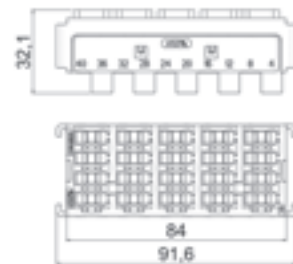
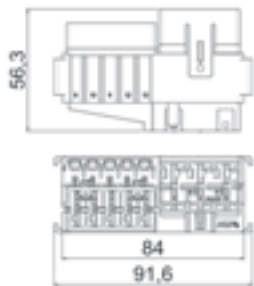


1



2

IMG	DESCRIPTION	WAY	MATERIAL	COLOUR	P/N BOX WITH S.LOCK	M.O.Q.	P/N BULK	M.O.Q.
1	MINIVAL/MAXICOMPACT/M8C MODULE	5 + 5 + 3	PA66 MD25	Grey	0101697	1	0301697	TBD
1a	SECONDARYLOCK		PA 66	Yellow			0300564	486
2	MINIVAL/CIRCUIT BRAKERS/DIODES MICRO 280 RELAYS	20 6	PA66 MD25	Grey	0101698	1	0301698	160
2a	SECONDARYLOCK		PA66 GF13	Yellow			0301699	330



CONNECTIONS AND FIXINGS



F280



F280
BUS-BAR



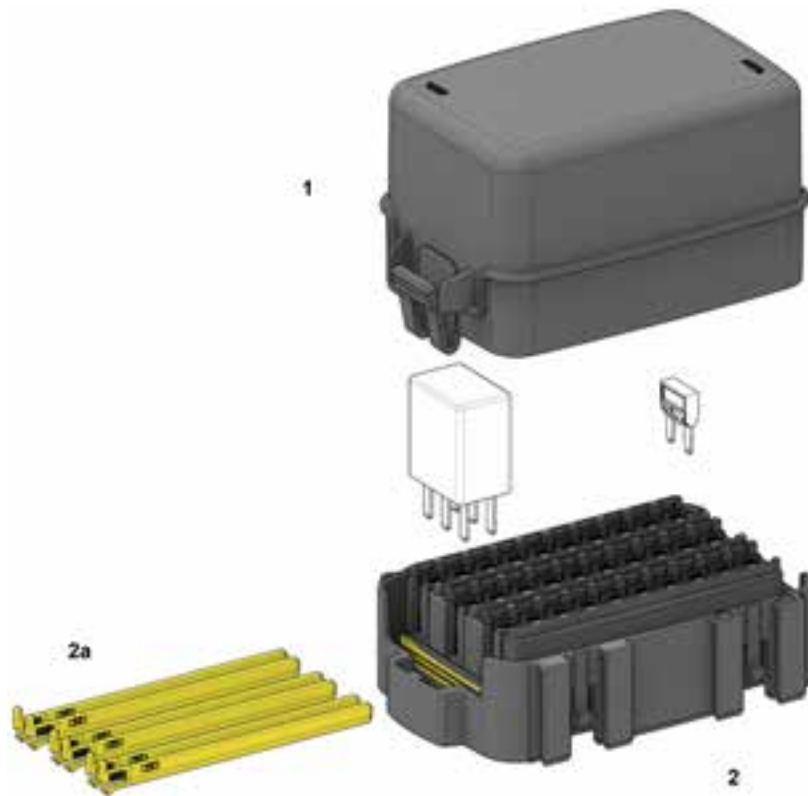
F63E



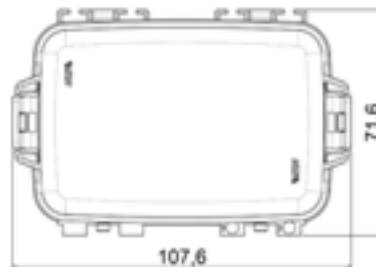
F800
WITH CLIP

IMG	1+2	2	1	1
-----	-----	---	---	---

FOOT PRINT WP MODULE



IMG	DESCRIPTION	MATERIAL	COLOUR	P/N BOX WITH S.LOCK	M.O.Q.	P/N BULK	M.O.Q.
1	COVER	PP GF30	Black	0101371	1	0301371	100
2	30 MINIVAL or 10 MICRORELAY WP FOOTPRINT MODULE	PA66 MD25	Black	0101370	1	0301370	60
2a	SECONDARY LOCK	PA 66	Yellow			0301372	1500



CONNECTIONS AND FIXINGS



F280 WP

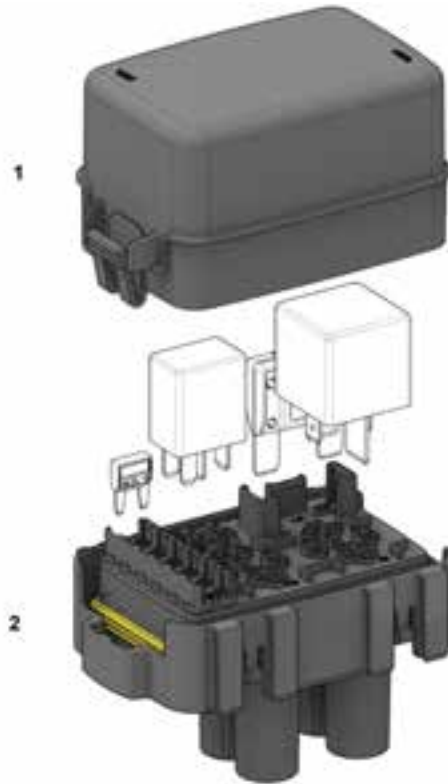


0300690

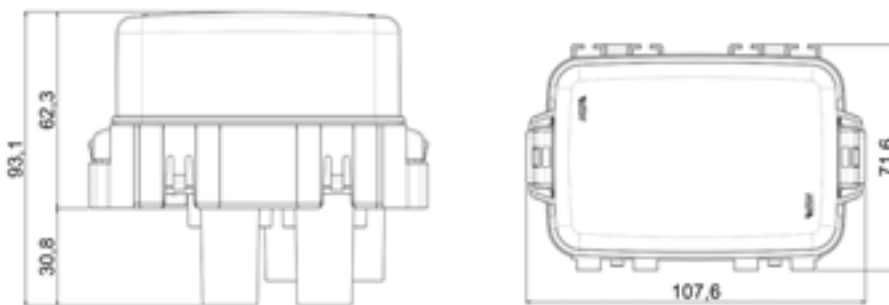


0300691

MINI/MAXIVAL - MAXI/MICRO RELAY WP MODULE



IMG	DESCRIPTION	MATERIAL	COLOUR	P/N BOX	M.O.Q.	P/N BULK	M.O.Q.
1	COVER	PP GF30	Black	0101371	1	0301371	100
2	6 MINIVAL + 1 MAXIVAL + 1 MAXIRELAY + 2 MICRORELAY MODULE	PA66 MD25	Black	0101491	1	0301491	60



CONNECTIONS AND FIXINGS



F280 WP



F800 WP



JPT WP



SPT WP



MPT WP

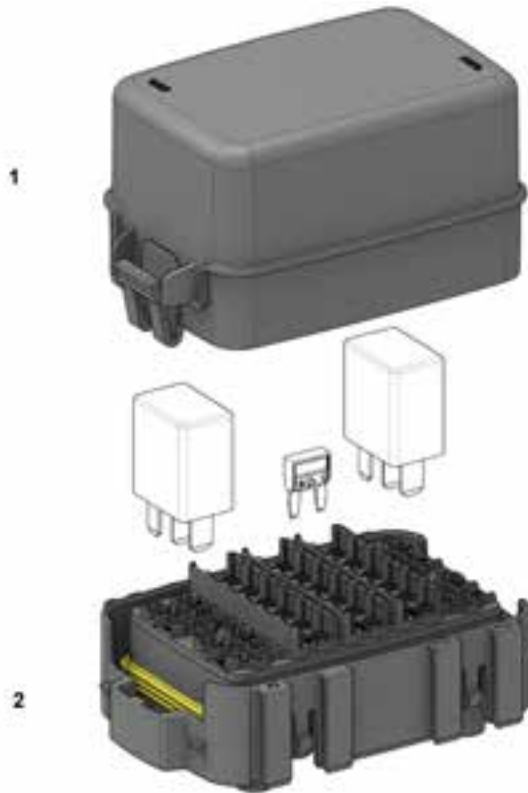


0300690

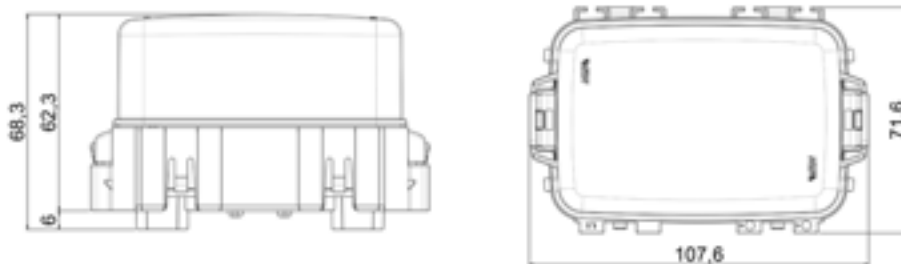


0300691

MINIVAL - MICRO RELAY WP MODULE



IMG	DESCRIPTION	MATERIAL	COLOUR	P/N BOX	M.O.Q.	P/N BULK	M.O.Q.
1	COVER	PP GF30	Black	0101371	1	0301371	100
2	18 MINIVAL + 4 MICRORELAY MODULE	PA66 MD25	Black	0101568	1	0301568	48



CONNECTIONS AND FIXINGS



F280 WP



JPT WP



SPT WP

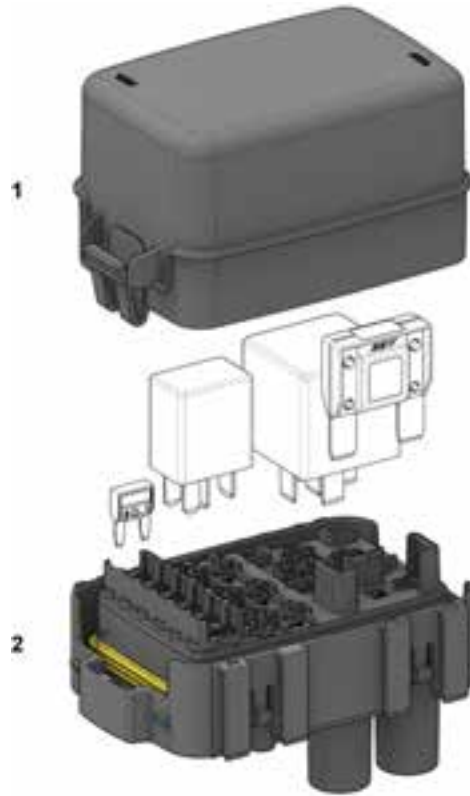


0300690

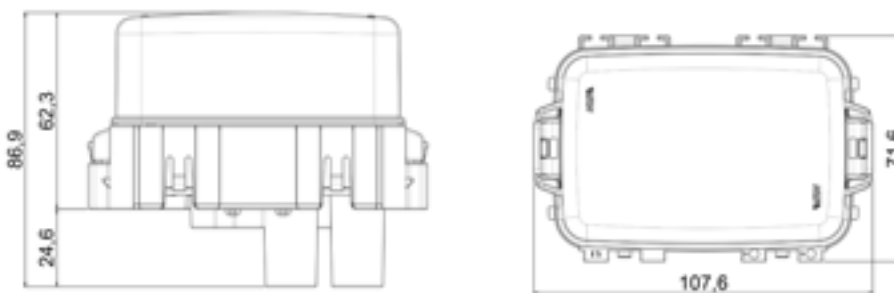


0300691

MINI/MAXIVAL - MINI/MICRO RELAY WP MODULE



IMG	DESCRIPTION	MATERIAL	COLOUR	P/N BOX	M.O.Q.	P/N BULK	M.O.Q.
1	COVER	PP GF30	Black	0101371	1	0301371	100
2	6 MINIVAL + 1 MAXIVAL + 1 MINIRELAY + 3 MICRORELAY	PA66 MD25	Black	0101569	1	0301569	60



CONNECTIONS AND FIXINGS



F280 WP



F800 WP



JPT WP



SPT WP

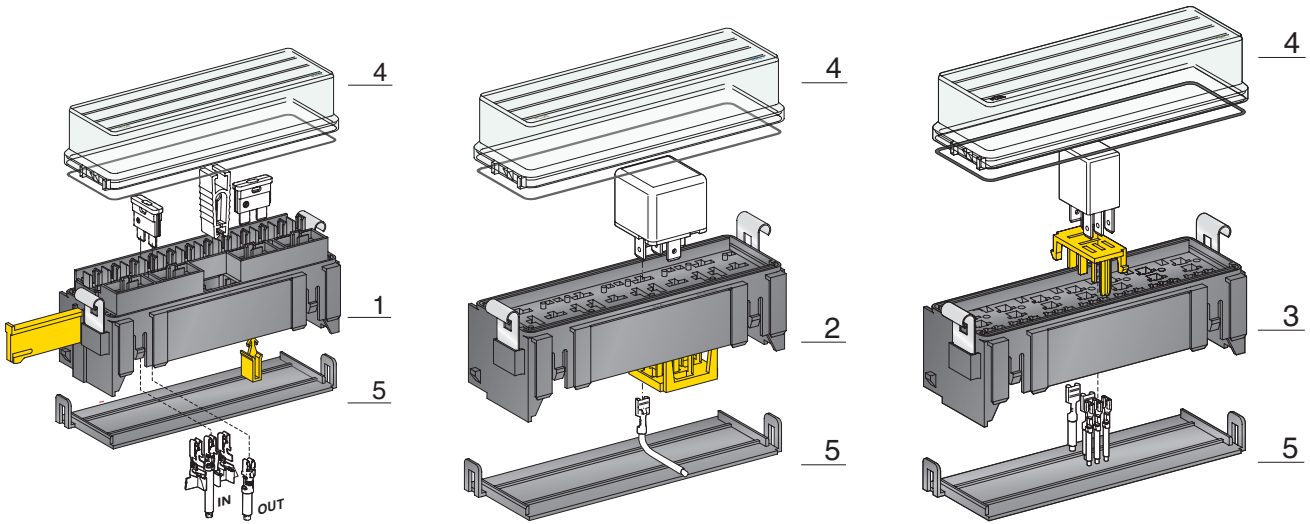


0300690

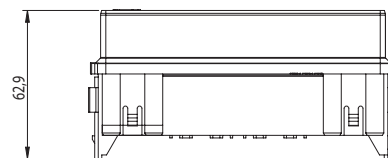
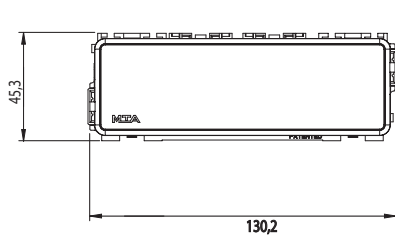


0300691

FUSE BOXES



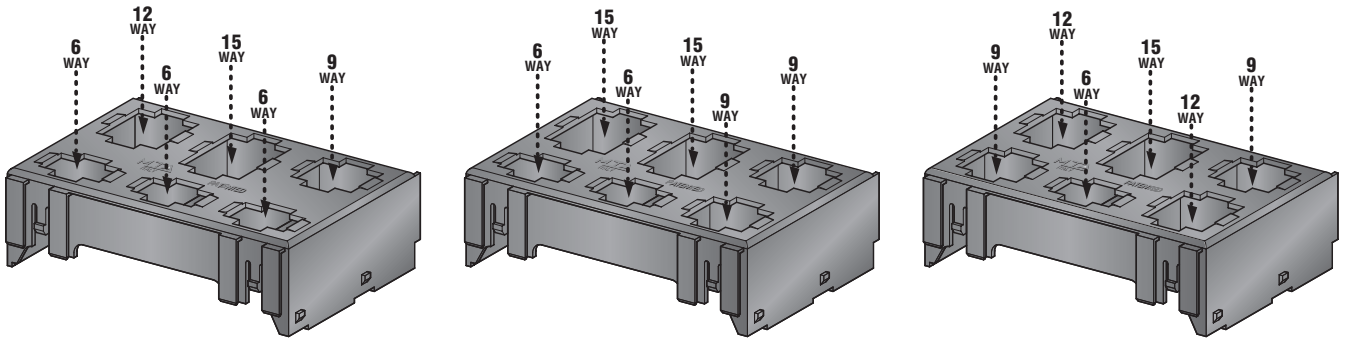
IMG	DESCRIPTION	WAY	MATERIAL	COLOUR	P/N KIT COVER,BRACKETS AND TERMINALS	M.O.Q.	P/N BULK	M.O.Q.
1	UNIVAL HOLDER	16	PA66 GF25	■ Black	0100655	16	0300650	36
2	MINI RELAY HOLDER	4	PA66 GF25	■ Black	0100665	16	0300660	72
3	MICRO RELAY HOLDER	7	PA66 GF25	■ Black	0100705	16	0300700	100
4	COVER WITH GASKET		PC	□ Natural			0300670	72
5	BOTTOM COVER		PA66	■ Black			0300680	72



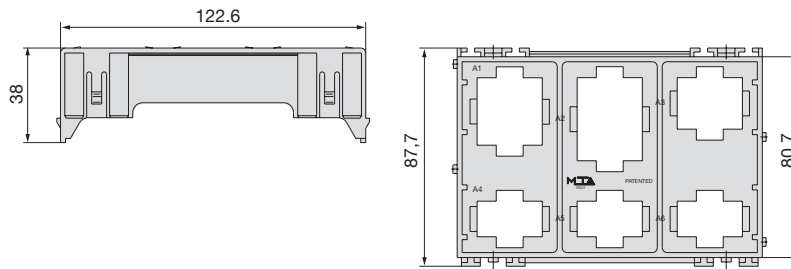
CONNECTIONS AND FIXINGS

0300690 0300691	UNI F630 BUS-BAR	UNI F630	FASTON F630 WITH LOCKING NOTCH	FASTON F480 PASSO 5	FASTON F630 THICKNESS 0,35	0300856	
IMG	1+2+3	1	1	2	3	3	1+2+3

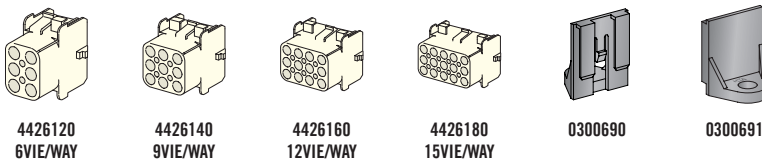
CONNECTOR BOX



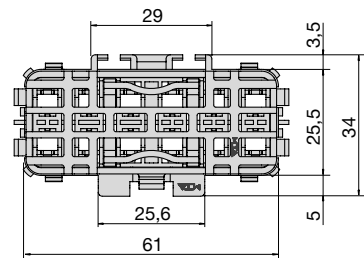
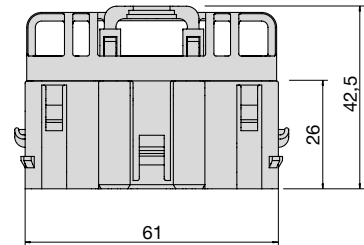
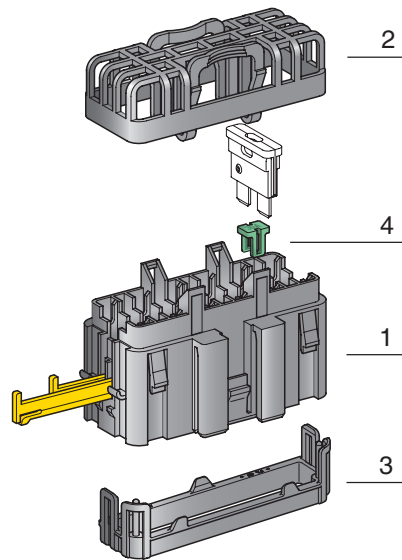
IMG	DESCRIPTION	WAY	MATERIAL	COLOUR	P/N BULK	M.O.Q.
1	CONNECTOR BOX	6	PA66 GF30	■ Black	0300681	125
2	CONNECTOR BOX	6	PA66 GF30	■ Black	0300683	125
3	CONNECTOR BOX	6	PA66 GF30	■ Black	0300684	125



CONNECTIONS AND FIXINGS



6-WAY U.P.L.



IMG	DESCRIPTION	WAY	MATERIAL	COLOUR	P/N KIT WITH TERMINALS	M.O.Q.	P/N BULK	M.O.Q.
1	HOUSING	6	PA66 GF25	Black			0303006	600
2	COVER		PA66 GF30	Black			0303009	600
3	WIRE'S COVER		PA66	Black			0303008	1000
4	IDENTIFICATION INSERT 3 AMP		PBT GF20	Violet			0303003	500
	IDENTIFICATION INSERT 5 AMP		PBT GF20	Beige			0303005	500
	IDENTIFICATION INSERT 7,5 AMP		PBT GF20	Brown			0303007	500
	IDENTIFICATION INSERT 10 AMP		PBT GF20	Red			0303010	500
	IDENTIFICATION INSERT 15 AMP		PBT GF20	Blue			0303015	500
	IDENTIFICATION INSERT 20 AMP		PBT GF20	Yellow			0303020	500
	IDENTIFICATION INSERT 25 AMP		PBT GF20	White			0303025	500
	IDENTIFICATION INSERT 30 AMP		PBT GF20	Green			0303030	500
	KIT WITH COVER AND TERMINALS AND BRACKETS				0103000	1		

CONNECTIONS AND FIXINGS



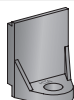
0300949



0300851



0300690



0300691

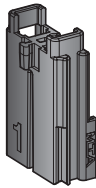
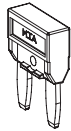


UNI F630
BUS-BAR

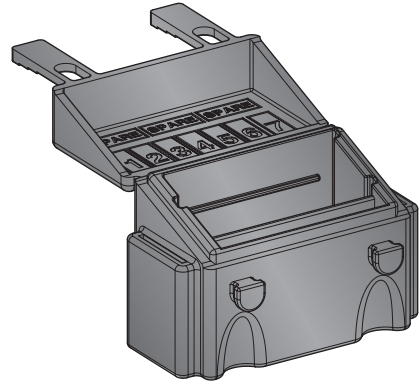


UNI F630

SML

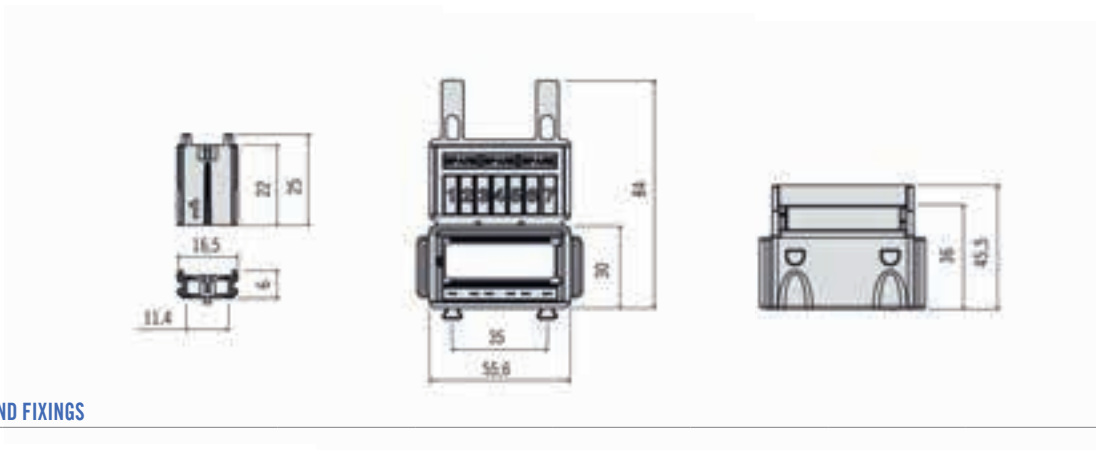


1



2

IMG	DESCRIPTION	WAY	MATERIAL	COLOUR	P/N KIT WITH TERMINALS	M.O.Q.	P/N BULK	M.O.Q.
1	HOUSING	1	PA66 GF30	■ Black			0301420	2800
2	MODULE FOR MINIVAL	7	EPDM-60	■ Black			0301430	400
	MODULE FOR MINIVAL KIT WITH TERMINALS	7	EPDM-60-D15	■ Black	0301435	1	0301431	400

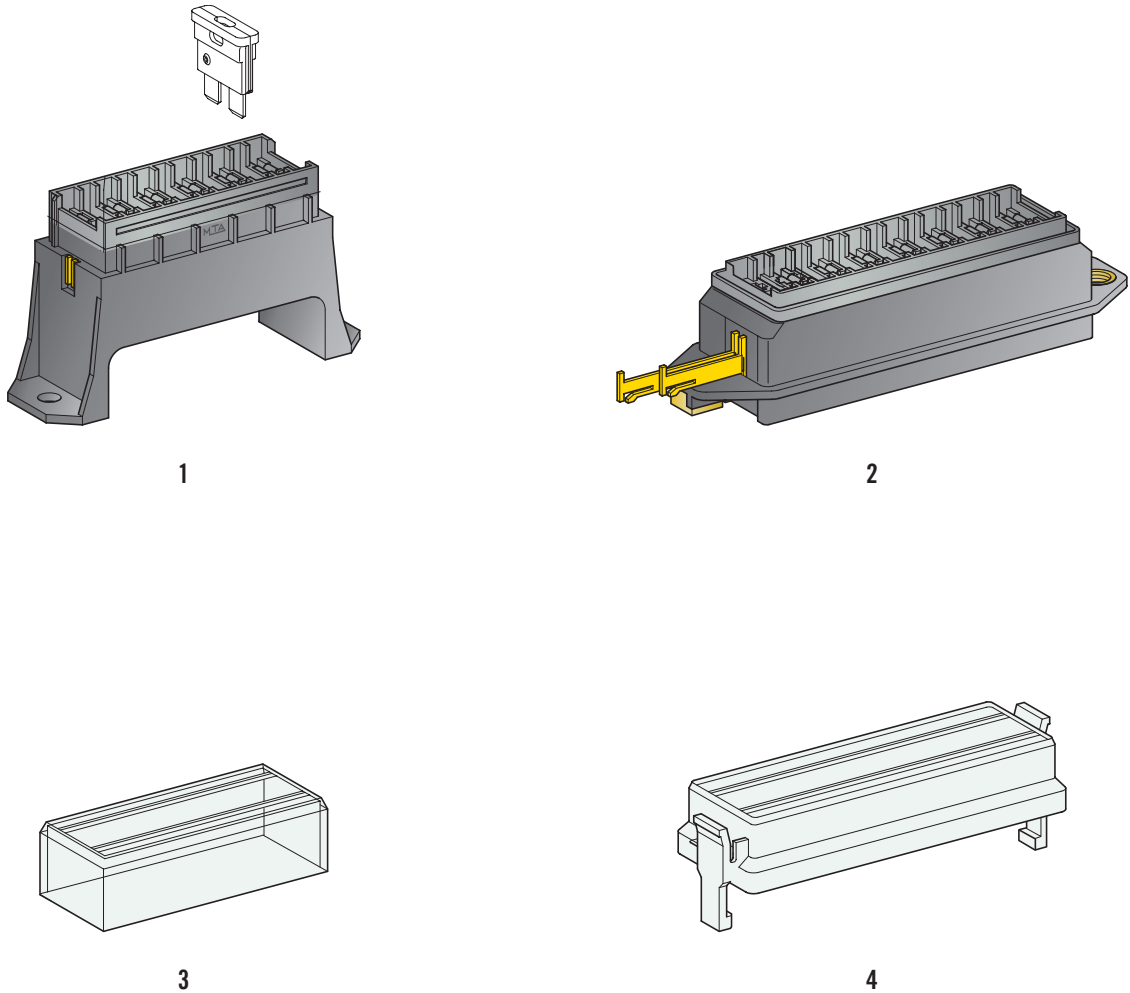


CONNECTIONS AND FIXINGS

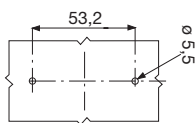


F280

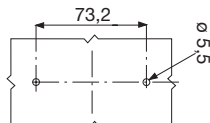
AXIAL EXITS



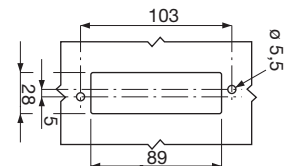
IMG	DESCRIPTION	WAY	MATERIAL	COLOUR	P/N KIT WITH COVER AND TERMINALS	M.O.Q.	P/N BULK	M.O.Q.
1	HOUSING WITH TERMINALS	4	PA66 GF30	■ Black	0100540	10	0300540	500
	HOUSING W/OUT TERMINALS	4	PA66 GF30	■ Black				
	HOUSING WITH TERMINALS	6	PA66 GF30	■ Black	0100560	10	0300560	500
	HOUSING W/OUT TERMINALS	6	PA66 GF30	■ Black				
2	HOUSING WITH TERMINALS	8	PA66 GF30	■ Black	0100580	10	0300580	300
	HOUSING W/OUT TERMINALS	8	PA66 GF30	■ Black				
3	COVER	4	PC	□ Natural			0300542	500
	COVER	6	PC	□ Natural				
4	COVER WITH GASKET	8	PA 12	□ Natural			0300582	150



4 WAY



6 WAY



8 WAY

CONNECTIONS AND FIXINGS



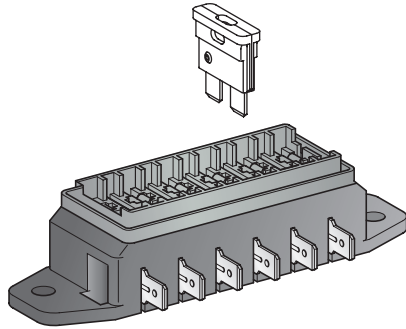
UNI F630



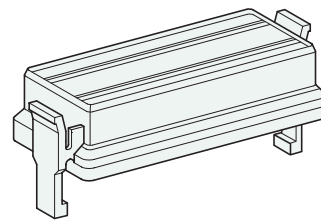
UNI F630

IMG	1+2	1+2
-----	-----	-----

LATERAL EXITS

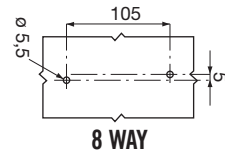
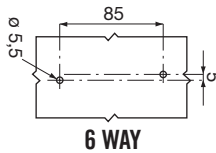
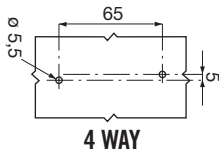


1

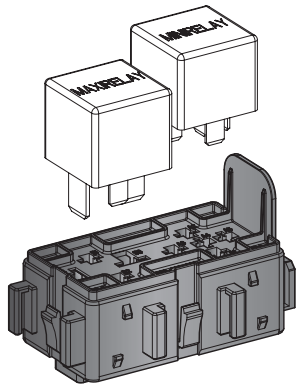


2

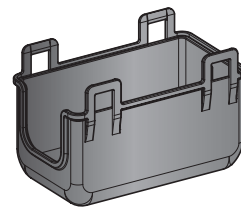
IMG	DESCRIPTION	WAY	MATERIAL	COLOUR	P/N KIT WITH COVER	M.O.Q.	P/N BULK	M.O.Q.
1	HOUSING WITH TERMINALS	4	PA66 GF30	■ Black	0100610	10	0300610	500
	HOUSING WITH TERMINALS	6	PA66 GF30	■ Black	0100600	10	0300600	400
	HOUSING WITH TERMINALS	8	PA66 GF30	■ Black	0100590	10	0300590	300
2	COVER WITH GASKET	4	PA12	□ Natural			0300612	500
	COVER WITH GASKET	6	PA12	□ Natural			0300602	100
	COVER WITH GASKET	8	PA12	□ Natural			0300582	150



RELAY HOLDER

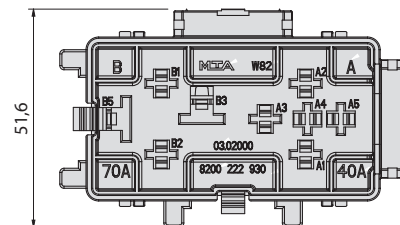
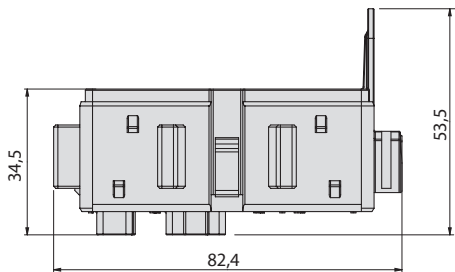


1



2

IMG	DESCRIPTION	WAY	MATERIAL	COLOUR	P/N BULK	M.O.Q.
1	HOLDER FOR MAXI AND MINI RELAY	2	PBT GF20	■ Black	0302000	240
2	UPPER AND BOTTOM COVER		PP	■ Black	0302001	240



CONNECTIONS AND FIXINGS



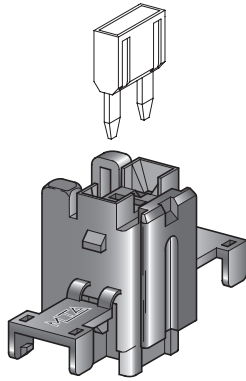
L-TYPE F950



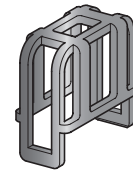
NG1 6,3

FUSE/RELAY HOLDERS

MINIVAL® IN-LINE HOLDER

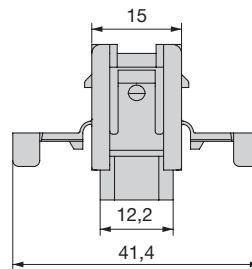
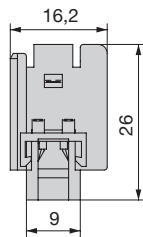


1

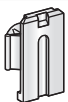


2

IMG	DESCRIPTION	WAY	MATERIAL	COLOUR	P/N BOX	M.O.Q.	P/N BULK	M.O.Q.	P/N BULK	M.O.Q.
1	HOUSING	1	PA66	■ Black	0101400	5	0301400	200	0301410	2000
2	COVER		PA66	■ Black	0100416	5			0300416	2000
	KIT WITH TERMINALS				3050152	20				



CONNECTIONS AND FIXINGS

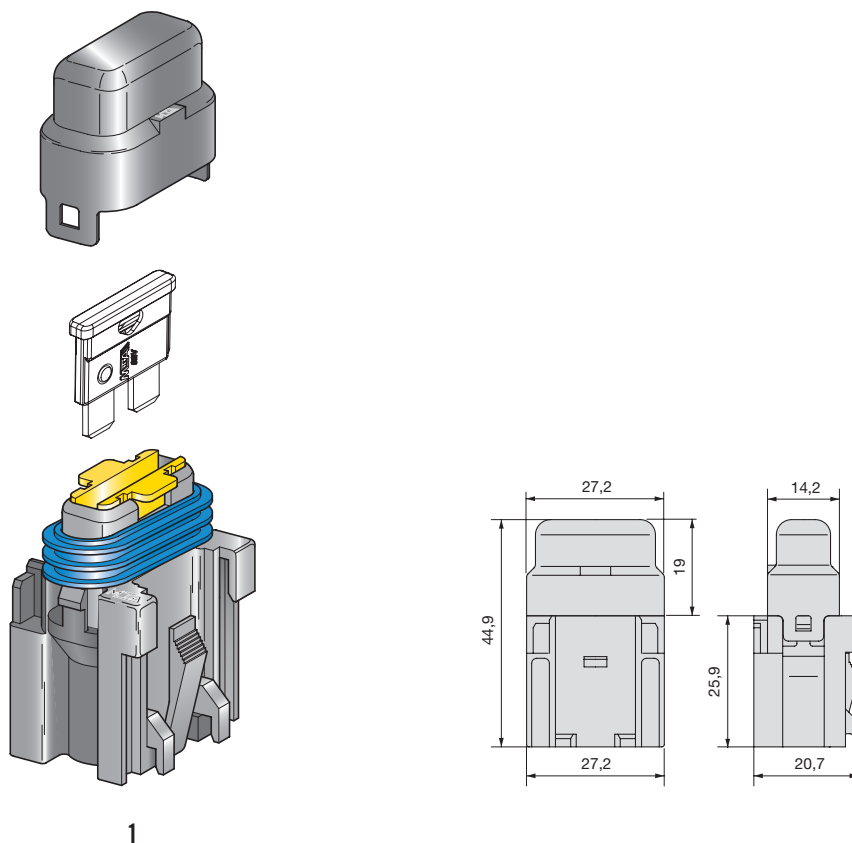


0300395
0300398



JPT

SPLASH PROOF UNIVAL® HOLDER



IMG.	DESCRIPTION	WAY	MATERIAL	COLOUR	P/N BOX	M.O.Q.	P/N BOX	M.O.Q.	P/N BULK	M.O.Q.
1	S.P. HOLDER+ COVER	1	PA66	■ Black					0301301	1200
	+ SECONDARYLOCK 1 AMP		PBT GF20	■ Black						
	+ SECONDARYLOCK 5 AMP		PBT GF20	■ Beige			0302305	100	0301305	1200
	+ SECONDARYLOCK 7,5 A		PBT GF20	■ Brown					0301307	1200
	+ SECONDARYLOCK 10 AMP		PBT GF20	■ Red			0302310	100	0301310	1200
	+ SECONDARYLOCK 15 AMP		PBT GF20	■ Blue			0302315	100	0301315	1200
	+ SECONDARYLOCK 20 AMP		PBT GF20	■ Yellow	0101320	50	0302320	100	0301320	1200
	+ SECONDARYLOCK 25 AMP		PBT GF20	■ Natural			0302325	100	0301325	1200
	+ SECONDARYLOCK 30 AMP		PBT GF20	■ Green			0302330	100	0301330	1200
	KIT WITH TERMINALS GASKET AND FIXING PLATE				3050153	1				

CONNECTIONS AND FIXINGS



0300949



0300851



0300856



0300392



0300440



0300430



0300697

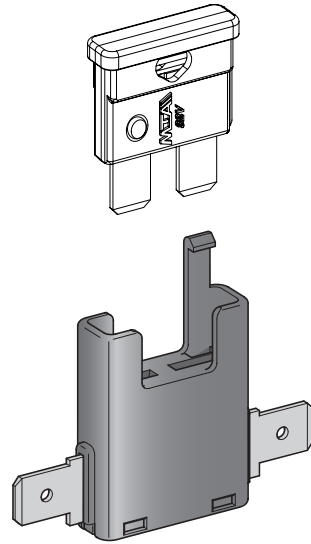


0300698



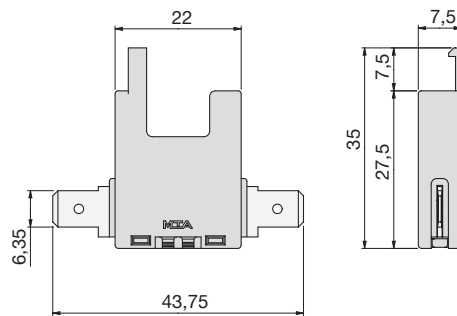
UNI F630

UNIVAL®NKA HOLDER

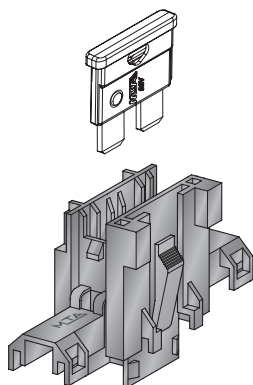


1

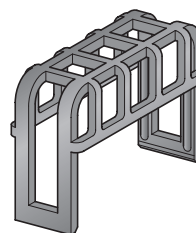
IMG	DESCRIPTION	WAY	MATERIAL	COLOUR	P/N BOX	M.O.Q.	P/N BULK	M.O.Q.
1	NKA FUSEHOLDER	1	PA66	Black	0100345	50	0300345	2000



UNIVAL®HOLDER

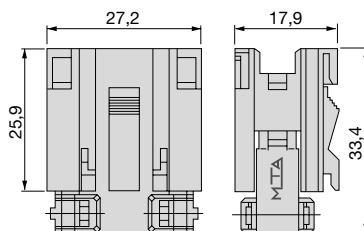


1



2

IMG	DESCRIPTION	WAY	MATERIAL	COLOUR	P/N BOX	M.O.Q.	P/N BULK	M.O.Q.		
1	HOLDER	1	PA66	■ Black	0100400	125	0300400	500		
	HOLDER	1	PA66	■ Beige					0300401	500
	HOLDER	1	PA66	■ Brown					0300402	500
	HOLDER	1	PA66	■ Red					0300403	500
	HOLDER	1	PA66	■ Blue					0300404	500
	HOLDER	1	PA66	■ Yellow					0300405	500
	HOLDER	1	PA66	□ White					0300406	500
	HOLDER	1	PA66	■ Green					0300407	500
2	COVER		PA66 GF30	■ Black	0100415	25	0300415	1000		



CONNECTIONS AND FIXINGS



0300949



0300851



0300856



0300392



0300440



0300430



0300697

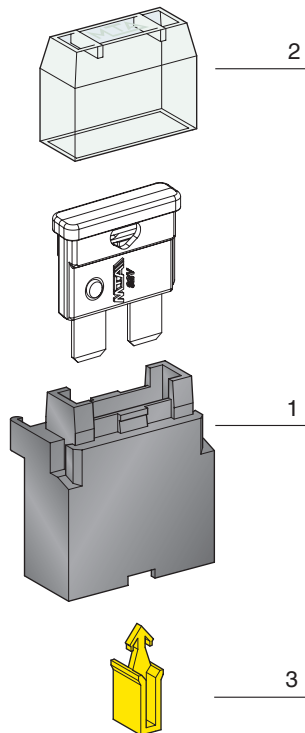


0300698

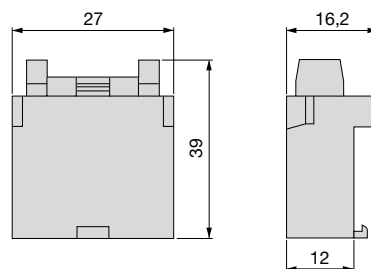


UNI F630

UNIVAL®HOLDER



IMG	DESCRIPTION	WAY	MATERIAL	COLOUR	P/N BOX	M.O.Q.	P/N BULK	M.O.Q.
1	HOLDER WITH TERMINALS	1	PA66	Black	0100351	250	0300351	1250
	HOLDER WITH SECONDARY LOCK WITHOUT TERMINALS	1	PA66	Black			0300354	1000
	HOLDER WITH TERMINALS AND CABLES	1	PA66	Black	0100350	25		
2	COVER		PC	Clear	0100359	250	0300359	500
3	SECONDARY LOCK		PA66	Yellow			0300357	250
	KIT WITH COVER, TERMINALS FIXING PLATE AND EXTRACTOR				0100353 (Blister)	20		



CONNECTIONS AND FIXINGS



0300352

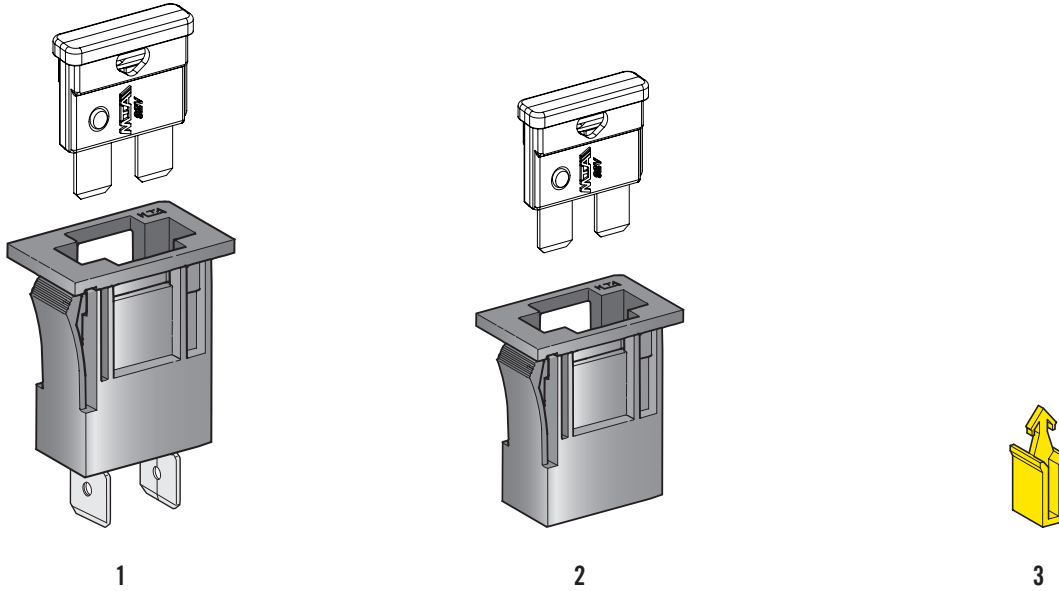


UNI F630

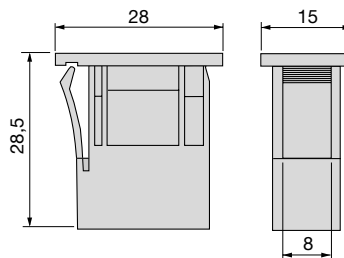


UNI F630

UNIVAL® INSERTABLE HOLDER



IMG	DESCRIPTION	WAY	MATERIAL	COLOUR	P/N BOX	M.O.Q.	P/N BULK	M.O.Q.
1	HOLDER WITH TERMINALS	1	PA66 GF25	Black	0100330	25	0300330	500
2	HOLDER WITHOUT TERMINALS	1	PA66 GF25	Black			0300331	1000
3	SECONDARYLOCK		PA66	Yellow			0300357	250



CONNECTIONS AND FIXINGS



UNI F630



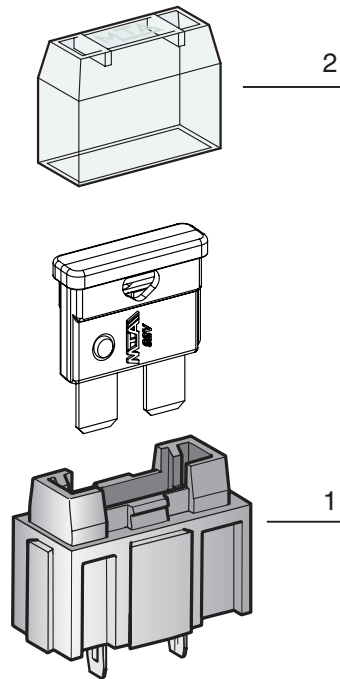
UNI F630

IMG

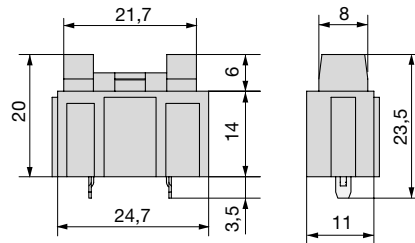
2

2

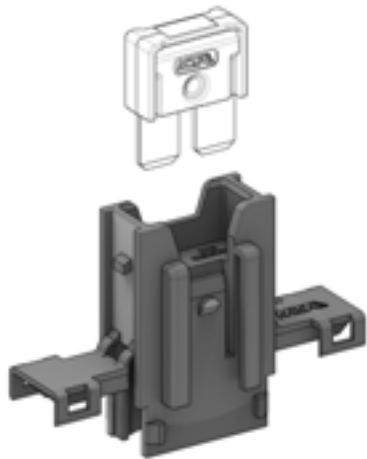
UNIVAL® PCB HOLDER



IMG	DESCRIPTION	WAY	MATERIAL	COLOUR	P/N BOX	M.O.Q.	P/N BULK	M.O.Q.
1	HOLDER	1	PA66 GF30	■ Black	0100420	5	0300420	1000
2	COVER	1	PC	□ Natural	0100359	250	0300359	500



MAXICOMPACT® HOLDER

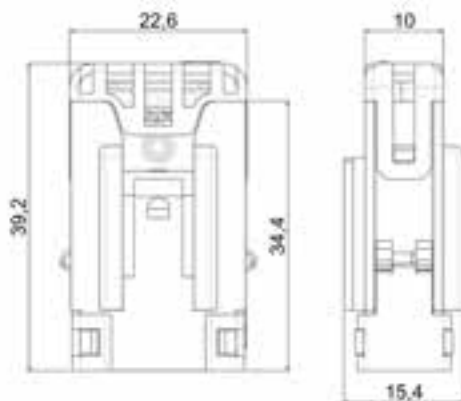


1



2

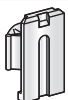
IMG	DESCRIPTION	WAY	MATERIAL	COLOUR	P/N BOX	M.O.Q.	P/N BULK	M.O.Q.
1	HOLDER	1	PA66	Black	0101881	50	0301881	220
2	COVER	1	PA66	Black	0101882	50	0301882	220



CONNECTIONS AND FIXINGS

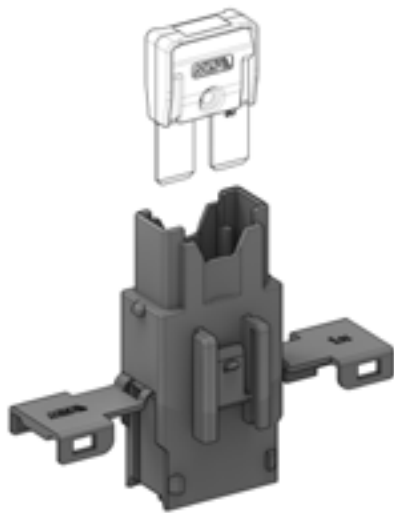


F630E



0300395
0300398

M8COMPACT®HOLDER

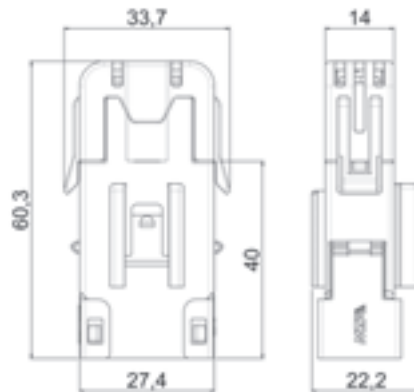


1



2

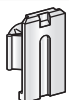
IMG	DESCRIPTION	WAY	MATERIAL	COLOUR	P/N BOX	M.O.Q.	P/N BULK	M.O.Q.
1	HOLDER	1	PA66	■ Black	0101883	50	0301883	220
2	COVER	1	PA66	■ Black	0101884	50	0301884	220



CONNECTIONS AND FIXINGS

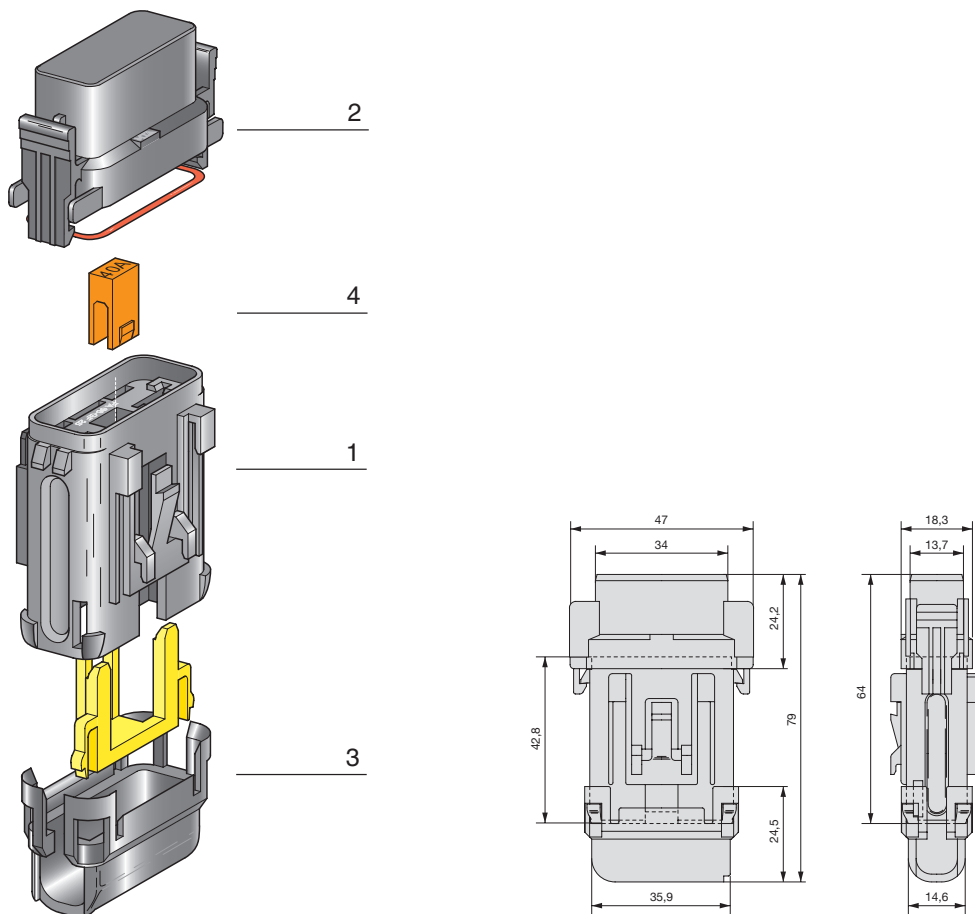


F800
WITH CLIP



0300395
0300398

SPLASH PROOF MAXIVAL® HOLDER



IMG	DESCRIPTION	WAY	MATERIAL	COLOUR	P/N BOX	M.O.Q.	P/N BULK	M.O.Q.
1	HOLDER + SECONDARY LOCK	1	PA66 GF25 PA66 GF30	■ Black ■ Yellow	0321000	250	0301000	800
2	COVER WITH GASKET		PA66	■ Black	0321210	250	0301210	1500
3	BOTTOM COVER		PA66	■ Black	0321200	250	0301200	1500
4	IDENTIFICATION INSERT 30 AMP		PBT GF20	■ Green			0301030	1500
	IDENTIFICATION INSERT 40 AMP		PBT GF20	■ Orange			0301040	1500
	IDENTIFICATION INSERT 50 AMP		PBT GF20	■ Red			0301050	1500
	IDENTIFICATION INSERT 60 AMP		PBT GF20	■ Blue			0301060	1500
	IDENTIFICATION INSERT 70 AMP		PBT GF20	■ Beige			0301070	1500
	IDENTIFICATION INSERT 80 AMP		PBT GF20	□ Natural			0301080	1500
	KIT WITH TERMINALS				0101005	10		

CONNECTIONS AND FIXINGS



0300949



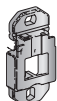
0300851



0300856



0300392



0300440

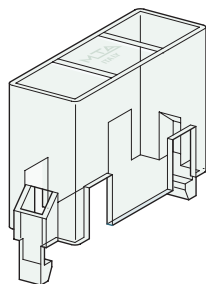


0300430



F800

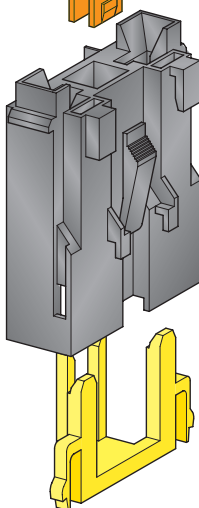
MAXIVAL® HOLDER



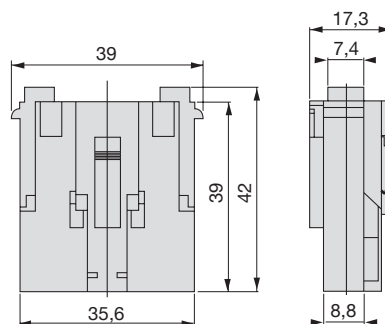
2



3



1



IMG	DESCRIPTION	WAY	MATERIAL	COLOUR	P/N BOX	M.O.Q.	P/N BULK	M.O.Q.
1	HOLDER + SECONDARYLOCK	1	PA66 GF25 PA66 GF30	■ Black ■ Yellow	0100390	50	0300390	1200
2	COVER		PC	□ Natural	0100391	10	0300391	1000
3	IDENTIFICATION INSERT 30 AMP		PBT GF20	■ Green			0301030	1500
	IDENTIFICATION INSERT 40 AMP		PBT GF20	■ Orange			0301040	1500
	IDENTIFICATION INSERT 50 AMP		PBT GF20	■ Red			0301050	1500
	IDENTIFICATION INSERT 60 AMP		PBT GF20	■ Blue			0301060	1500
	IDENTIFICATION INSERT 70 AMP		PBT GF20	■ Beige			0301070	1500
	IDENTIFICATION INSERT 80 AM		PBT GF20	□ Natural			0301080	1500
	KIT WITH TERMINALS				3001001	25		

CONNECTIONS AND FIXINGS



0300949



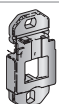
0300851



0300856



0300392



0300440

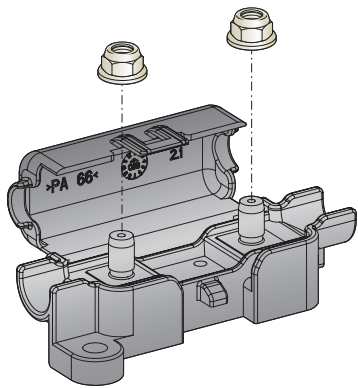


0300430

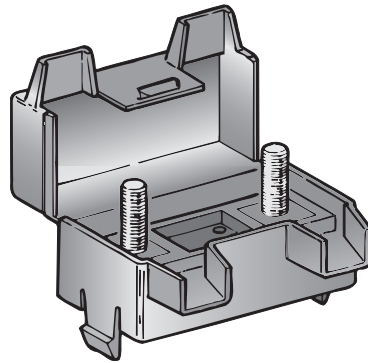


F800

MIDIVAL® HOLDER

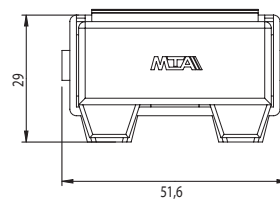
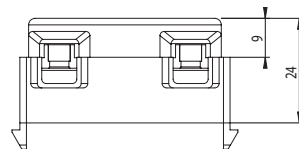
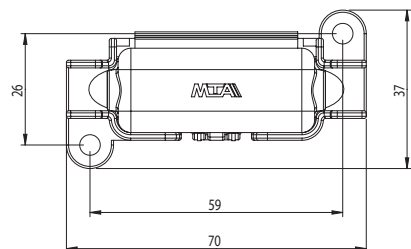
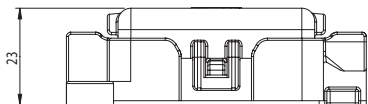


1



2

IMG	DESCRIPTION	WAY	MATERIAL	COLOUR	P/N BOX	M.O.Q.	P/N BULK	M.O.Q.
1	MIDIVAL HOLDER BOLT TYPE WITH NUTS	1	PA66	■ Black	0100360	75	0300360	200
2	MIDIVAL HOLDER CLIP TYPE WITHOUT NUTS	1	PA66	■ Black			0300370	200
	MIDIVAL HOLDER CLIP TYPE WITH NUTS	1	PA66	■ Black	0100370	5		

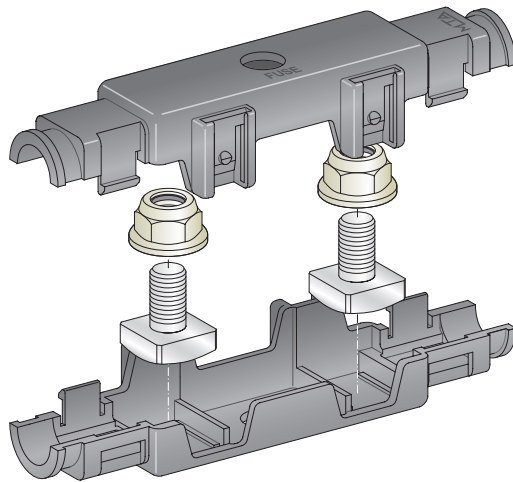


CONNECTIONS AND FIXINGS



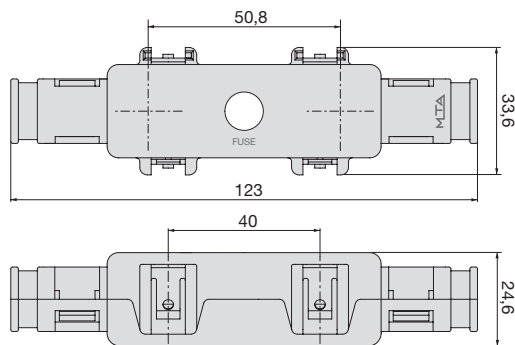
MIDI

MEGAVAL®HOLDER

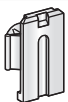


1

IMG	DESCRIPTION	WAY	MATERIAL	COLOUR		P/N	M.O.Q.
1	MEGAVAL HOLDER KIT WITH TERMINALS	1	PA66 GF30	■ Black		0300380 0100380	50 10



CONNECTIONS AND FIXINGS

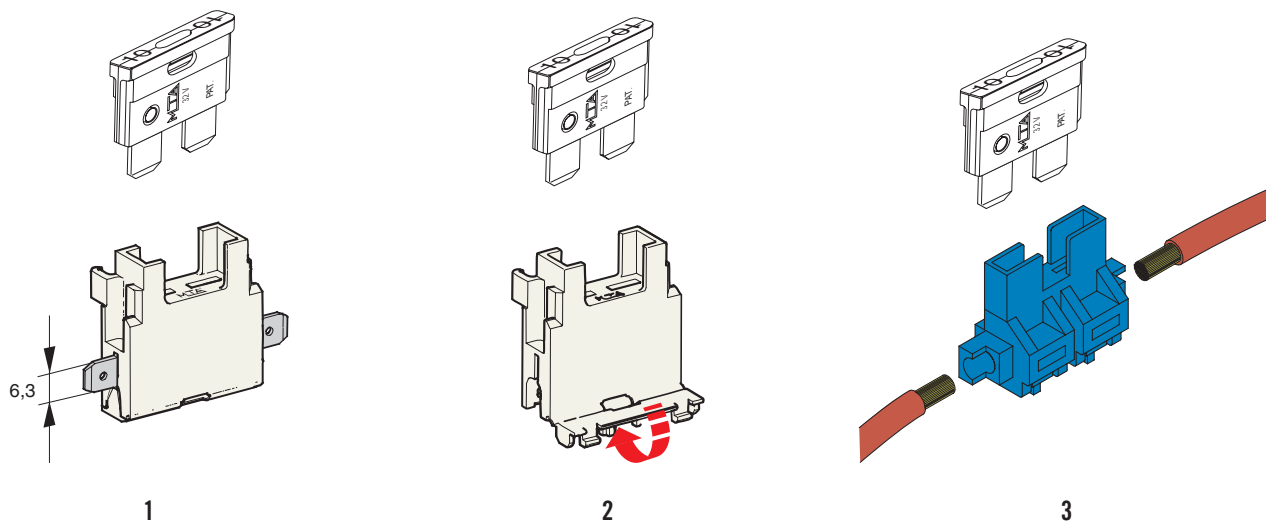


0300395
0300398

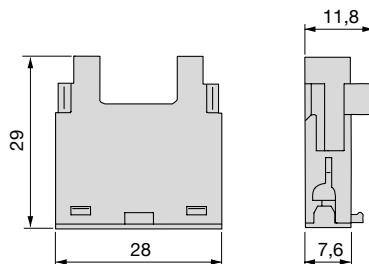


MEGA L34

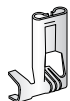
UNIVAL®HOLDER



IMG	DESCRIPTION	MATERIAL	P/N BOX	M.O.Q.	P/N BULK	M.O.Q.
1	IN LINE FUSEHOLDER WITH TERMINALS	PA66	0100341	250	0300341	1000
2	IN LINE FUSEHOLDER WITHOUT TERMINALS	PA66			0300342	2500
3	QUICK LOCK FUSEHOLDER	PA66	0100334	25		



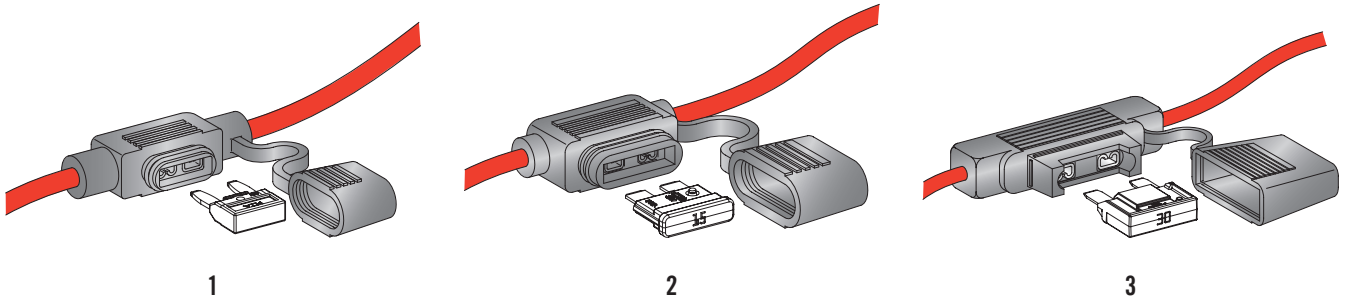
CONNECTIONS AND FIXINGS



FASTON F630
FLAG

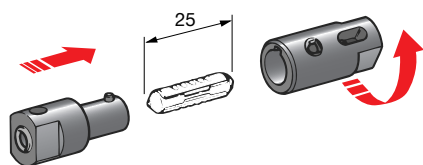
IMG 2

WATERPROOF FUSE HOLDER

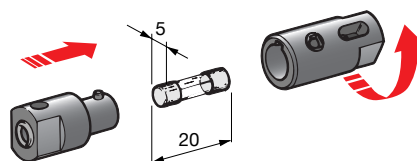


IMG	DESCRIPTION	P/N BOX	M.O.Q.	P/N BULK	M.O.Q.
1	WP MINIVAL FUSEHOLDER WITH CABLE 4mm ² L = 140 mm	0100335	5		
2	WP UNIVAL FUSEHOLDER WITH CABLE 4mm ² L = 131mm	0100336	5	0300336	500
3	WP MAXIVAL FUSEHOLDER WITH CABLE 10mm ² L = 132 mm	0100337	1		

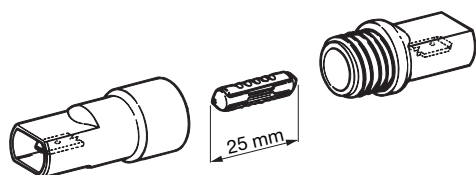
GLASS & CONTINENTAL FUSE HOLDER



1

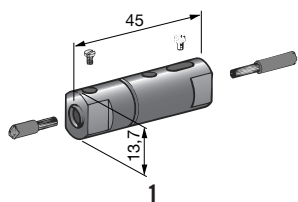


2

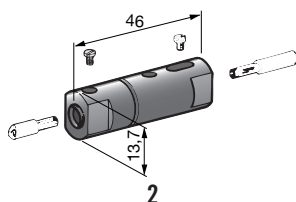


3

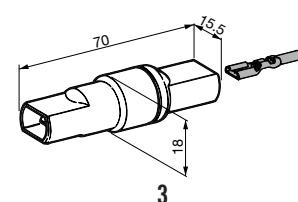
IMG	DESCRIPTION	COLOUR	CABLE	P/N BOX	M.O.Q.	P/N BULK	M.O.Q.
1	FUSEHOLDER WITH BLACK CONTINENTAL FUSE 8A	■ Black	0.25÷2	0100300	25	0300300	1000
	FUSEHOLDER WITH GREEN CONTINENTAL FUSE 16A	■ Black				0350002	1000
2	FUSEHOLDER WITH GLASS FUSE 2A - 5X20 mm	■ Black	0.25÷2	0100306	25	0300306	1000
3	FUSEHOLDER WITH BLACK CONTINENTAL FUSE 8A	□ White	Male connection 6.3 mm	0100304	25		



1

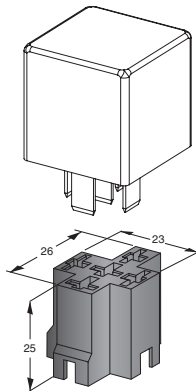


2

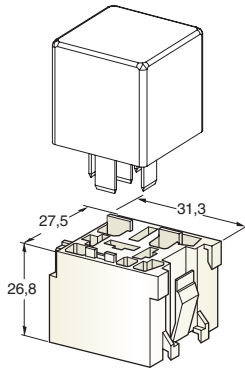


3

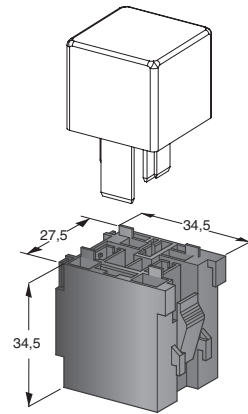
RELAY HOLDER



1



2



3

IMG	DESCRIPTION	MATERIAL	COLOUR	P/N BOX	M.O.Q.	P/N BULK	M.O.Q.
1	MINI RELAY HOLDER	PA	■ Black	4410246	50		
2	MINI RELAY HOLDER	PA	□ Neutral	4410245	50	4510245	500
	KIT HOLDER + TERMINALS + FIXING PLATE			3050135	1		
3	MAXI RELAY HOLDER	PA	■ Black	4410247	50	4510247	250
	KIT HOLDER + TERMINALS + FIXING PLATE			3050136	1		

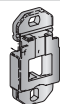
CONNECTIONS AND FIXINGS



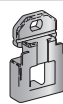
F630



01.00392



01.00440



01.00430



F630
W/LOCK.NOTCH



ANTISF F630

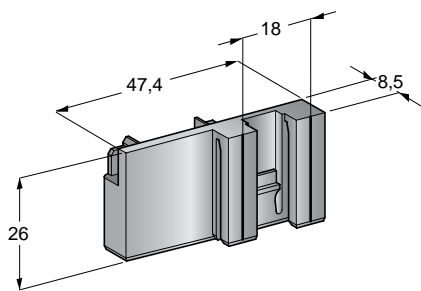


FASTON F950
W/LOCK.NOTCH

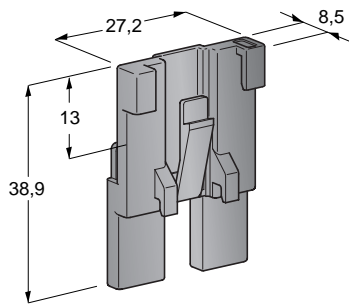
IMG	1	2+3	2+3	2+3	2	3	3
-----	---	-----	-----	-----	---	---	---

ADAPTERS & FIXING PLATES

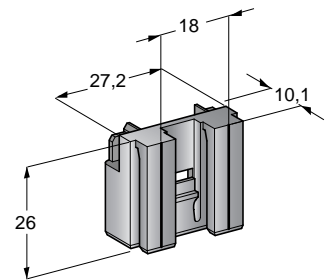
ADAPTERS



1



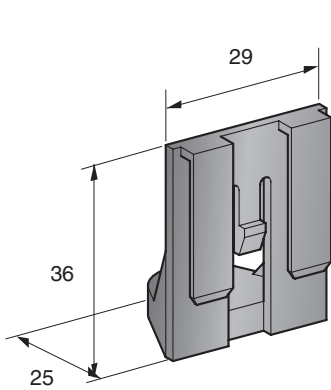
2



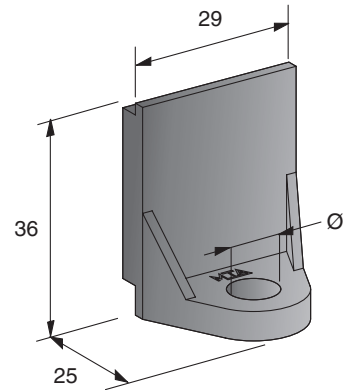
3

IMG	DESCRIPTION	MATERIAL	COLOUR		P/N BULK	M.O.Q.
1	ADAPTER	PA66 GF25	■ Black		0300851	1000
2	ADAPTER	PA66 GF25	■ Black		0300856	1500
3	ADAPTER	PA66 GF25	■ Black		0300949	1500

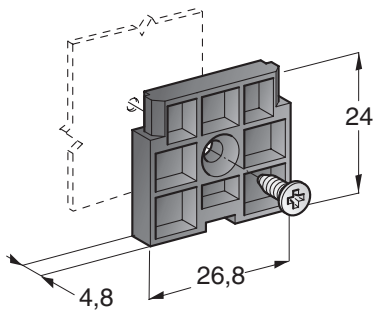
FIXING PLATES



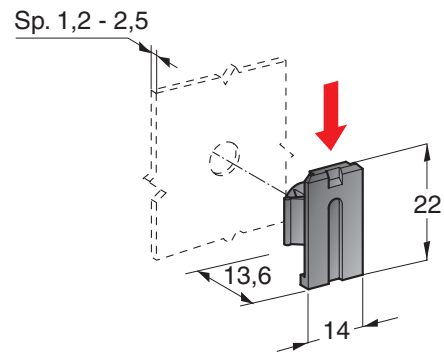
1



2



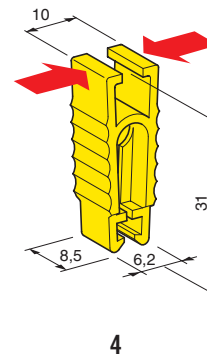
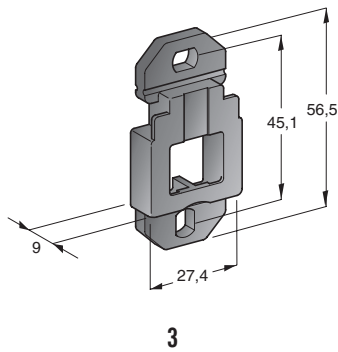
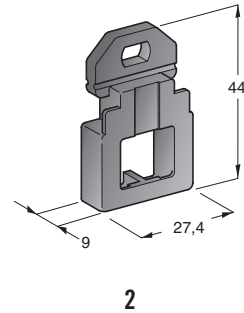
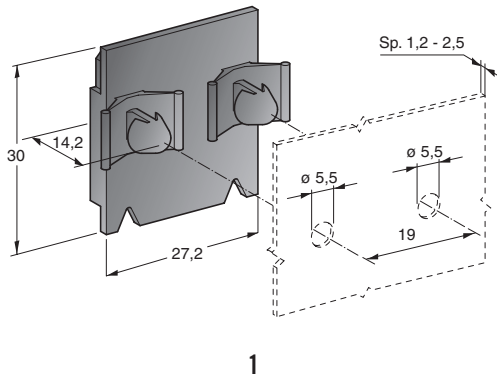
3



4

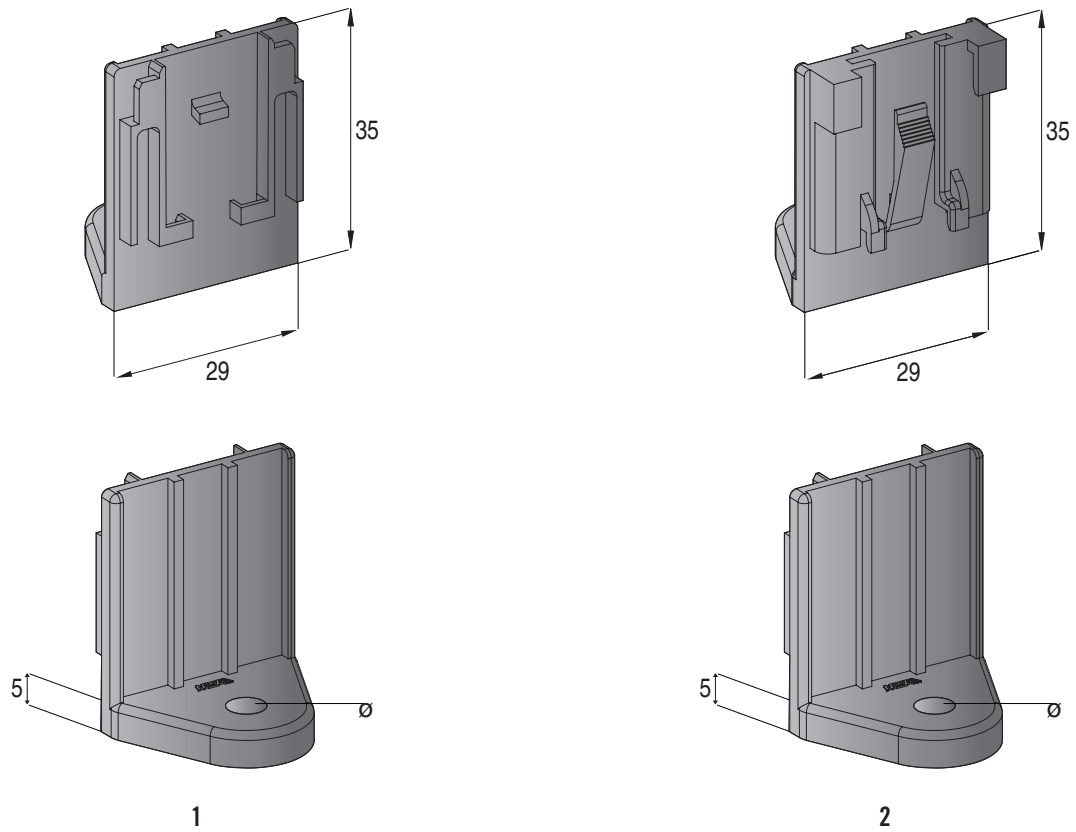
IMG	DESCRIPTION	∅ mm	MATERIAL	COLOUR	P/N BOX	M.O.Q.	P/N BULK	M.O.Q.
1	MOUNTING BRACKET MALE	8,5	PA66	■ Black			0300690	100
2	MOUNTING BRACKET FEMALE	8,5	PA66	■ Black			0300691	100
3	FIXING PLATE WITH 1 SCREW	3,6	PP GF30	■ Black	0100352	250	0300352	1000
4	FIXING PLATE BY PRESSURE	6,5	PA66	■ Black			0300395	1000
	FIXING PLATE BY PRESSURE	8,0	PA66	■ Black			0300398	1000

FIXING PLATES



IMG	DESCRIPTION	SCREW Ø mm	MATERIAL	COLOUR	P/N BOX	M.O.Q.	P/N BULK	M.O.Q.
1	FIXING PLATE	5,5	PA66	Black	0100392	100	0300392	1000
2	FIXING PLATE	M 5	PA66	Black	0100430	100	0300430	1000
3	FIXING PLATE	M 5	PA66	Black	0100440	100	0300440	250
4	EXTRACTOR FOR BLADE FUSE		PP	Yellow	0100358	250	0300358	3000

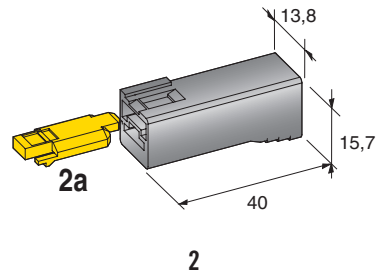
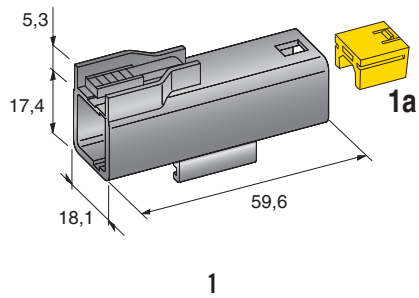
FIXING PLATES



IMG	DESCRIPTION	∅ mm	MATERIAL	COLOUR		P/N BULK	M.O.Q.
1	MOUNTING BRACKET FEMALE	5,5	PA66	■ Black		0300698	100
2	MOUNTING BRACKET MALE	5,5	PA66	■ Black		0300697	100

CONNECTORS

1-WAY POWER



IMG	DESCRIPTION	WAY	MATERIAL	COLOUR	P/N BOX WITH S.LOCK	M.O.Q.	P/N BULK	M.O.Q.
1	MALE HOLDER	1	PA66 GF25	■ Black	4440200	20	4540205	1200
2	FEMALE HOLDER	1	PA66 GF25	■ Black	4440100	20	4540105	2400
1a	SECONDARY LOCK		PA66	■ Yellow			4545200	2400
2a	SECONDARY LOCK		PA66	■ Yellow			4545100	4800

CONNECTIONS AND FIXINGS



M800



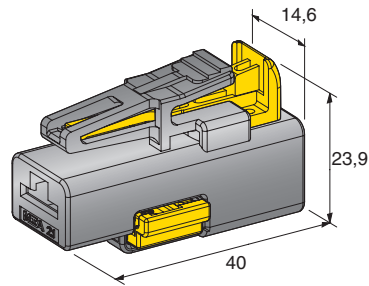
F800



0300395
0300398

IMG 1 2 1

1-WAY POWER



1

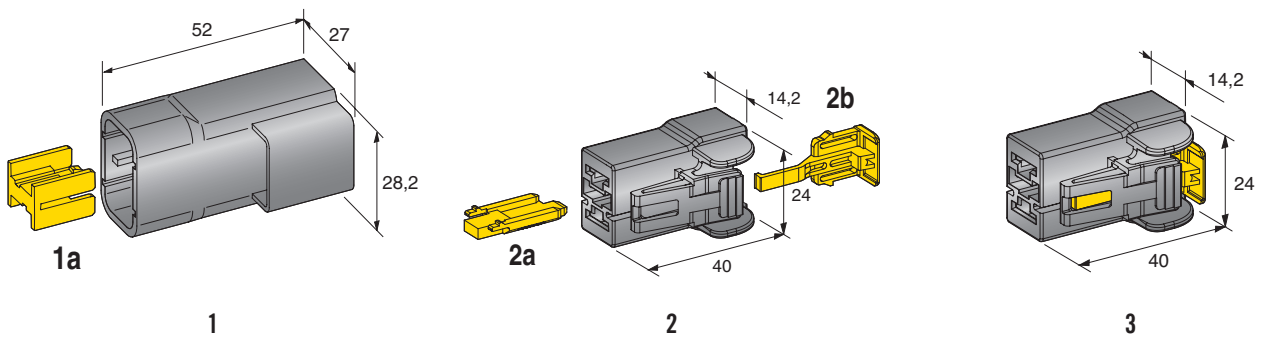
IMG	DESCRIPTION	WAY	MATERIAL	COLOUR	P/N BULK	M.O.Q.
1	FEMALE HOLDER WITH SECONDARY LOCK AND CPA	1	PA66 GF30	■ Black	4540150	700

CONNECTIONS AND FIXINGS



F800

2-WAY POWER



IMG	DESCRIPTION	WAY	MATERIAL	COLOUR	P/N BOX WITH S.LOCK	M.O.Q.	P/N BULK	M.O.Q.
1	MALE HOLDER	2	PA66 GF30	■ Black	4440400	10	4540405	1200
2	FEMALE HOLDER	2	PA66 GF30	■ Black	4440300	10	4540305	1200
3	FEMALE HOLDER WITH CPA	2	PA66 GF30	■ Black			4540302	1200
1a	SECONDARY LOCK		PA66 GF30	■ Yellow			4545400	1200
2a	SECONDARY LOCK		PA66	■ Yellow			4545100	4800
2b	CPA		PA66 GF30	■ Yellow			4545300	2400

CONNECTIONS AND FIXINGS



M800



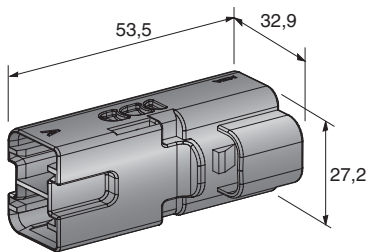
F800



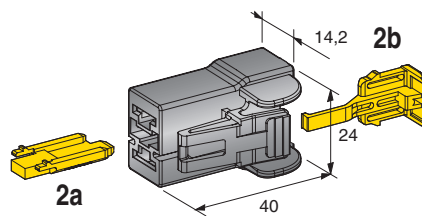
0300395
0300398

IMG	1	2+3	1
-----	---	-----	---

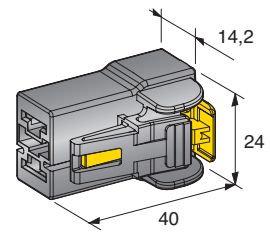
2-WAY POWER



1



2



3

IMG	DESCRIPTION	WAY	MATERIAL	COLOUR	P/N BOX WITH S.LOCK	M.O.Q.	P/N BULK	M.O.Q.
1	MALE HOLDER POLARIZED	2	PA66 GF30	Blue			4540410	1200
	MALE HOLDER POLARIZED	2	PA66 GF30	Grey			4540420	1200
	MALE HOLDER POLARIZED	2	PA66 GF30	Green			4540430	1000
2	FEMALE HOLDER POLARIZED	2	PA66 GF30	Blue	4440310	10	4540315	1200
	FEMALE HOLDER POLARIZED	2	PA66 GF30	Grey	4440340	10	4540345	1200
	FEMALE HOLDER POLARIZED	2	PA66 GF30	Green			4540325	1200
	FEMALE HOLDER POLARIZED	2	PA66 GF30	Brown			4540335	1200
3	FEMALE HOLDER POLARIZED WITH CPA	2	PA66 GF30	Blue			4540312	1200
2a	SECONDARY LOCK	-	PA66	Yellow			4545100	4800
2b	CPA	-	PA66 GF30	Yellow			4545300	2400

CONNECTIONS AND FIXINGS



M800



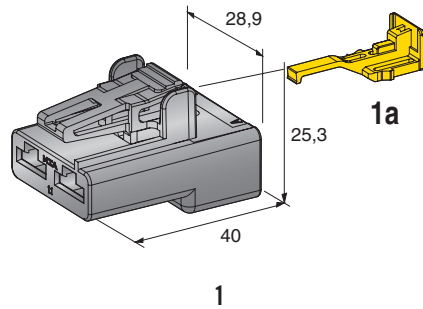
F800



0300395
0300398

IMG	1	2+3	1
-----	---	-----	---

2-WAY POWER



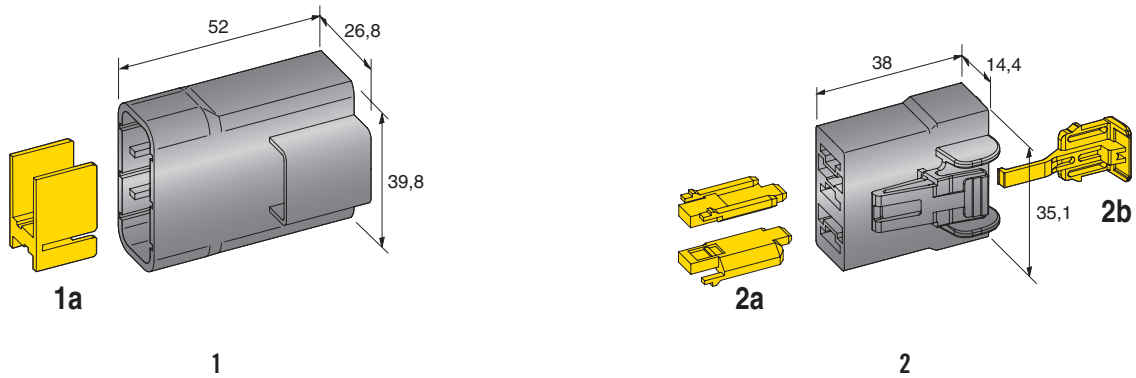
IMG	DESCRIPTION	WAY	MATERIAL	COLOUR		P/N BULK	M.O.Q.
1	FEMALE HOLDER POLARIZED	2	PA66 GF13	Blue		4540500	600
	FEMALE HOLDER POLARIZED	2	PA66 GF13	Green		4540501	600
1a	CPA		PA66 GF30	Yellow		4545300	2400

CONNECTIONS AND FIXINGS



F800

3-WAY POWER



IMG	DESCRIPTION	WAY	MATERIAL	COLOUR	P/N BOX WITH S.LOCK	M.O.Q.	P/N BULK	M.O.Q.
1	MALE HOLDER	3	PA66 GF25	Black	4440800	10	4540805	1200
	MALE HOLDER POLARIZED	3	PA66 GF25	Blue			4540815	600
2	FEMALE HOLDER	3	PA66 GF30	Black	4440700	10	4540705	1200
	FEMALE HOLDER POLARIZED	3	PA66 GF30	Blue			4540715	1200
	FEMALE HOLDER POLARIZED	3	PA66 GF30	Grey			4540735	1200
1a	SECONDARY LOCK		PA66 GF30	Yellow			4545800	1200
2a	SECONDARY LOCK		PA66	Yellow			4545100	4800
2b	CPA		PA66 GF30	Yellow			4545300	2400

CONNECTIONS AND FIXINGS



M800

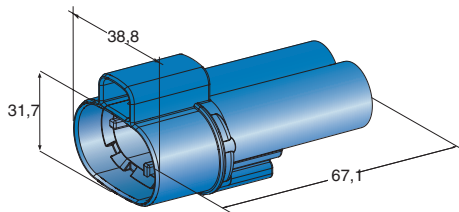


F800

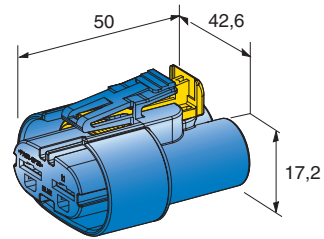
0300395
0300398

IMG 1 2 1

2-WAY POWER WATER PROOF



1



2

IMG	DESCRIPTION	WAY	MATERIAL	COLOUR		P/N BULK	M.O.Q.
1	MALE HOLDER	2	PA66 GF30	Blue		4540210	600
	MALE HOLDER	2	PA66 GF30	Green		4540211	700
	MALE HOLDER	2	PA66 GF30	Black		4540212	600
2	FEMALE HOLDER WITH GASKET	2	PA66 GF30	Blue		4540110	500
	FEMALE HOLDER WITH GASKET	2	PA66 GF30	Green		4540111	500
	FEMALE HOLDER WITH GASKET	2	PA66 GF30	Black		4540112	500
	FEMALE HOLDER WITH GASKET	2	PA66 GF30	Grey		4540113	500

CONNECTIONS AND FIXINGS



WP M 800



WP F 800

0300395
0300398

IMG 1 2 1

2, 3, 4 - WAY POWER WATER PROOF

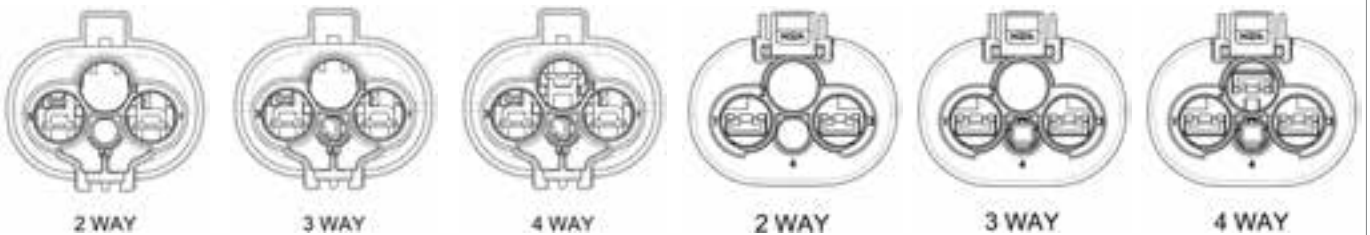


1


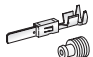




2

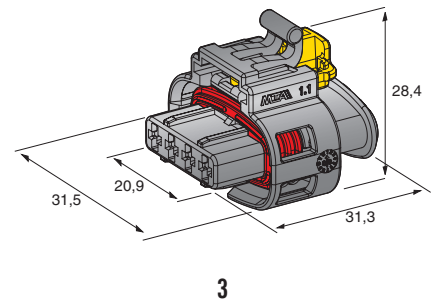
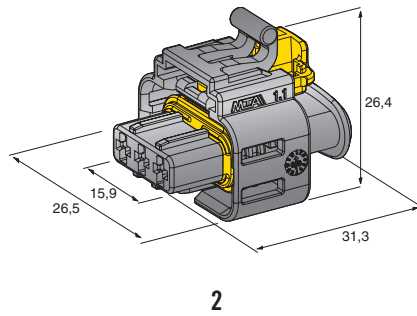
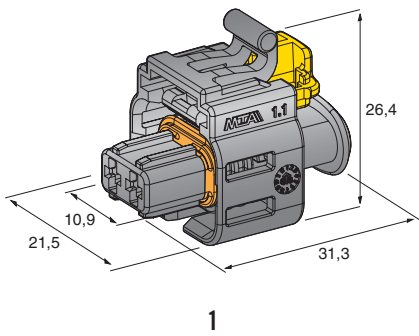
IMG	DESCRIPTION	WAY	MATERIAL	COLOUR		P/N BULK	M.O.Q.
1	MALE HOLDER	2	PA66 GF30	■ Black		4551900	500
	MALE HOLDER	3	PA66 GF30	■ Black		4540817	1200
	MALE HOLDER	4	PA66 GF30	■ Black		4551899	500
2	FEMALE HOLDER WITH GASKET	2	PA66 GF30	■ Black		4551898	500
	FEMALE HOLDER WITH GASKET	3	PA66 GF30	■ Black		4540816	1200
	FEMALE HOLDER WITH GASKET	4	PA66 GF30	■ Black		4551897	500



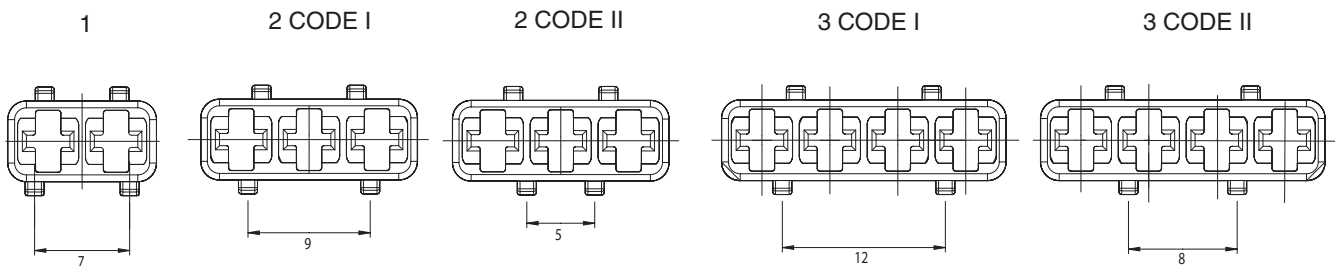
CONNECTIONS AND FIXINGS

			
M630 WP	JPT WP M280	F630 WP	F280 WP
IMG 1 (2-3-4 - WAY)	1 (3-4 - WAY)	2 (2-3-4 - WAY)	2 (3-4 - WAY)

HP6 2,3 & 4-WAY



IMG	DESCRIPTION	WAY	MATERIAL	COLOUR	P/N BOX	M.O.Q.	P/N BULK	M.O.Q.
1	FEMALE HOLDER	2	PA66 GF30	■ Black	4410840	250	4510840	2500
2	FEMALE HOLDER CODE I	3	PA66 GF30	■ Black	4410881	250	4510881	2000
	FEMALE HOLDER CODE II	3	PA66 GF30	■ Black	4410880	250	4510880	2000
3	FEMALE HOLDER CODE I	4	PA66 GF30	■ Black	4410891	250	4510891	1600
	FEMALE HOLDER CODE II	4	PA66 GF30	■ Black	4410890	250	4510890	1600

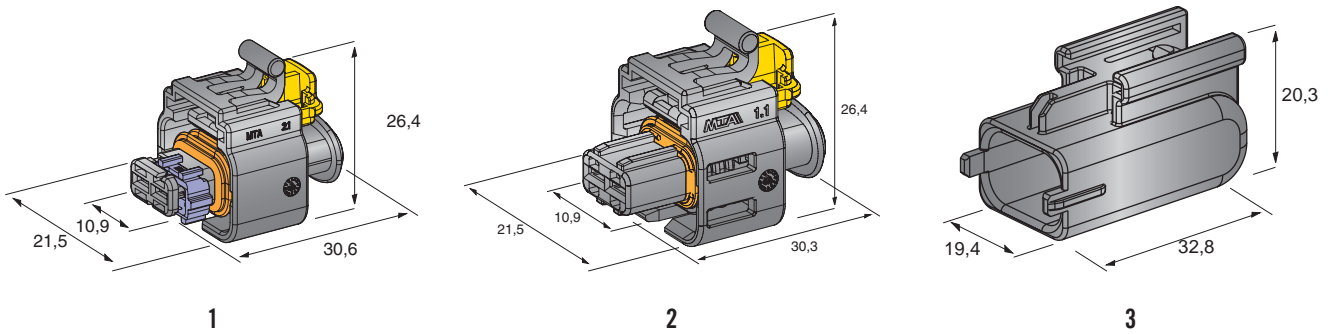


CONNECTIONS AND FIXINGS

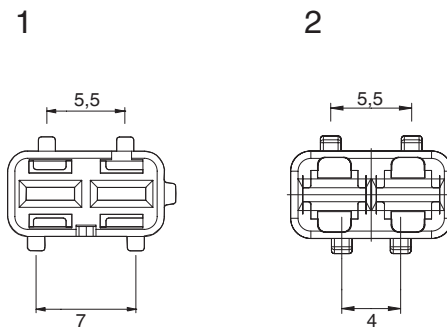


IMG 1+2+3

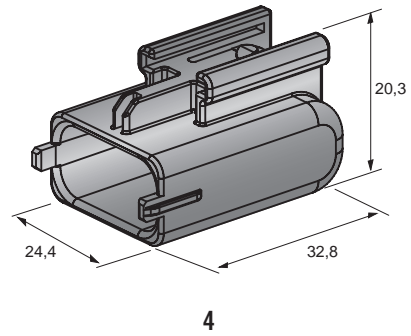
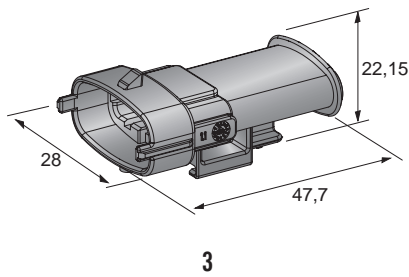
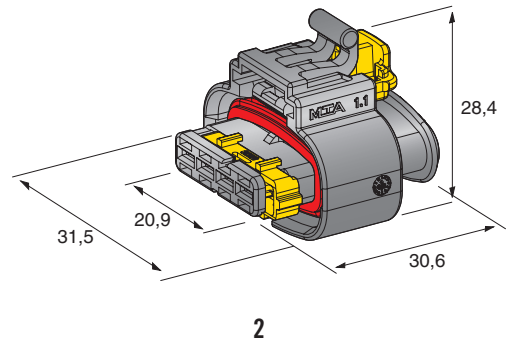
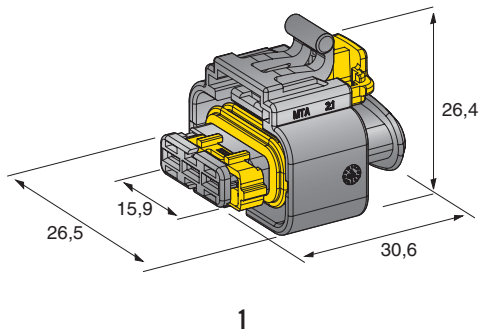
C 280 2-WAY



IMG	DESCRIPTION	WAY	MATERIAL	COLOUR	S.LOCK COLOUR	P/N BOX	M.O.Q.	P/N BULK	M.O.Q.
1	F. HOLDER FOR BDK & BSK TERMINALS	2	PA66 GF30	■ Black	■ Violet	4410801	250	4510801	2500
2	F. HOLDER FOR JPT TERMINALS	2	PA66 GF30	■ Black		4410830	250	4510830	2500
3	CAP FOR CONNECTORS 4510801/830	2	PA66 GF30	■ Black				4510802	3000

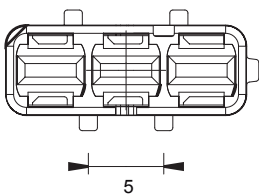


C 280 3&4-WAY

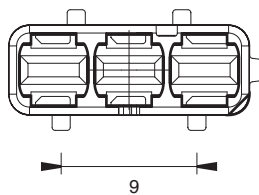


IMG	DESCRIPTION	WAY	MATERIAL	COLOUR	S.LOCK COLOUR	P/N BOX	M.O.Q.	P/N BULK	M.O.Q.
1	F. HOLDER FOR BDK & BSK TERMINALS	3	PA66 GF30	Black	Yellow	4410810	250	4510810	2000
	F. HOLDER FOR BDK & BSK TERMINALS	3	PA66 GF30	Black	Violet	4410811	250	4510811	2000
2	F. HOLDER FOR BDK & BSK TERMINALS	4	PA66 GF30	Black	Yellow	4410820	250	4510820	1600
	F. HOLDER FOR BDK & BSK TERMINALS	4	PA66 GF30	Black	Violet	4410821	250	4510821	1600
3	MALE HOLDER FOR 4510821	4	PA66 GF30	Black		4410921	250	4510921	2000
4	CAP FOR CONNECTORS 4510810/811	3	PA66 GF30	Black				4510812	2800

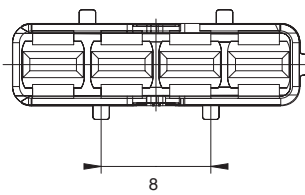
1 YELLOW



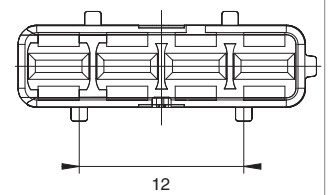
1 VIOLET



2 YELLOW



2 VIOLET



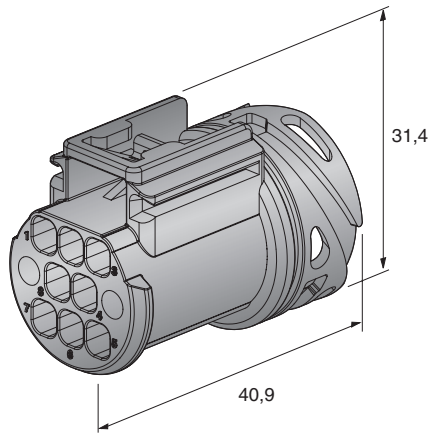
CONNECTIONS AND FIXINGS



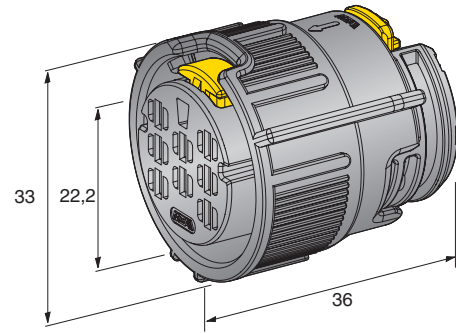
0300489

IMG 3

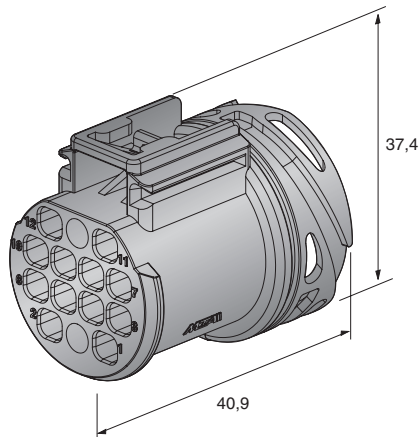
RC 280 8 & 12-WAY



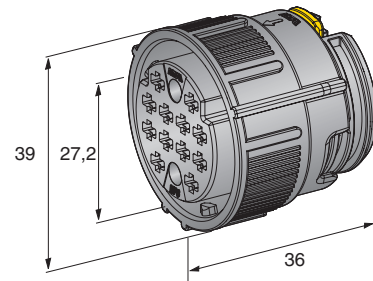
1



2



3



4

IMG	DESCRIPTION	WAY	MATERIAL	COLOUR	P/N BOX	M.O.Q.	P/N BULK	M.O.Q.
1	MALE HOLDER FOR TABS 2,8 x 0,8	8	PA66 GF30	■ Black	4410970	20	4510970	500
2	FEMALE HOLDER FOR BDK & BSK TERMINALS	8	PA66 GF30	■ Black	4410870	20	4510870	120
3	MALE HOLDER FOR TABS 2,8 x 0,8	12	PA66 GF30	■ Black			4510975	350
4	FEMALE HOLDER FOR HP6 TERMINALS	12	PA66 GF30	■ Black			4510875	350

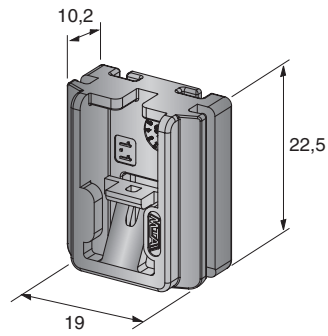
CONNECTIONS AND FIXINGS



HP6 280

IMG 4

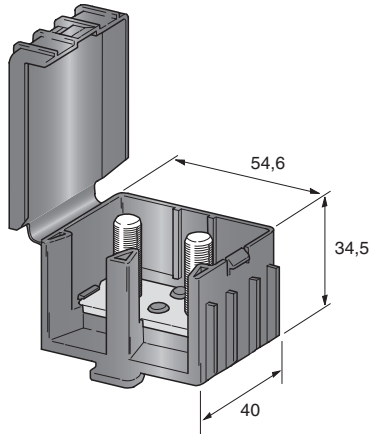
ADAPTERS



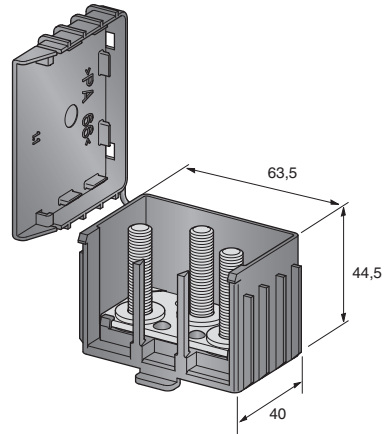
1

IMG	DESCRIPTION	MATERIAL	COLOUR		P/N BULK	M.O.Q.
1	ADAPTER FOR 4510921	PA66 GF30	■ Black		0300489	2500

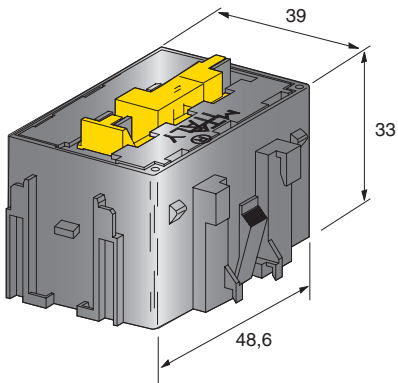
JOINT



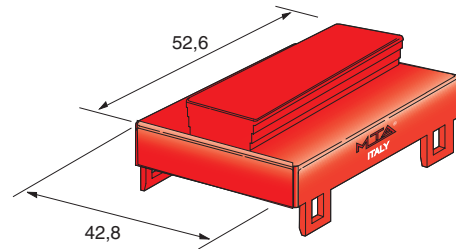
1



2



3



4

IMG	DESCRIPTION	SCREW	WAY	MATERIAL	COLOUR	P/N BOX	M.O.Q.	P/N BULK	M.O.Q.
1	BRANCH KNOT M 88	M 88	2	PA66	Black	4441100	1	4541100	100
2	BRANCH KNOT M 888	M 888	3	PA66	Black	4441200	1	4541200	100
	BRANCH KNOT M 666	M 666	3	PA66	Black			4541202	100
	BRANCH KNOT M 555	M 555	3	PA66	Black			4541201	100
3	HOUSING WITH TERMINALS		6	PA66 GF25	Black			4540601	400
4	COVER FOR HOUSING 6 WAY			PA66	Red			4540602	200
	KIT HOUSING 6 WAY+ COVER					4440600	1		

BULK PACKING SUPPLIED WITHOUT NUTS

CONNECTIONS AND FIXINGS



0300392



0300430



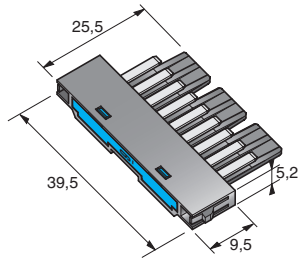
0300440



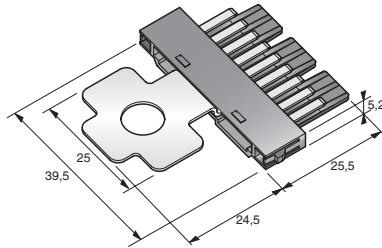
4540105

IMG	3	3	3	3
-----	---	---	---	---

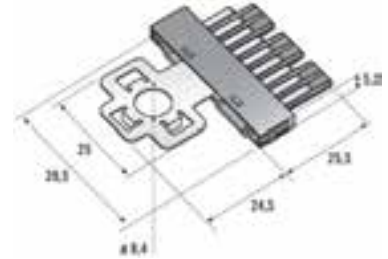
JOINT 9-WAY



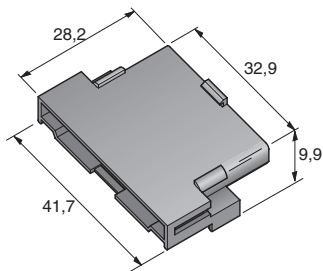
1



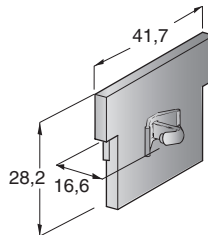
2



3



4



5

IMG	DESCRIPTION	WAY	MATERIAL	COLOUR	COVER COLOUR	P/N BOX	M.O.Q.	P/N BULK	M.O.Q.
1	MALE HOLDER	9	PA66 GF13	Black	Blue	4410610	10	4551610	2500
	MALE HOLDER	6+3	PA66 GF13	Black	Yellow				
	MALE HOLDER	5+4	PA66 GF13	Black	Red				
	MALE HOLDER	3+3+3	PA66 GF13	Black	Green				
2	EARTH MALE HOLDER	9	PA66 GF13	Black				4551614	2000
3	EARTH MALE HOLDER TCK 12S	9	PA66 GF13	Black				4551615	2000
4	FEMALE HOLDER	9	PBT	Black		4410605	10	4551605	2500
	FEMALE HOLDER	9	PBT	Blue					
	FEMALE HOLDER	9	PBT	Green					
5	FIXING PLATE		PA66	Black				0300397	1000

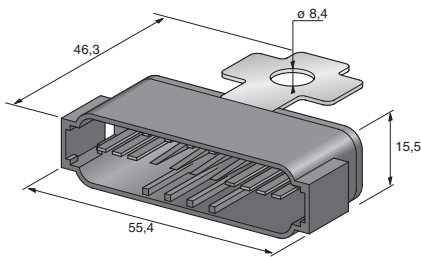
CONNECTIONS AND FIXINGS



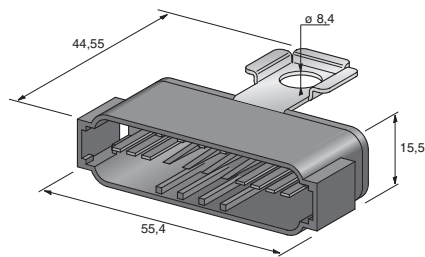
070 SERIES

IMG 4

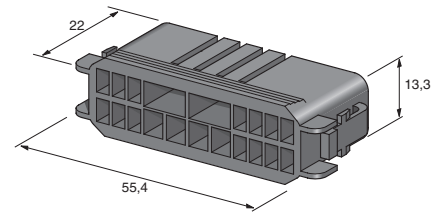
JOINT 18-WAY



1



2



3

IMG	DESCRIPTION	WAY	MATERIAL	COLOUR	P/N BULK	M.O.Q.
1	EARTH MALE HOLDER	18	PA66 GF30	■ Black	4510125	300
2	EARTH MALE HOLDER TCK 12S	18	PA66 GF30	■ Black	4510135	300
3	FEMALE HOLDER	18	PA66 GF30	■ Black	4510120	1500

CONNECTIONS AND FIXINGS



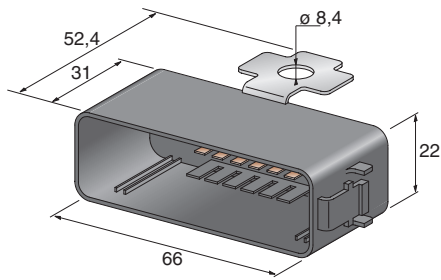
JPT



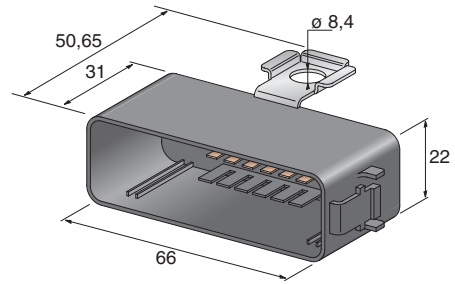
070 NG SERIES

IMG	3	3
-----	---	---

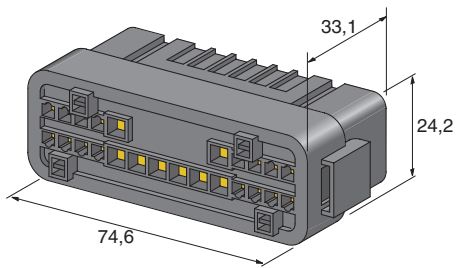
JOINT 24-WAY



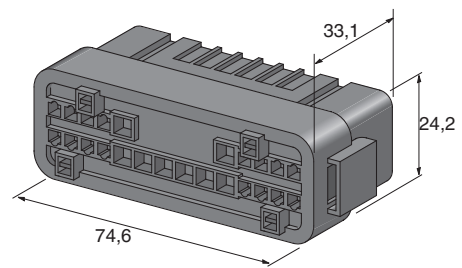
1



2



3



4

IMG	DESCRIPTION	WAY	MATERIAL	COLOUR		P/N BULK	M.O.Q.
1	EARTH MALE HOLDER W.P.	24	PA66 GF30	■ Black		4510115	600
2	EARTH MALE HOLDER TCK 12S	24	PA66 GF30	■ Black		4510130	600
3	FEMALE HOLDER W.P.	24	PA66 GF30	■ Black		4510110	400
4	FEMALE HOLDER	24	PA66 GF30	■ Black		4510145	600

CONNECTIONS AND FIXINGS



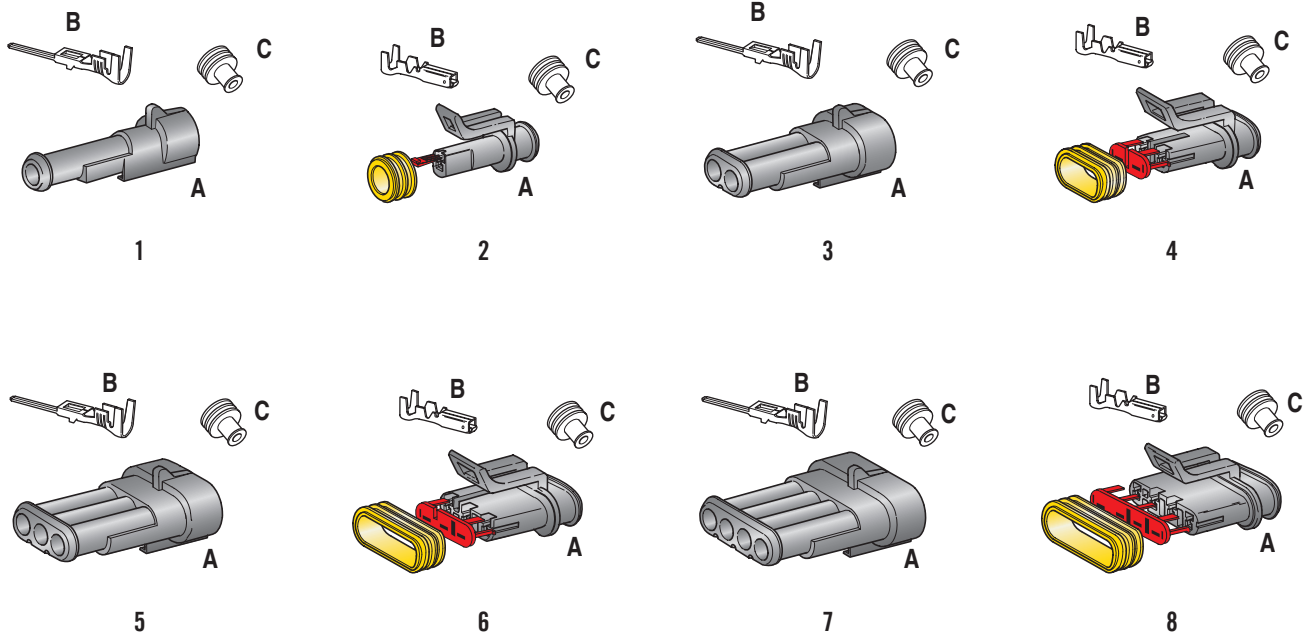
SICMA



CARALARM

IMG 3+4 3+4

SUPERSEAL 1,5



IMG	DESCRIPTION	WAY	MATERIAL	COLOUR	P/N BOX	M.O.Q.
1	S-SEAL 1,5 MALE HOLDER	1	PA 66	Black	4423610	10
	KIT A+B+C	1	PA 66		3050123	1
2	S-SEAL 1,5 FEMALE HOLDER	1	PA 66	Black	4423620	10
	KIT A+B+C	1	PA 66		3050124	1
3	S-SEAL 1,5 MALE HOLDER	2	PA 66	Black	4423630	10
	KIT A+B+C	2	PA 66		3050125	1
4	S-SEAL 1,5 FEMALE HOLDER	2	PA 66	Black	4423640	10
	KIT A+B+C	2	PA 66		3050126	1
5	S-SEAL 1,5 MALE HOLDER	3	PA 66	Black	4423650	10
	KIT A+B+C	3	PA 66		3050127	1
6	S-SEAL 1,5 FEMALE HOLDER	3	PA 66	Black	4423660	10
	KIT A+B+C	3	PA 66		3050128	1
7	S-SEAL 1,5 MALE HOLDER	4	PA 66	Black	4423670	10
	KIT A+B+C	4	PA 66		3050129	1
8	S-SEAL 1,5 FEMALE HOLDER	4	PA 66	Black	4423680	10
	KIT A+B+C	4	PA 66		3050130	1

CONNECTIONS AND FIXINGS

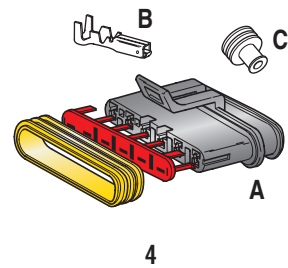
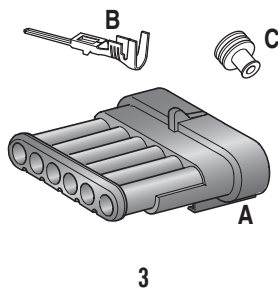
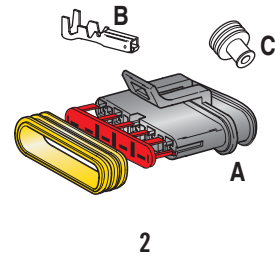
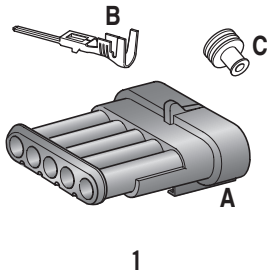


S-SEAL M150

S-SEAL F150

IMG 1+3+5+7 2+4+6+8

SUPERSEAL 1,5



IMG	DESCRIPTION	WAY	MATERIAL	COLOUR	P/N BOX	M.O.Q.
1	S-SEAL 1,5 MALE HOLDER	5	PA 66	■ Black	4423690	10
	KIT A+B+C	5	PA 66		3050131	1
2	S-SEAL 1,5 FEMALE HOLDER	5	PA 66	■ Black	4423700	10
	KIT A+B+C	5	PA 66		3050132	1
3	S-SEAL 1,5 MALE HOLDER	6	PA 66	■ Black	4423710	10
	KIT A+B+C	6	PA 66		3050133	1
4	S-SEAL 1,5 FEMALE HOLDER	6	PA 66	■ Black	4423720	10
	KIT A+B+C	6	PA 66		3050134	1

CONNECTIONS AND FIXINGS



S-SEAL M150

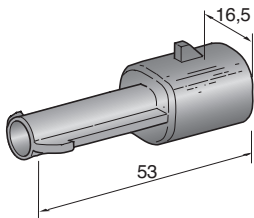


S-SEAL F150

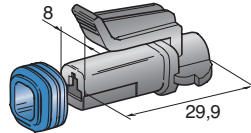
IMG 1+3

2+4

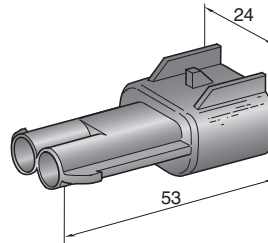
SEAL 2,8 & 6,3



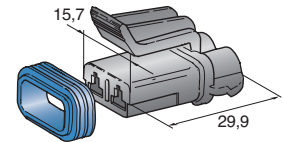
1



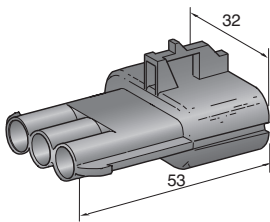
2



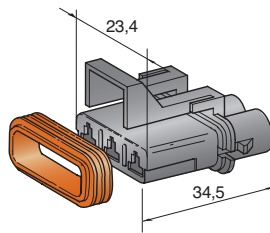
3



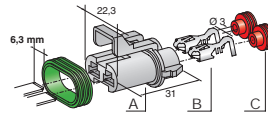
4



5



6



7

IMG	DESCRIPTION	WAY	MATERIAL	COLOUR	P/N BOX	M.O.Q.
1	SEAL 2,8 MALE HOLDER	1	PA 66	■ Black	4423520	5
2	SEAL 2,8 FEMALE HOLDER	1	PA 66	■ Black	4423510	5
3	SEAL 2,8 MALE HOLDER	2	PA 66	■ Black	4423540	5
4	SEAL 2,8 FEMALE HOLDER	2	PA 66	■ Black	4423530	5
5	SEAL 2,8 MALE HOLDER	3	PA 66	■ Black	4423560	5
6	SEAL 2,8 FEMALE HOLDER	3	PA 66	■ Black	4423550	5
7	KIT SEAL 6,3 FEMALE HOLDER WITH TERMINALS AND GASKET	2	PA 66	■ Black	4433800	1

CONNECTIONS AND FIXINGS



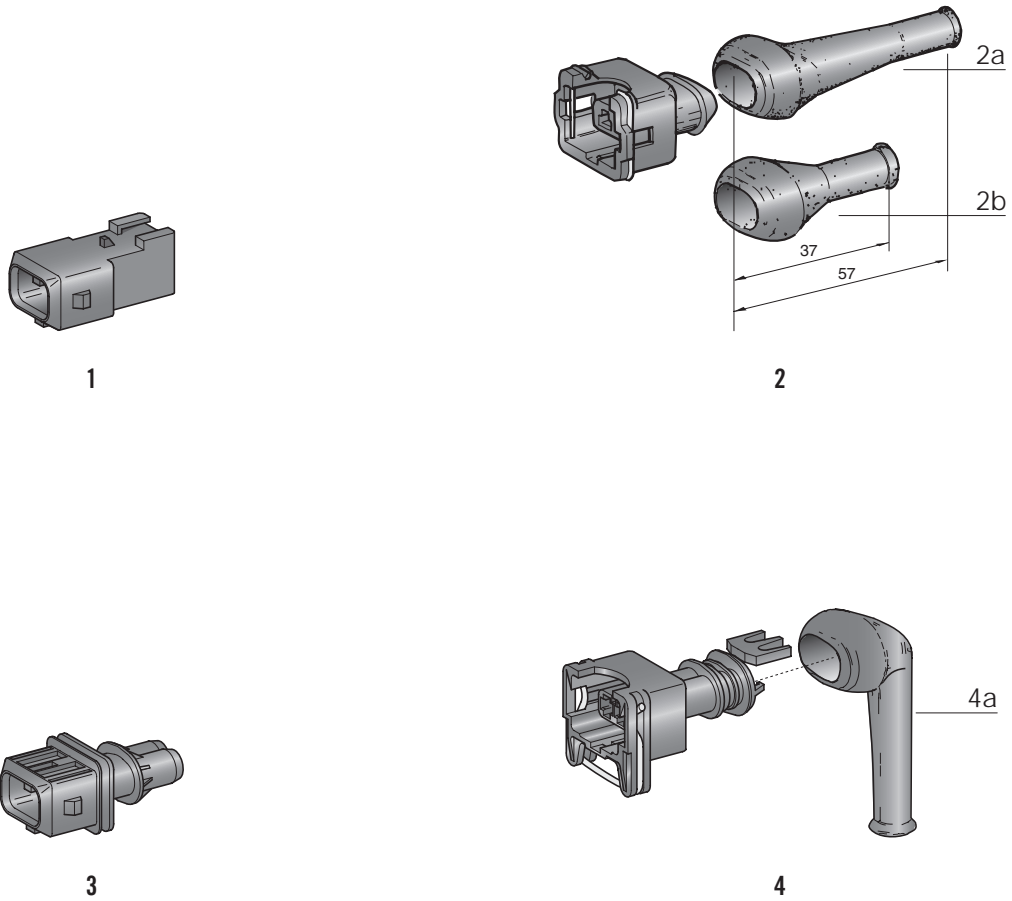
METRIPACK M280



METRIPACK F280

IMG	1+3+5	2+4+6
-----	-------	-------

J.T.& J.P.T.



IMG	DESCRIPTION	WAY	MATERIAL	COLOUR	P/N BOX	M.O.Q.	P/N BULK	M.O.Q.
1	CONNECTOR JT	2	PA	Black	4410660	10		
2	CONNECTOR JT	2	PA	Black	4420900	10	4520900	500
2a	COVER		RUBBER	Black	4420901	10	4520901	500
2b	COVER		RUBBER	Black	4420902	10	4520902	500
3	CONNECTOR JPT	2	PA	Black	4410661	10		
4	CONNECTOR JPT	2	PA	Black	4420910	10	4520910	500
4a	COVER		RUBBER	Black	4420911	10	4520911	500

CONNECTIONS AND FIXINGS



JT M280



JT F280



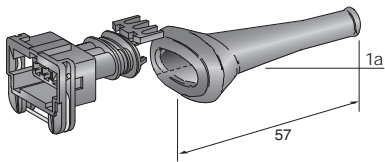
JPT WP M280



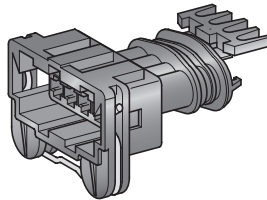
JPT WP F280

IMG	1	2	3	4
-----	---	---	---	---

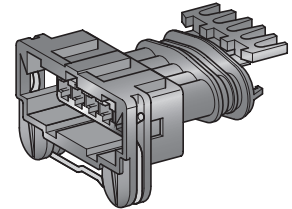
J.T.& J.P.T.



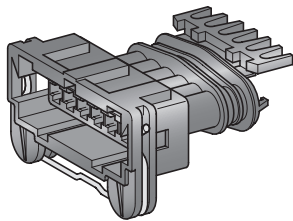
1



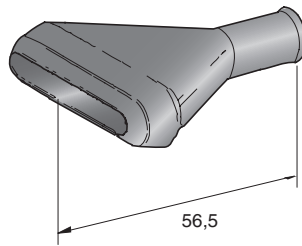
2



3



4



5

IMG	DESCRIPTION	WAY	MATERIAL	COLOUR	P/N BOX	M.O.Q.	P/N BULK	M.O.Q.
1	CONNECTOR JPT	3	PA	■ Black	4420920	10		
1a	COVER		RUBBER	■ Black	4420921	10	4520921	500
2	CONNECTOR JPT	4	PA	■ Black	4410655	10		
3	CONNECTOR JPT	5	PA	■ Black	4410656	10		
4	CONNECTOR JPT	6	PA	■ Black	4410657	10		
5	COVER	7	RUBBER	■ Black	4420931	5	4520931	500

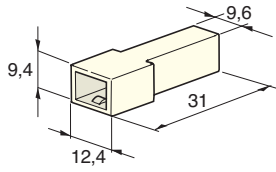
CONNECTIONS AND FIXINGS



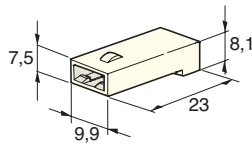
JPT WP F280

IMG 1+2-3+4

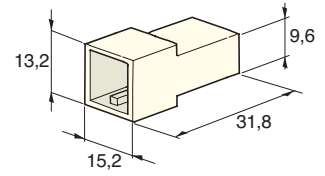
MULTIPLE 6,3



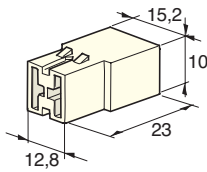
1



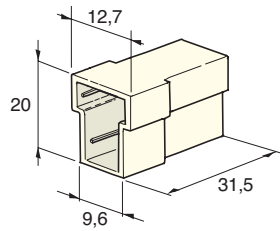
2



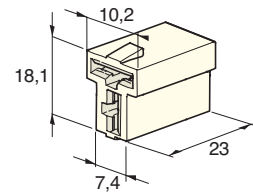
3



4



5



6

IMG	DESCRIPTION	WAY	MATERIAL	COLOUR	P/N BOX	M.O.Q.	P/N BULK	M.O.Q.
1	MALE HOLDER	1	PA	<input type="checkbox"/> Neutral	4410150	100	4510150	2500
2	FEMALE HOLDER	1	PA	<input type="checkbox"/> Neutral	4410160	100	4510160	2500
3	MALE HOLDER	2	PA	<input type="checkbox"/> Neutral	4410170	50	4510170	2500
4	FEMALE HOLDER	2	PA	<input type="checkbox"/> Neutral	4410180	50	4510180	2500
5	MALE HOLDER	2	PA	<input type="checkbox"/> Neutral	4410190	50	4510190	2500
6	FEMALE HOLDER	2	PA	<input type="checkbox"/> Neutral	4410200	50	4510200	2500

CONNECTIONS AND FIXINGS



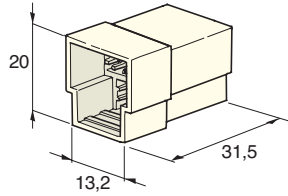
FASTON M630
W/LOCK.NOTCH



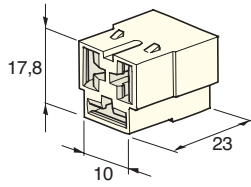
FASTON F630
W/LOCK.NOTCH

IMG 1+3+5 2+4+6

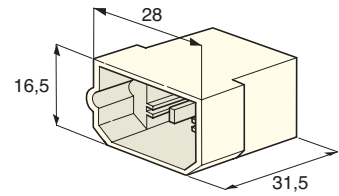
MULTIPLE 6,3



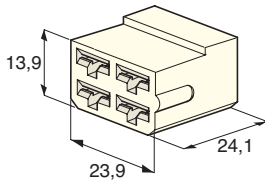
1



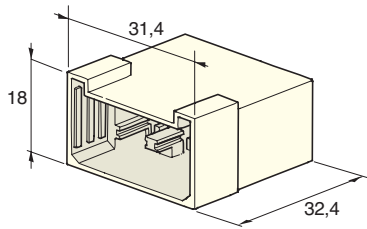
2



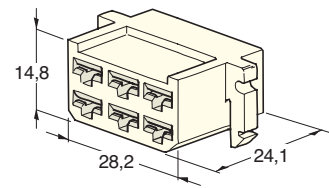
3



4



5



6

IMG	DESCRIPTION	WAY	MATERIAL	COLOUR	P/N BOX	M.O.Q.	P/N BULK	M.O.Q.
1	MALE HOLDER	3	PA	<input type="checkbox"/> Neutral	4410210	50	4510210	2500
2	FEMALE HOLDER	3	PA	<input type="checkbox"/> Neutral	4410220	50	4510220	2500
3	MALE HOLDER	4	PA	<input type="checkbox"/> Neutral	4410230	25	4510230	2500
4	FEMALE HOLDER	4	PA	<input type="checkbox"/> Neutral	4410240	25	4510240	2500
5	MALE HOLDER	6	PA	<input type="checkbox"/> Neutral	4410250	25	4510250	1000
6	FEMALE HOLDER	6	PA	<input type="checkbox"/> Neutral	4410260	25	4510260	1000

CONNECTIONS AND FIXINGS



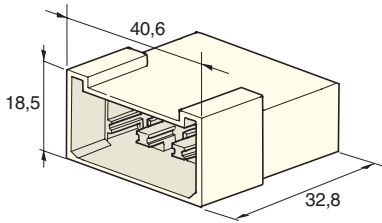
FASTON M630
W/LOCK.NOTCH



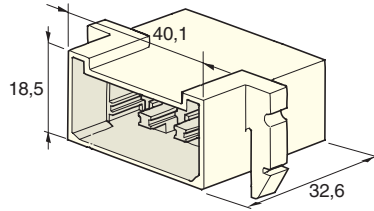
FASTON F630
W/LOCK.NOTCH

IMG	1+3+5	2+4+6
-----	-------	-------

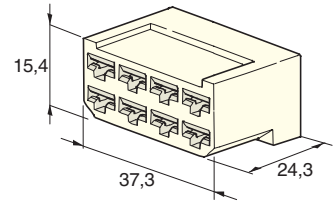
MULTIPLE 6,3



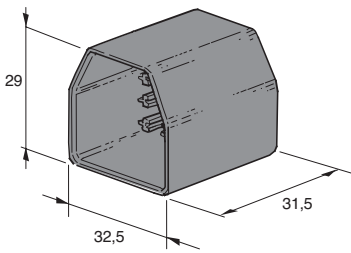
1



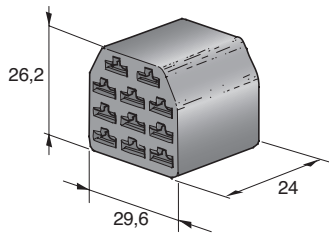
2



3



4



5

IMG	DESCRIPTION	WAY	MATERIAL	COLOUR	P/N BOX	M.O.Q.	P/N BULK	M.O.Q.
1	MALE HOLDER	8	PA	☐ Neutral	4410270	20	4510270	1000
2	MALE HOLDER	8	PA	☐ Neutral	4410290	10	4510290	1000
3	FEMALE HOLDER	8	PA	☐ Neutral	4410280	20	4510280	1000
4	MALE HOLDER	11	PA	■ Black	4410295	20	4510295	150
5	FEMALE HOLDER	11	PA	■ Black	4410296	20	4510296	250

CONNECTIONS AND FIXINGS



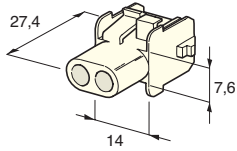
FASTON M630
W/LOCK.NOTCH



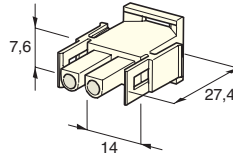
FASTON F630
W/LOCK.NOTCH

IMG 1+2+4 3+5

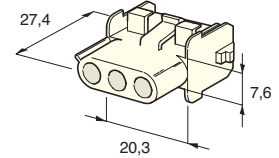
MATE-N-LOCK



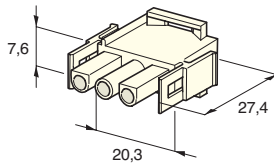
1



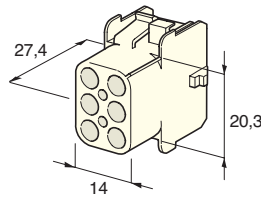
2



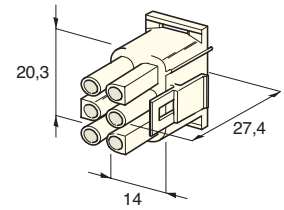
3



4



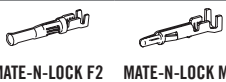
5



6

IMG	DESCRIPTION	WAY	MATERIAL	COLOUR		P/N BOX	M.O.Q.
1	MALE/FEMALE HOLDER	2	PA	<input type="checkbox"/> Neutral		4426040	10
2	MALE/FEMALE HOLDER	2	PA	<input type="checkbox"/> Neutral		4426030	10
3	MALE/FEMALE HOLDER	3	PA	<input type="checkbox"/> Neutral		4426060	10
4	MALE/FEMALE HOLDER	3	PA	<input type="checkbox"/> Neutral		4426050	10
5	MALE/FEMALE HOLDER	6	PA	<input type="checkbox"/> Neutral		4426120	10
6	MALE/FEMALE HOLDER	6	PA	<input type="checkbox"/> Neutral		4426110	10

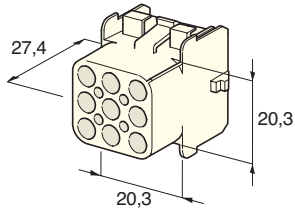
CONNECTIONS AND FIXINGS



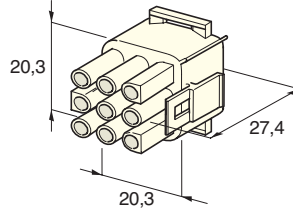
MATE-N-LOCK F2 MATE-N-LOCK M2

IMG 1+2+3+4+5+6 1+2+3+4+5+6

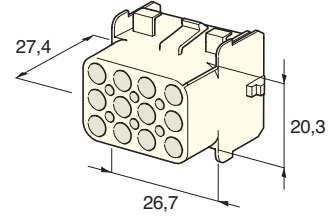
MATE-N-LOCK



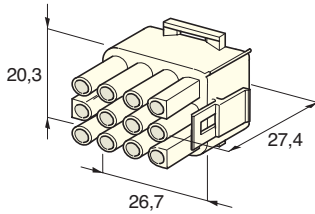
1



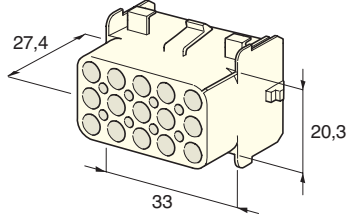
2



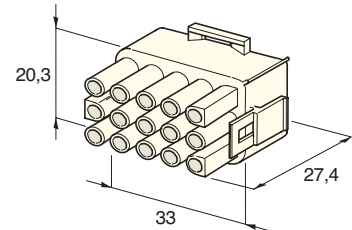
3



4



5



6

IMG	DESCRIPTION	WAY	MATERIAL	COLOUR		P/N BOX	M.O.Q.
1	MALE/FEMALE HOLDER	9	PA	<input type="checkbox"/> Neutral		4426140	10
2	MALE/FEMALE HOLDER	9	PA	<input type="checkbox"/> Neutral		4426130	10
3	MALE/FEMALE HOLDER	12	PA	<input type="checkbox"/> Neutral		4426160	10
4	MALE/FEMALE HOLDER	12	PA	<input type="checkbox"/> Neutral		4426150	10
5	MALE/FEMALE HOLDER	15	PA	<input type="checkbox"/> Neutral		4426180	10
6	MALE/FEMALE HOLDER	15	PA	<input type="checkbox"/> Neutral		4426170	10

CONNECTIONS AND FIXINGS



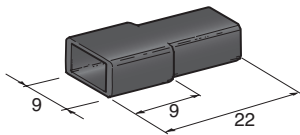
MATE-N-LOCK F2



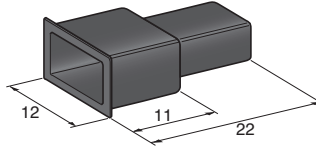
MATE-N-LOCK M2

IMG 1+2+3+4+5+6 1+2+3+4+5+6

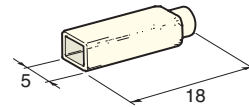
TERMINAL COVERS



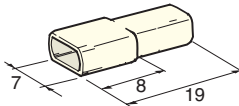
1



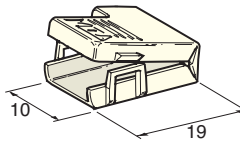
2



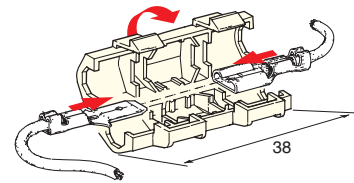
3



4



5



6

IMG	DESCRIPTION	MATERIAL	COLOUR	P/N BOX	M.O.Q.	P/N BULK	M.O.Q.
1	FEMALE 6,3 COVER	PE	Black	4410070	200	4510070	20000
	FEMALE 6,3 COVER	PE	Yellow	4410072	200		
	FEMALE 6,3 COVER	PE	Blue	4410073	200		
	FEMALE 6,3 COVER	PE	Red	4410074	200		
	FEMALE 6,3 COVER	PE	Neutral	4410076	200		
2	MALE 6,3 COVER	PE	Black	4410080	200	4510080	20000
	MALE 6,3 COVER	PE	Yellow	4410082	200		
	MALE 6,3 COVER	PE	Red	4410084	200		
	MALE 6,3 COVER	PE	Neutral	4410086	200		
3	FEMALE 2,8 COVER	PE	Neutral	4410065	200		
4	FEMALE 4,8 COVER	PE	Neutral	4410068	200		
5	FLAG 6,3 COVER	PA	Neutral	4410060	200		
6	FASTON 6,3 COVER	PA	Neutral	4410083	50		

CONNECTIONS AND FIXINGS



FASTON F630



FASTON M630



FASTON F280



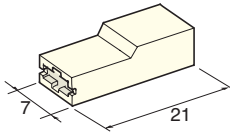
FASTON F480



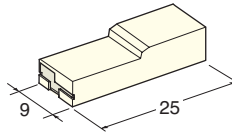
FASTON F630 FLAG

IMG	1+6	2+6	3	4	5
-----	-----	-----	---	---	---

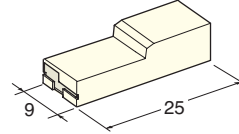
TERMINAL COVERS



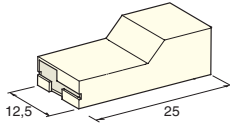
1



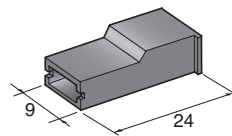
2



3



4



5

IMG	DESCRIPTION	MATERIAL	COLOUR	P/N BOX	M.O.Q.	P/N BULK	M.O.Q.
1	FEMALE 4,8 COVER	PA	<input type="checkbox"/> Neutral	4410062	200		
2	FEMALE 6,3 COVER	PA	<input type="checkbox"/> Neutral	4410077	200	4510077	20000
3	FEMALE 6,3 COVER	PA	<input type="checkbox"/> Neutral	4410078	200		
4	FEMALE 9,5 COVER	PA	<input type="checkbox"/> Neutral	4410079	50		
5	FEMALE 6,3 COVER	PA	<input checked="" type="checkbox"/> Black	4420800	50		

CONNECTIONS AND FIXINGS



FASTON F480



FASTON F630



FASTON F950



FASTON F630

IMG

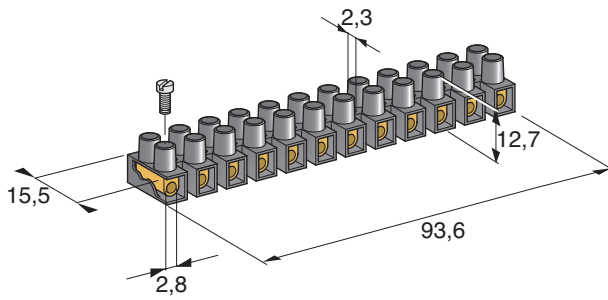
1

2+3

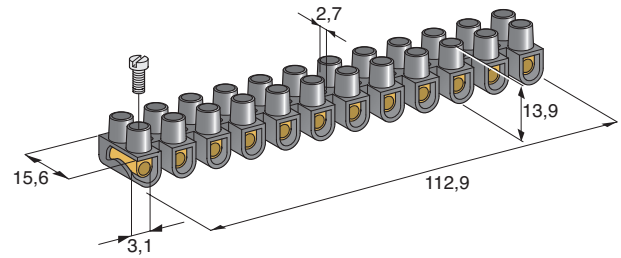
4

5

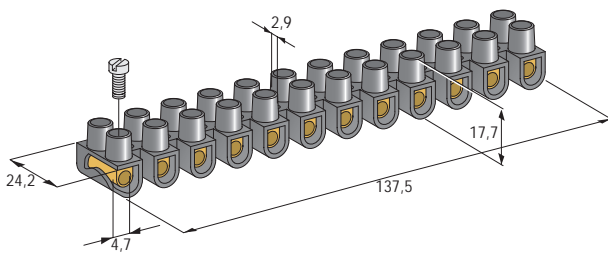
CONNECTOR STRIPS



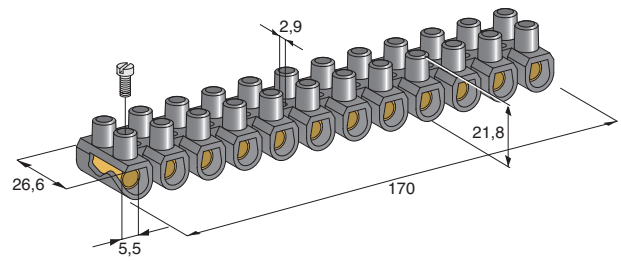
1



2



3

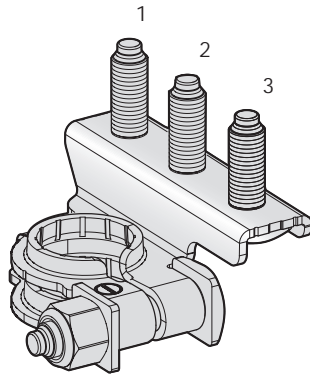


4

IMG	DESCRIPTION	WAY	MATERIAL	VOLT	In	OPERATION TEMP	CABLE SECTION mm ²	P/N BOX	M.O.Q.
1	CONNECTOR STRIP	12	PP Black	380	24A	85°C	2,5	4430100	10
2	CONNECTOR STRIP	12	PP Black	380	24A	85°C	6	4430110	10
3	CONNECTOR STRIP	12	PP Black	450	24A	85°C	12	4430120	10
4	CONNECTOR STRIP	12	PP Black	450	24A	85°C	16	4430130	10

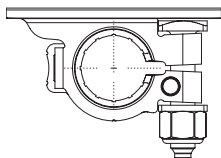
BATTERY TERMINALS

DOUBLE RING

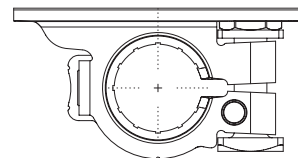


1

IMG	DESCRIPTION	POLARITY	SCREW 1	SCREW 2	SCREW 3	MATERIAL	MATERIAL THICKNESS mm	P/N BOX	M.O.Q.	P/N BULK	M.O.Q.
1	M686DX	+	M6	M8	M6	CuZn-Sn	1,5	1507701	10	1507700	200
	M686DX	-	M6	M8	M6	CuZn-Sn	1,5	1507704	10	1507705	200
	M686SX	+	M6	M8	M6	CuZn-Sn	1,5			1507720	200
	M666DX	+	M6	M6	M6	CuZn-Sn	1,5			1507703	200
	M666DX	-	M6	M6	M6	CuZn-Sn	1,5			1507707	200
	M666SX	+	M6	M6	M6	CuZn-Sn	1,5			1507708	200
	M666SX	-	M6	M6	M6	CuZn-Sn	1,5			1507736	200
	M668DX	+	M6	M6	M8	CuZn-Sn	1,5			1507710	200
	M080SX	+	/	M8	/	CuZn-Sn	1,5			1507760	200
	M606DX	+	M6	/	M6	CuZn-Sn	1,5			1507772	200
	M606SX	+	M6	/	M6	CuZn-Sn	1,5			1507771	200
	M680DX	-	M6	M8	/	CuZn-Sn	1,5			1507785	250
	M868DX	+	M8	M6	M8	CuZn-Sn	1,5			1507790	200
	M868SX	+	M8	M6	M8	CuZn-Sn	1,5			1508001	200
	M806DX	+	M8	/	M6	CuZn-Sn	1,5			1507795	200

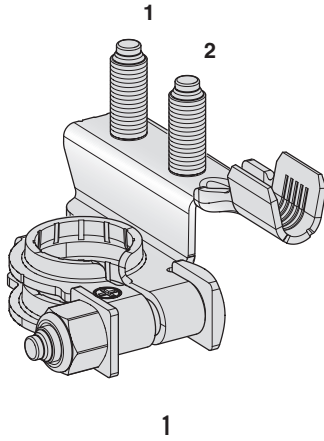


DX

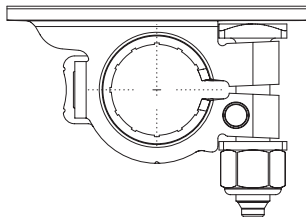


SX

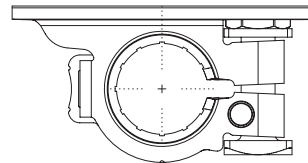
DOUBLE RING



IMG	DES.	POLARITY	SCREW 1	SCREW 2	WIRE SECTION mm ²	MATERIAL	MATERIAL THICKNESS mm	P/N BOX	M.O.Q.	P/N BULK	M.O.Q.
1	M66DX	+	M6	M6	10÷20	CuZn-Sn	1,3			1507800	200
	M06SX	+	/	M6	10÷20	CuZn-Sn	1,3			1507810	200
	M66DX	+	M6	M6	25÷40	CuZn-Sn	1,3	1507821	10	1507820	200
	M66DX	-	M6	M6	25÷40	CuZn-Sn	1,3			1507875	200
	M06SX	+	/	M6	25÷40	CuZn-Sn	1,3			1507830	200
	M66SX	-	M6	M6	25÷40	CuZn-Sn	1,3			1507885	200

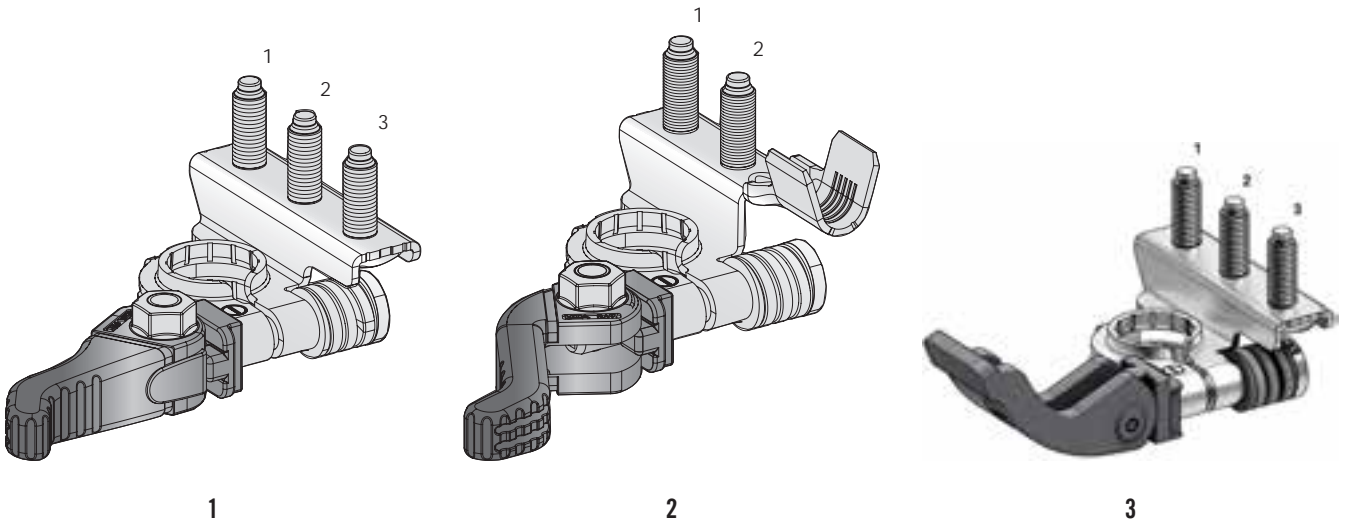


DX

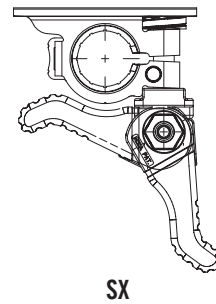
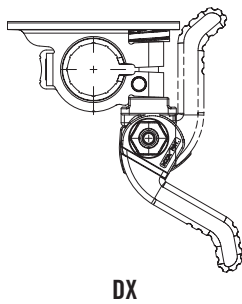


SX

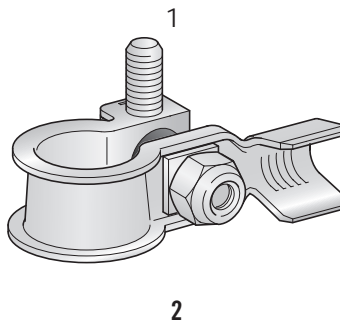
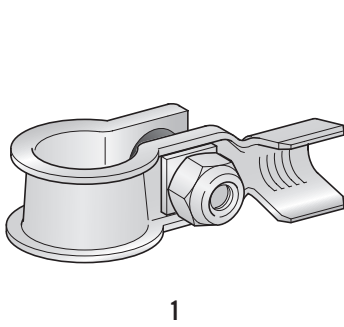
QUICK LOCK



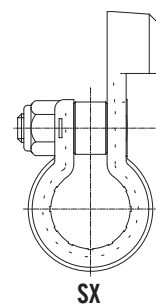
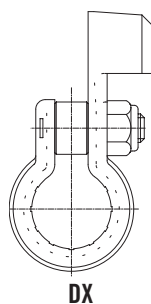
IMG.	DES.	POLARITY	SCREW 1	SCREW 2	SCREW 3	WIRE SECTION mm ²	MATERIAL	MATERIAL THICKNESS mm	P/N BOX	M.O.Q.	P/N BULK	M.O.Q.
1	M666SX	-	M6	M6	M6		CuZn-Sn	1,5	1507904	1	1507905	130
	M666SX	+	M6	M6	M6		CuZn-Sn	1,5			1507975	130
	M666DX	-	M6	M6	M6		CuZn-Sn	1,5	1507916	1	1507915	130
2	M66DX	-	M6	M6		10÷20	CuZn-Sn	1,3	1507926	1	1507925	130
	M66DX	-	M6	M6		25÷40	CuZn-Sn	1,3	1507956	1	1507955	130
	M60DX	-	M6			10÷20	CuZn-Sn	1,3			1507946	100
	M66DX	-	M6	M6		AWG1	CuZn-Sn	1,3			1507957	130
3	VQR	-	M6	M6	M6		CuZn33-Sn	1,5			1507601	TBD



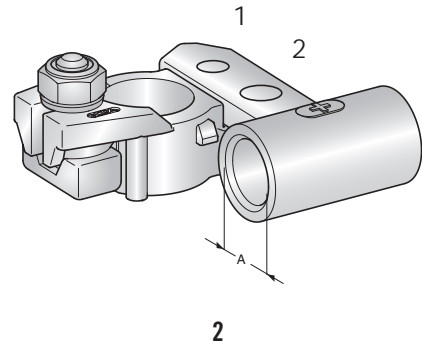
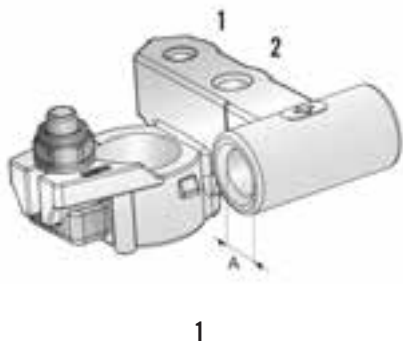
STRIP TYPE



IMG	DESCRIPTION	POLARITY	SCREW(1)	WIRE SECTION mm ²	MATERIAL	MATERIAL THICKNESS mm	P/N BOX	M.O.Q.	P/N BULK	M.O.Q.
1	STRIP DX	-		10÷20	CuZn-Sn	1,2	1506656	10	1506655	400
	STRIP DX	-		25÷40	CuZn-Sn	1,2	1506666	10	1506665	400
	STRIP SX	-		10÷20	CuZn-Sn	1,2			1506658	400
	STRIP SX	-		25÷40	CuZn-Sn	1,2			1506668	400
	STRIP DX	+		10÷20	CuZn-Sn	1,2	1506721	10	1506720	400
	STRIP DX	+		25÷40	CuZn-Sn	1,2	1506731	10	1506730	400
2	STRIP DX	-	M6	10÷20	CuZn-Sn	1,2			1506650	400
	STRIP DX	-	M6	25÷40	CuZn-Sn	1,2			1506660	400
3	STRIP DX	-	M8		CuZn-Sn	1,2			1506675	400
	STRIP SX	-	M8		CuZn-Sn	1,2			1506678	400

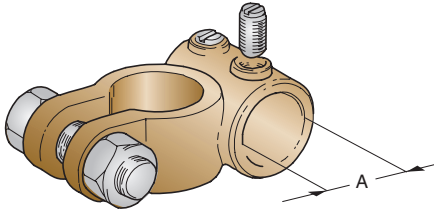


DIE CAST

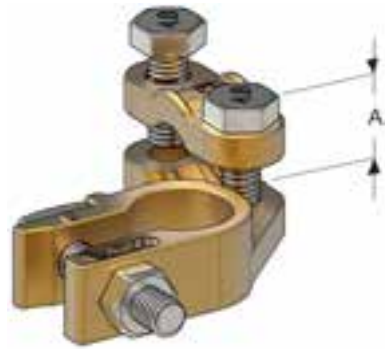


IMG	DESCRIPTION	POLARITY	SCREW 1	SCREW 2	MATERIAL	A mm ²	P/N BOX	M.O.Q.	P/N BULK	M.O.Q.
1	DIE CAST	+	M6	M8	BRASS Sn	50			1506765	70
2	DIE CAST	+	M6	M8	BRASS Sn	70	1506741	1	1506740	80
	DIE CAST	-	M6	M8	BRASS Sn	50	1506761	1	1506760	80

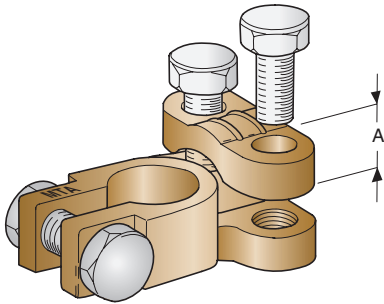
DIE CAST



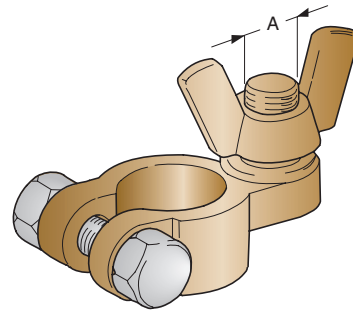
1



2



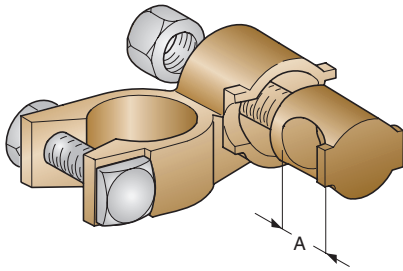
3



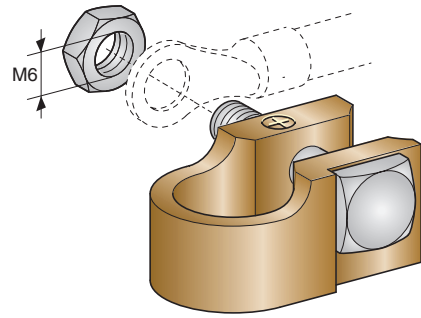
4

IMG	DESCRIPTION	POLARITY	MATERIAL	A mm ²	P/N BOX	M.O.Q.
1	DIE CAST	+	BRASS	50	1506060	25
	DIE CAST	-	BRASS	50	1506070	25
	DIE CAST	+	BRASS	70	1506080	25
	DIE CAST	-	BRASS	70	1506090	25
2	DIE CAST	+	BRASS	25÷50	1506100	25
	DIE CAST	-	BRASS	25÷50	1506110	25
3	DIE CAST	+	BRASS	25÷50	1506270	25
	DIE CAST	-	BRASS	25÷50	1506280	25
4	DIE CAST	+	BRASS	M10	1506120	25
	DIE CAST	-	BRASS	M8	1506130	25

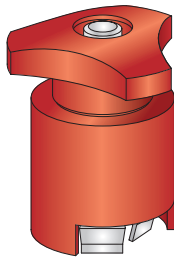
DIE CAST & FRENCH TYPES



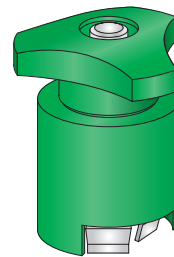
1



2



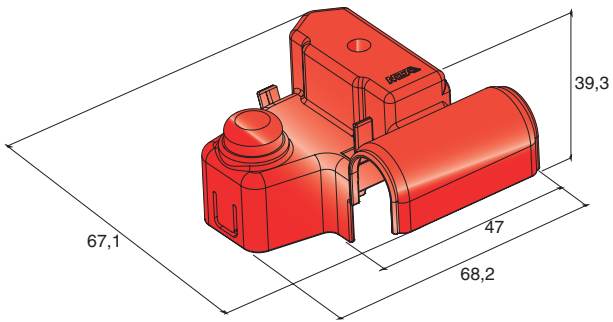
3



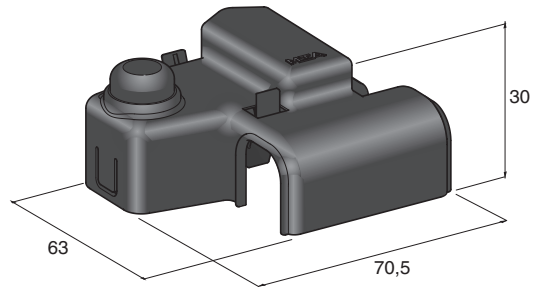
4

IMG	DESCRIPTION	POLARITY	WIRE SECTION mm ²	MATERIAL	P/N BOX	M.O.Q.
1	BATTERY TERMINAL	+	25	BRASS	1506250	25
	BATTERY TERMINAL	-	25	BRASS	1506260	25
2	BATTERY TERMINAL	+/-	-	BRASS	1506820	1+1
3	BATTERY TERMINAL	+	-	PE - NYLON	1506200	25
4	BATTERY TERMINAL	-	-	PE - NYLON	1506210	25

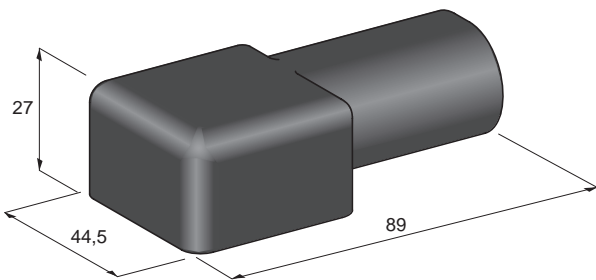
PROTECTION COVERS



1



2

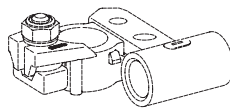


3

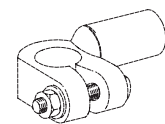
IMG	DESCRIPTION	POLARITY	MATERIAL	COLOUR	P/N BOX	M.O.Q.	P/N BULK	M.O.Q.
1	COVER FOR 1506765	+	PP	Red			4510499	500
2	COVER FOR 150674X	+	PP	Red	4410496	10	4510496	500
	COVER FOR 150676X	-	PP	Black			4510497	500
3	COVER		EPDM	Black	4410495	10		



1

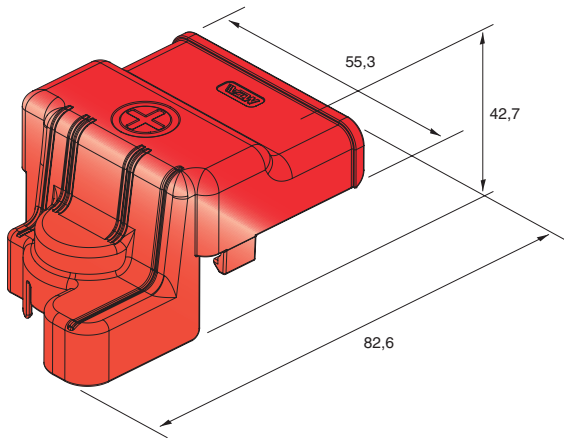


2

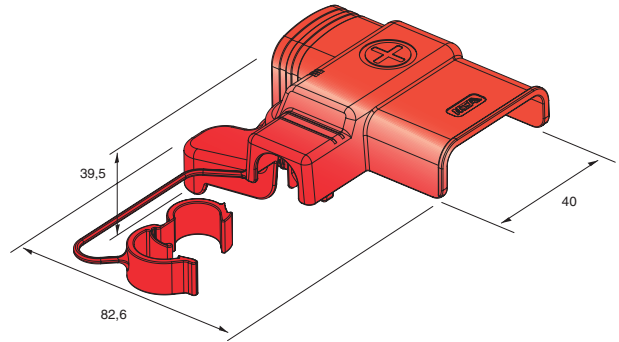


3

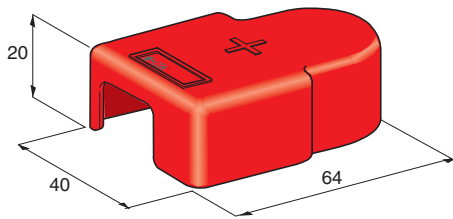
PROTECTION COVERS



1



2



3

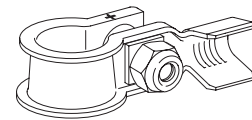
IMG	DESCRIPTION	POLARITY	MATERIAL	COLOUR	P/N BOX	M.O.Q.	P/N BULK	M.O.Q.
1	COVER FOR 15077XX	+	PP	Red			4510503	100
2	COVER FOR 15078XX	+	PP	Red			4510502	100
3	COVER FOR 1506720/21/30/31	+	PP	Red	4410480	10	4510480	500



1



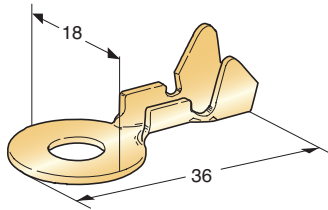
2



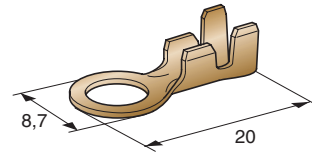
3

TERMINALS

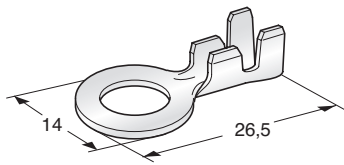
STANDARD RING



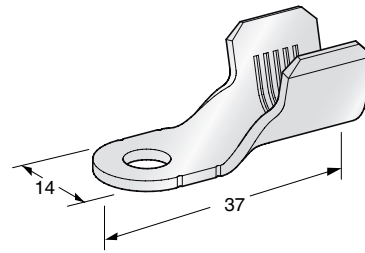
1



2



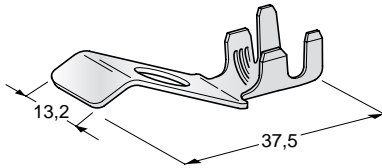
3



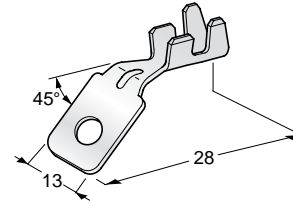
4

IMG	DESCRIPTION	SCREW	WIRE SECTION mm ²	MATERIAL	MATERIAL THICKNESS mm	P/N BOX	M.O.Q.	P/N BULK	M.O.Q.
1	UNI 679L35	M10	4÷6	CuZn	0,7	1602550	100		
2	STDL22	M4	1÷2,5	CuZn	0,6	1602970	100	1902970	5000
	STDL22	M5	1÷2,5	CuZn	0,6	1602980	100	1902980	5000
	STDL22	M6	1÷2,5	CuZn	0,6	1602981	100	1902981	5000
3	STDL26	M6	3÷6	CuZn	0,8	1602990	100		
	STDL26	M8	3÷6	CuZn	0,8	1603000	100		
4	STDL37	M6	25÷40	CuZn-Sn	1,5			1609000	2000

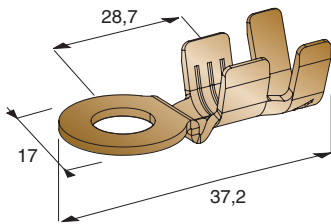
GROUND



1



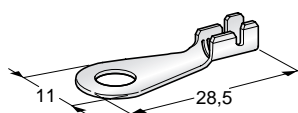
2



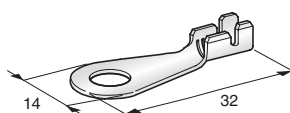
3

IMG	DESCRIPTION	SCREW	WIRE SECTION mm ²	MATERIAL	MATERIAL THICKNESS mm		P/N REEL	M.O.Q.
1	GND 188 TW25	M8	2,5÷4	CuZn-Sn	0,8		1708150	2400
2	GND 188 G45	M5	2,5÷6	CuZn-Sn	0,8		1708160	2400
3	GND L37M8	M8	10	CuZn	1,2		1793754	4000

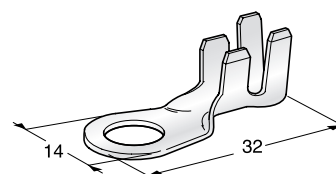
GROUND



1



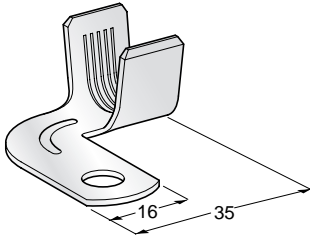
2



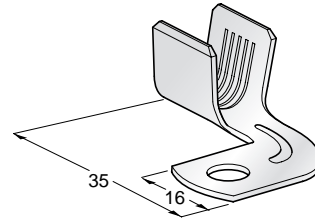
3

IMG	DESCRIPTION	SCREW	WIRE SECTION mm ²	MATERIAL	MATERIAL THICKNESS mm	P/N BOX	M.O.Q.	P/N REEL	M.O.Q.
1	GND	M5	0,5÷1,5	CuZn-Sn	0,6			1706740	12000
	GND FLY	M5	0,5÷1,5	CuZn-Sn	0,6			1706741	12000
2	GND	M6	1÷2,5	CuZn-Sn	0,8	1106720	100	1706720	6000
	GND	M6	4÷6	CuZn-Sn	0,8	1106700	100	1706700	4500
	GND	M6	8÷10	CuZn-Sn	0,8	1106750	100	1706750	2400
	GND	M8	1÷2,5	CuZn-Sn	0,8	1106730	100	1706730	6000
	GND	M8	4÷6	CuZn-Sn	0,8	1106710	100	1706710	4500
	GND	M8	8÷10	CuZn-Sn	0,8	1106760	100	1706760	2400
	3	GND FLY	M6	1÷2,5	CuZn-Sn	0,8			1706721
GND FLY		M6	3÷6	CuZn-Sn	0,8			1706701	4500
GND FLY		M8	1÷2,5	CuZn-Sn	0,8			1706731	6000
GND FLY		M8	3÷6	CuZn-Sn	0,8			1706711	4500

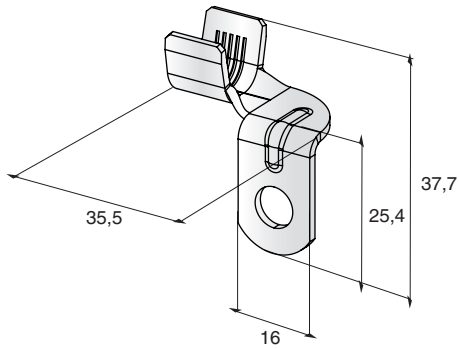
CBA



1



2



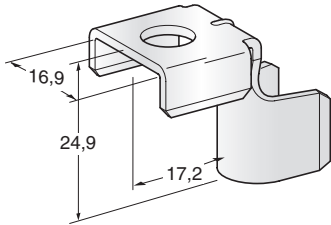
3



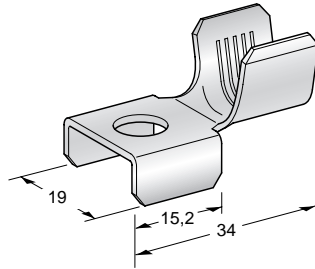
4

IMG	DESCRIPTION	SCREW	WIRE SECTION mm ²	MATERIAL	MATERIAL THICKNESS mm	P/N BOX	M.O.Q.	P/N REEL	M.O.Q.
1	CBA FL 90	M8	10÷20	CuZn-Sn	1,5	1608170	500	1708170	800
	CBA FL 90	M6	10÷20	CuZn-Sn	1,5			1708175	700
	CBA FL 90	M6	25÷42	CuZn-Sn	1,5	1604300	1500		
	CBA FL 90	M8	25÷42	CuZn-Sn	1,5	1608210	1500	1708210	600
	CBA FL 90	M6	25÷42	CuZn-Sn	1,5			1708215	800
2	CBA FL 90	M8	50÷70	CuZn-Sn	1,8			1708230	600
	CBA SX FL90	M6	20÷40	CuZn-Sn	1,8			1708325	600
	CBA SX FL90	M8	20÷40	CuZn-Sn	1,8	1608321	550	1708320	600
	CBA SX FL90	M6	50÷70	CuZn-Sn	1,8			1708315	600
	CBA SX FL90	M8	50÷70	CuZn-Sn	1,8			1708310	600
3	CBA SX G90	M8	20÷40	CuZn-Sn	1,8	1608323	550		
4	CBA J81 L4	M8	10÷20	Cu-Sn	1,8	1609200	500		

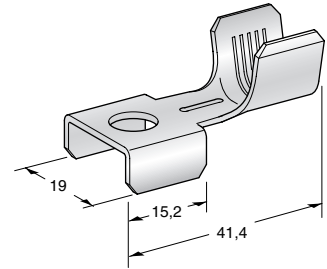
MEGA



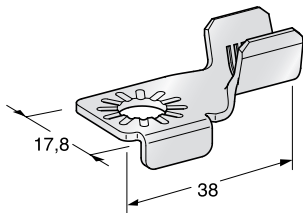
1



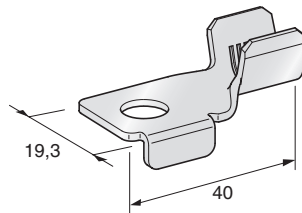
2



3



4

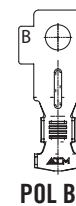
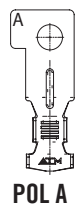


5



6

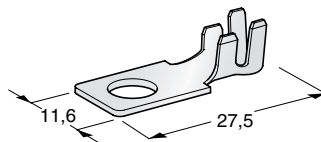
IMG	DESCRIPTION	SCREW	WIRE SECTION mm ²	MATERIAL	MATERIAL THICKNESS mm	P/N BOX	M.O.Q.	P/N REEL	M.O.Q.
1	MEGA G90	M8	10÷20	Cu-Sn	1,5	1608180	650		
	MEGA G90	M8	25÷35	Cu-Sn	1,5	1608190	500		
2	MEGA	M8	10÷20	Cu-Sn	1,2	1108110	10	1708110	1200
	MEGA	M8	25÷35	Cu-Sn	1,2	1108120	10	1708120	900
3	MEGA	M8	25÷40	Cu-Sn	1,5	1608196	500		
	MEGA	M8	AWG-1	Cu-Sn	1,5	1608199	500		
4	W84	M8	10÷25	CuZn-Sn	1,5	1608800	1400		
5	W62	M8	25÷40	Cu-Sn	1,5	1609320	700		
6	W62 POL.A	M8	25÷40	Cu-Sn	1,5	1609330	700		
	W62 POL.B	M8	25÷40	Cu-Sn	1,5	1609340	700		



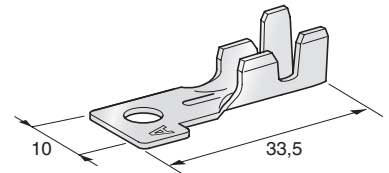
MIDI



1

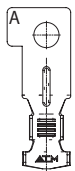


2

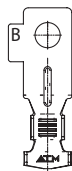


3

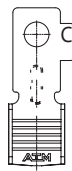
IMG	DESCRIPTION	SCREW	WIRE SECTION mm ²	MATERIAL	MATERIAL THICKNESS mm	P/N REEL	M.O.Q.
1	MIDI	M4	2,5÷4	CuZn-Sn	0,8	1708280	2000
2	MIDI	M5	2,5÷4	CuZn-Sn	0,8	1708240	2000
	MIDI	M5	6÷8	CuZn-Sn	0,8	1708245	1600
	MIDI	M6	6÷8	CuZn-Sn	0,8	1708246	1600
3	MIDI	M5	2,5÷4	Cu-Sn	0,8	1705606	2000
	MIDI POL A	M5	2,5÷4	Cu-Sn	0,8	1705616	2000
	MIDI POL B	M5	2,5÷4	Cu-Sn	0,8	1705626	2000
	MIDI POL E	M5	2,5÷4	Cu-Sn	0,8	1705656	2000
	MIDI	M5	6÷8	Cu-Sn	0,8	1705705	2000
	MIDI POL A	M5	6÷8	Cu-Sn	0,8	1705715	2000
	MIDI POL B	M5	6÷8	Cu-Sn	0,8	1705725	2000
	MIDI POL D	M5	6÷8	Cu-Sn	0,8	1705745	2000
	MIDI POL C	M5	6÷8	Cu-Sn	0,8	1705735	2000



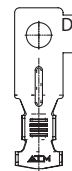
POL A



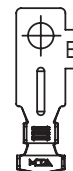
POL B



POL C



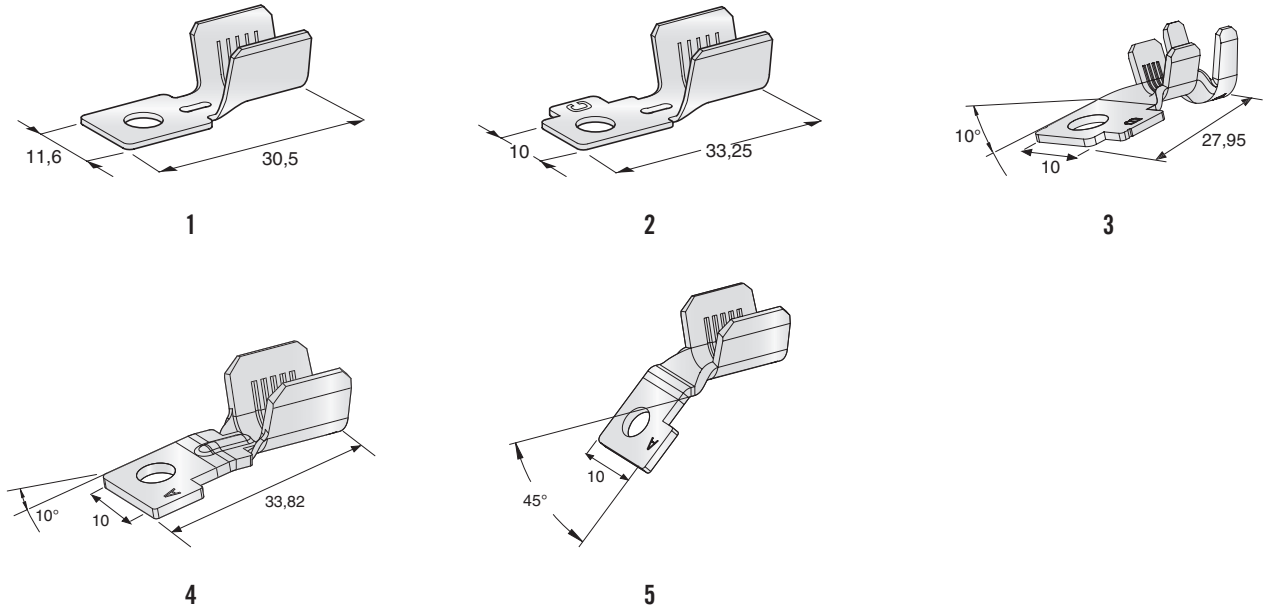
POL D



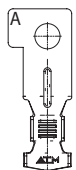
POL E

TERMINALS

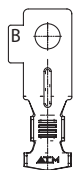
MIDI



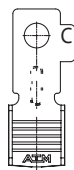
IMG	DESCRIPTION	SCREW	WIRE SECTION mm ²	MATERIAL	MATERIAL THICKNESS mm	P/N BOX	M.O.Q.	P/N REEL	M.O.Q.
1	MIDI	M5	10÷16	CuZn-Sn	0,8			1708250	1600
2	MIDI POL A	M5	10÷20	Cu-Sn	1,5			1705855	1000
	MIDI POL B	M5	10÷20	Cu-Sn	1,5			1705825	1000
	MIDI POL B	M5	25÷35	Cu-Sn	1,5			1705925	800
	MIDI POL C	M5	10÷20	Cu-Sn	1,5			1705835	1000
	MIDI POL D	M5	10÷20	Cu-Sn	1,5			1705856	1000
3	MIDI G10 POL B	M5	6÷8	CuZn-Sn	1			1705726	2700
4	MIDI G10 POL A	M5	10÷20	CuZn-Sn	1,5			1705816	1000
	MIDI G10 POL B	M5	10÷20	CuZn-Sn	1,5			1705826	1000
	MIDI G10 POL D	M5	10÷20	CuZn-Sn	1,5			1705846	1000
5	MIDI G135 POL A	M5	10÷20	CuZn-Sn	1,5	1605815	1500		



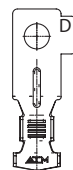
POL A



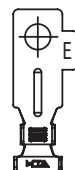
POL B



POL C

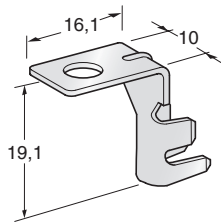


POL D

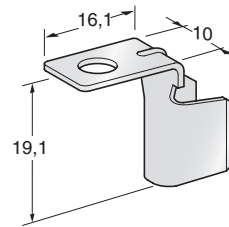


POL E

MIDI G90

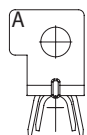


1

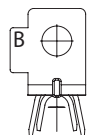


2

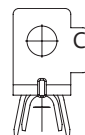
IMG	DESCRIPTION	SCREW	WIRE SECTION mm ²	MATERIAL	MATERIAL THICKNESS mm		P/N BOX	M.O.Q.
1	MIDI G90 UNI	M5	2,5÷4	Cu-Sn	0,8		1605600	2500
	MIDI G90 UNI	M5	6÷8	Cu-Sn	0,8		1605700	2500
	MIDI G90 POL A	M5	2,5÷4	Cu-Sn	0,8		1605610	2500
	MIDI G90 POL A	M5	6÷8	Cu-Sn	0,8		1605710	2000
	MIDI G90 POL B	M5	2,5÷4	Cu-Sn	0,8		1605620	2500
	MIDI G90 POL B	M5	6÷8	Cu-Sn	0,8		1605720	2000
	MIDI G90 POL C	M5	2,5÷4	Cu-Sn	0,8		1605630	2500
	MIDI G90 POL C	M5	6÷8	Cu-Sn	0,8		1605730	2000
	MIDI G90 POL E	M5	2,5÷4	Cu-Sn	0,8		1605650	2500
2	MIDI G90 UNI	M5	10÷20	Cu-Sn	1,5		1605800	1500
	MIDI G90 UNI	M5	25÷35	Cu-Sn	1,5		1605900	2000
	MIDI G90 POL A	M5	10÷20	Cu-Sn	1,5		1605810	1500
	MIDI G90 POL A	M5	25÷35	Cu-Sn	1,5		1605910	2000
	MIDI G90 POL B	M5	10÷20	Cu-Sn	1,5		1605820	1500
	MIDI G90 POL C	M5	10÷20	Cu-Sn	1,5		1605830	1500
	MIDI G90 POL C	M5	25÷35	Cu-Sn	1,5		1605930	2000



POL A



POL B

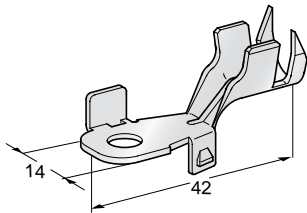


POL C

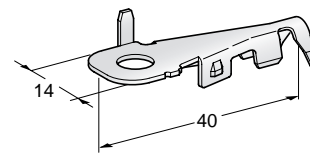


POL E

REVERSIBLE



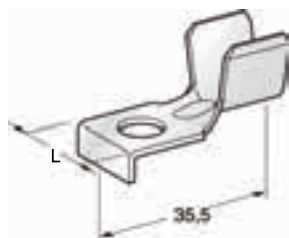
1



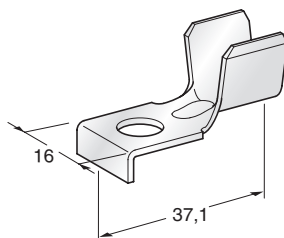
2

IMG	DESCRIPTION	SCREW	WIRE SECTION mm ²	MATERIAL	MATERIAL THICKNESS mm		P/N REEL	M.O.Q.
1	RVS A	M6	2,5÷4	Cu-Sn	0,8		1706900	1500
	RVS A	M6	6÷8	Cu-Sn	1		1706910	1400
	RVS A	M6	10÷16	Cu-Sn	1,2		1706920	1200
2	RVS B	M6	2,5÷4	Cu-Sn	0,8		1706930	2200
	RVS B	M6	6÷8	Cu-Sn	1		1706940	2000

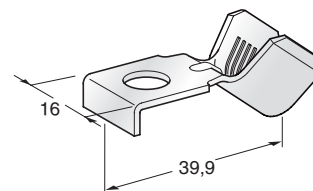
SQUARE



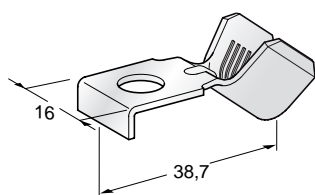
1



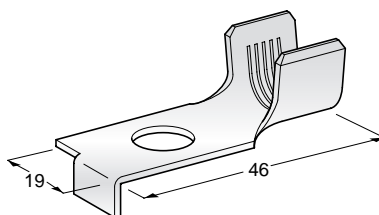
2



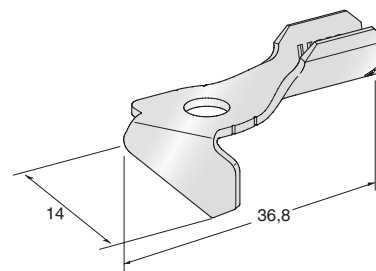
3



4



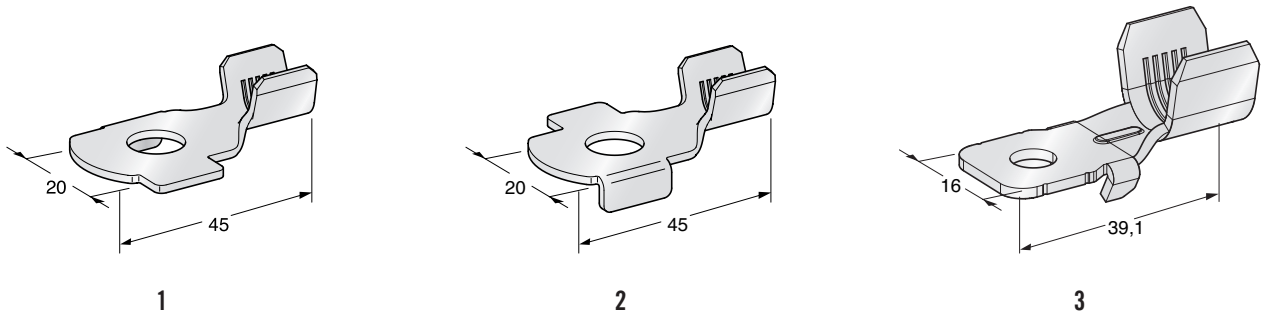
5



6

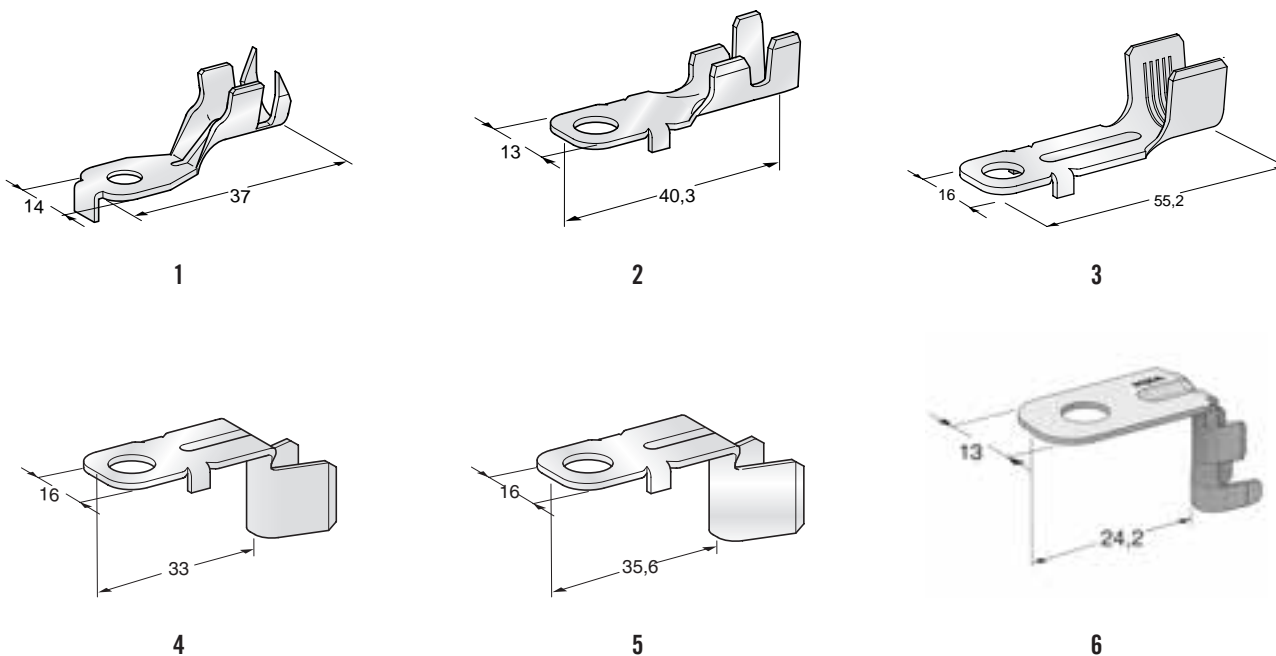
IMG	DESCRIPTION	L	SCREW	WIRE SECTION mm ²	MATERIAL	MATERIAL THICKNESS mm	P/N BOX	M.O.Q.	P/N REEL	M.O.Q.
1	SQR A	12	M5	10÷20	CuZn-Sn	1,2			1706990	1200
	SQR A	16	M6	10÷20	CuZn-Sn	1,2	1906970	1000	1706970	1200
	SQR A	16	M6	25÷35	CuZn-Sn	1,2			1706980	1000
	SQR A	16	M6	25÷40	CuETP-Sn	1,5	1606981	1800		
	SQR A	16	M8	10÷20	CuZn-Sn	1,2			1706950	1200
	SQR A	16	M8	10÷20	CuZn-Sn	1,5	1606991	1700		
	SQR A	16	M8	25÷35	CuZn-Sn	1,2			1706960	1000
	SQR A	16	M8	25÷40	CuZn-Sn	1,5	1606990	800		
2	SQR A		M8	25÷40	CuZn-Sn	1,5	1606992	800		
3	SQR A G45		M8	25÷40	CuZn-Sn	1,5	1606994	900		
4	SQR A G40		M6	25÷40	CuZn-Sn	1,2	1606982	2000		
5	SQR B		M10	10÷20	CuZn-Sn	1,5			1708220	800
	SQR B		M10	25÷35	CuZn-Sn	1,5			1708200	700
6	SQR 30		M6	10÷20	CuZn-Sn	1,2	1608345	1000	1708345	1000
	SQR 30		M6	25÷40	CuZn-Sn	1,2	1608346	800		

SQUARE



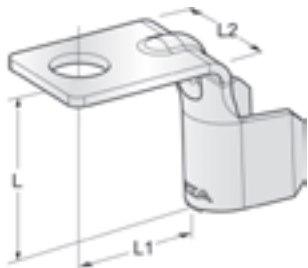
IMG	DESCRIPTION	SCREW	WIRE SECTION mm ²	MATERIAL	MATERIAL THICKNESS mm		P/N REEL	M.O.Q.
1	SQR C DX	M10	10÷20	CuZn-Sn	1,5		1708185	700
2	SQR C SX	M10	25÷40	CuZn-Sn	1,5		1708270	700
3	SQR C MY03	M6	10÷20	CuZn-Sn	1,5		1706975	1200
	SQR C MY03	M6	25÷40	CuZn-Sn	1,5		1706977	1000

SMT

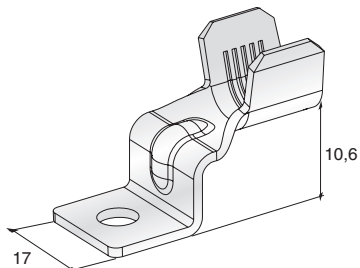


IMG	DESCRIPTION	SCREW	WIRE SECTION mm ²	MATERIAL	MATERIAL THICKNESS mm	P/N BOX	M.O.Q.	P/N REEL	M.O.Q.
1	SMT A	M6	4÷8	CuZn-Sn	1			1706880	1400
	SMT A	M6	10÷16	CuZn-Sn	1,2	1606890	2000	1706890	1200
2	SMT B	M6	2,5÷4	CuZn-Sn	0,8			1706600	3000
3	SMT C	M8	50÷70	CuZn-Sn	1,5	1606796	1000		
4	SMT C G90	M6	6÷8	CuZn-Sn	1,2	1606775	500		
	SMT C G90	M6	10÷20	CuZn-Sn	1,2	1606770	2000		
	SMT C G90	M6	25÷40	CuZn-Sn	1,2	1606500	600		
	SMT C G90	M8	10÷20	CuZn-Sn	1,2	1606780	2000		
	SMT C G90	M8	25÷40	CuZn-Sn	1,2	1606785	600		
5	SMT C G90	M8	50÷70	CuZn-Sn	1,5	1606795	1000		
6	SMT B G90	M8	2,5÷4	CuZn-Sn	0,8	1606791	2000		

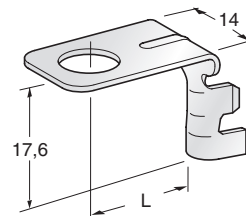
SPECIAL TYPES



1



2



3



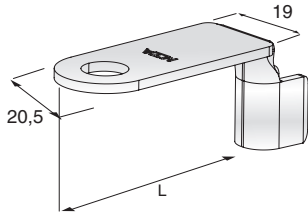
4



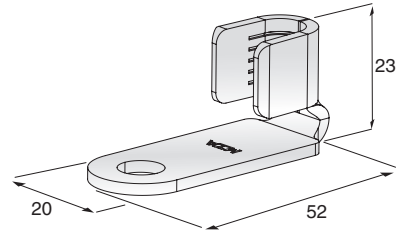
5

IMG	DESCRIPTION	SCREW	WIRE SECTION mm ²	MATERIAL	MATERIAL THICKNESS mm	L	L1	L2	P/N BOX	M.O.Q.
1	FDU G90	M8	25÷40	CuZn-Sn	1,5	23	10,7	17	1608380	1500
	FDU G90	M6	25÷40	CuZn-Sn	1,5	23	10,7	17	1608381	700
	FDU G90	M6	25÷35	Cu-Sn	1,5	27,4	10,7	17	1608384	600
	G90	M8	50 -70	Cu-Sn	1,8	23	16	16	1607500	600
	G90	M8	M8	Cu-Sn	1,8	24	16	16	1617500	600
2	FDU G90	M6	25÷40	CuZn-Sn	1,5				1608382	700
3	PTC G90	M8	2,5÷4	Cu-Sn	0,8	15,4,			1608500	1700
	STR-S G90	M6	2,5÷4	Cu-Sn	0,8	11,4			1608510	2300
4	SX FL90 P	M6	10÷16	CuZn-Sn	1,8				1704004	600
5	FDU GM90M6P	M6	25÷35	CuZn-Sn	1,5				1704010	600

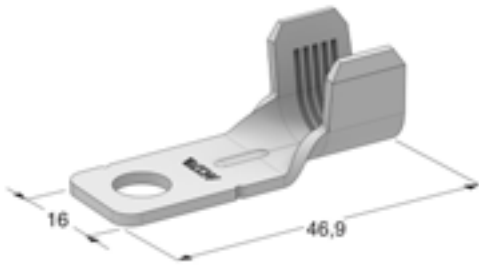
SPECIAL TYPES



1



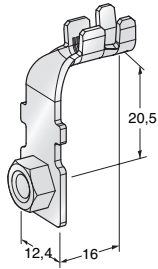
2



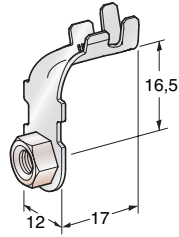
3

IMG	DESCRIPTION	SCREW	WIRE SECTION mm ²	MATERIAL	MATERIAL THICKNESS mm	L		P/N BOX	M.O.Q.
1	G90	M8	16	CuZn-Sn	1,9	44,5		1793752	500
	G90	M8	16	CuZn-Sn	1,9	54,5		1796416	500
2	G90	M8	35	CuZn-Sn	2,3			1793753	500
3	L47	M8	50 -70	Cu-Sn	1,8			1607510	600

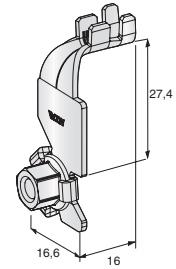
NUT TYPES



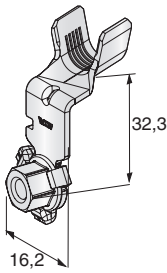
1



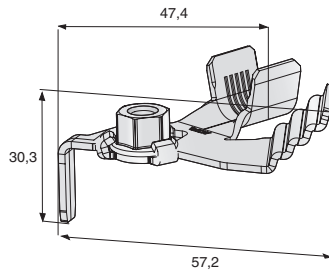
2



3



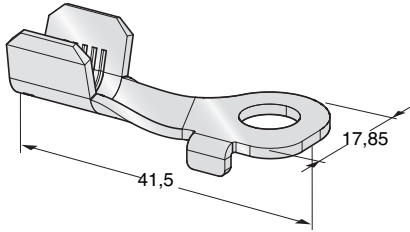
4



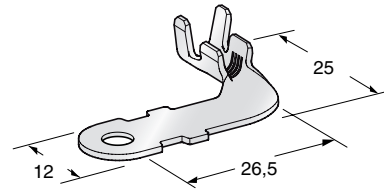
5

IMG	DESCRIPTION	SCREW	WIRE SECTION mm ²	MATERIAL	MATERIAL THICKNESS mm		P/N BOX	M.O.Q.
1	NUT G90 SH	M5	2,5÷5	CuZn-Sn	1,2		1608420	1500
2	NUT G90	M5	2,5÷5	CuZn-Sn	1		1608400	1500
3	W95 G90	M5	2,5÷5	CuZn-Sn	1,2		1608470	800
4	STARTER W95 G90	M6	25÷40	CuZn-Sn	1,5		1608450	500
5	JUMP START W95	M6	25÷40	CuZn-Sn	1,5		1608460	230

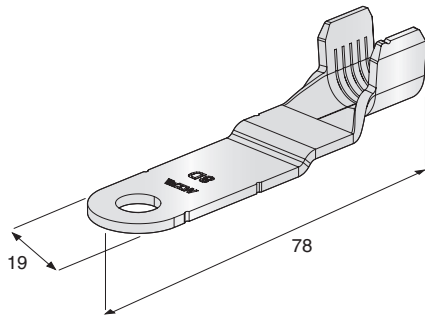
SPECIAL TYPES



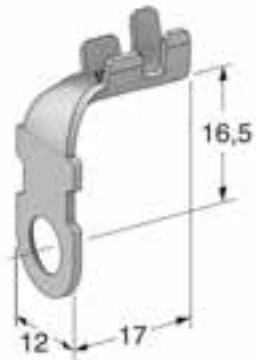
1



2



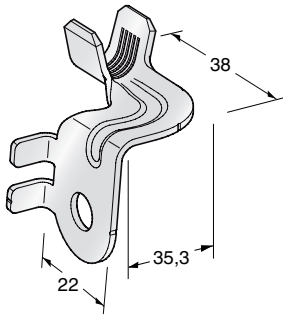
3



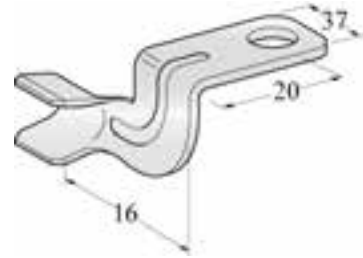
4

IMG	DESCRIPTION	SCREW	WIRE SECTION mm ²	MATERIAL	MATERIAL THICKNESS mm	P/N BOX	M.O.Q.	P/N REEL	M.O.Q.
1	STARTER L41	M8	10÷20	CuZn-Sn	1,5			1708360	1000
	STARTER L41	M8	25÷40	CuZn-Sn	1,5			1708370	800
2	X70 FL90	M5	4÷7	CuZn-Sn	1	1608415	3000		
3	ALTERNATOR	M8	35÷50	Cu-Sn	2	1607400	300		
4	G90	M6	2,5÷5	CuZn-Sn	1	1606995	2000		

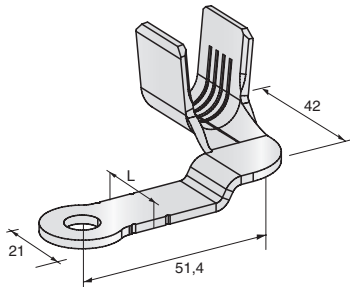
SPECIAL TYPES



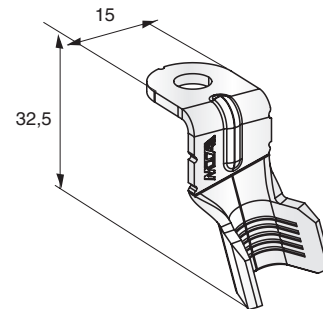
1



2



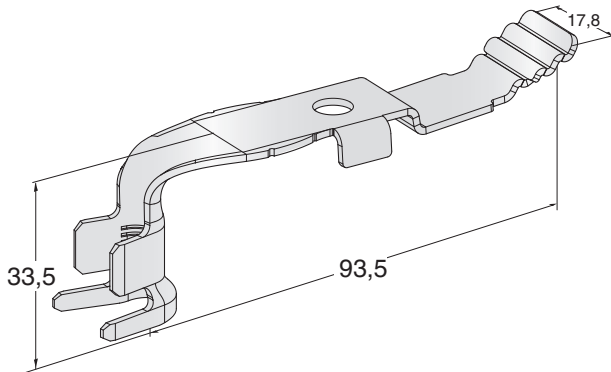
3



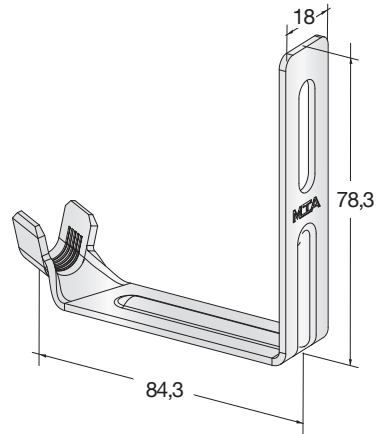
4

IMG	DESCRIPTION	SCREW	WIRE SECTION mm ²	MATERIAL	MATERIAL THICKNESS mm	L		P/N BOX	M.O.Q.
1	ND TW90	M8	25÷40	CuZn-Sn	1,5			1609100	280
2	FLANGE TW90	M8	10÷20	CuZn-Sn	1,5			1608600	1400
	FLANGE TW90	M8	25÷35	CuZn-Sn	1,5			1608700	1500
3	D21	M8	16÷41	CuZn-Sn	2	16		1609910	380
	D21	M8	14÷41	CuZn-Sn	2	13		1609920	250
	D21	M8	16÷41	Cu-Sn	2	16		1609911	250
4	FL15G90	M6	25÷35	Cu-Sn	1,8			1608520	700

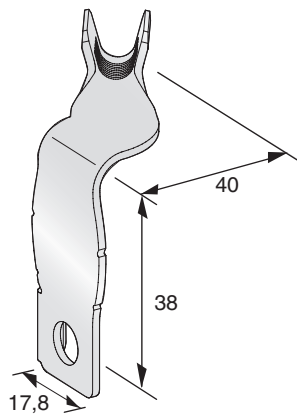
SPECIAL TYPES



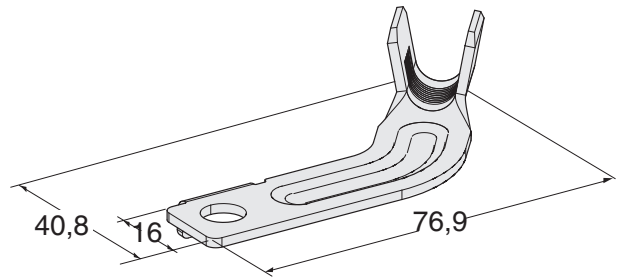
1



2



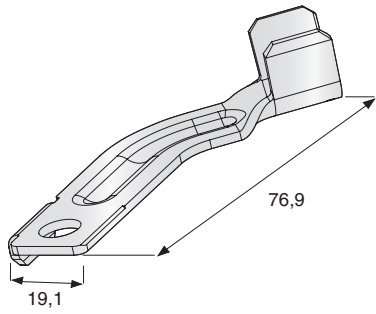
3



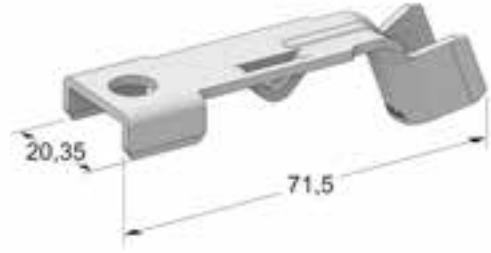
4

IMG	DESCRIPTION	SCREW	WIRE SECTION mm ²	MATERIAL	MATERIAL THICKNESS mm		P/N BOX	M.O.Q.
1	W84 G90	M8	25÷41	CuZn-Sn	1,5		1609400	350
2	SLOT G90	M8	25÷40	CuZn-Sn	1,8		1609500	300
3	W84 TW90	M8	10÷25	Cu-Sn	1,5		1608911	800
4	W61 FLAG 50	M8	25	CuZn-Sn	1,8		1609600	500

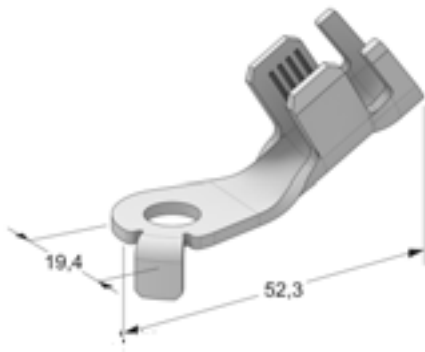
SPECIAL TYPES



1



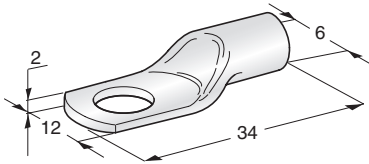
2



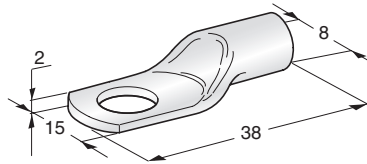
3

IMG	DESCRIPTION	SCREW	WIRE SECTION mm ²	MATERIAL	MATERIAL THICKNESS mm		P/N BOX	M.O.Q.
1	W62 FLAG 50	M8	25÷40	CuZn-Sn	1,8		1609310	300
2	G70	M8	25÷35	CuZn-Sn	1,8		1608540	500
3	G30 ANTIROTATION	M8	35	CuZn-Sn	2,0		1609960	500

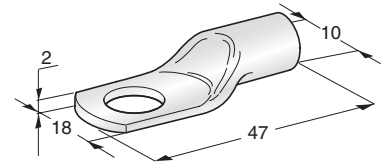
TUBULAR



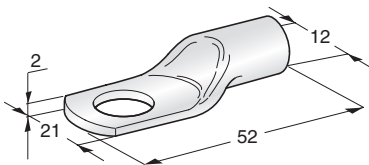
1



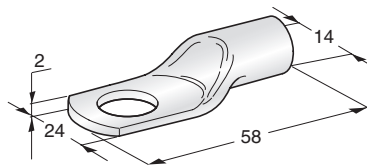
2



3



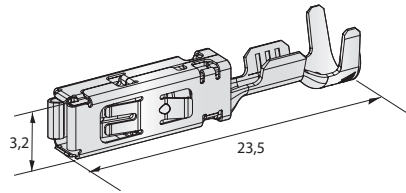
4



5

IMG	DESCRIPTION	SCREW	WIRE SECTION mm ²	MATERIAL		P/N BOX	M.O.Q.
1	TUBOLAR L34	M6	16	Cu-Sn		1605000	50
	TUBOLAR L34	M8	16	Cu-Sn		1605100	50
2	TUBOLAR L38	M8	25	Cu-Sn		1605010	50
	TUBOLAR L38	M10	25	Cu-Sn		1605110	50
3	TUBOLAR L47	M8	35	Cu-Sn		1605021	50
	TUBOLAR L47	M10	35	Cu-Sn		1605020	50
4	TUBOLAR L52	M11	50	Cu-Sn		1605030	25
5	TUBOLAR L58	M13	75	Cu-Sn		1605040	25

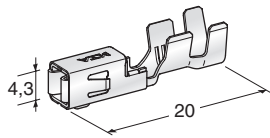
HP6 280



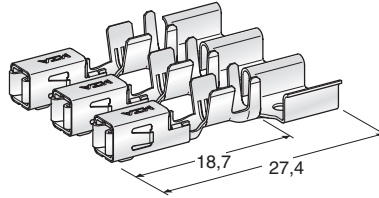
1

IMG	DESCRIPTION	WIRE SECTION mm ²	MATERIAL	MATERIAL THICKNESS mm	CONTACT AREA COATING	P/N BOX	M.O.Q.	P/N REEL	M.O.Q.
1	HP6 280	0,5÷1	Cu Alloy-Sn	0,3	Au	1108380	100	1708380	10500
	HP6 280	1,5÷2,5	Cu Alloy-Sn	0,3	Au	1108381	100	1708381	10500
	HP6 280	0,5÷1	Cu Alloy-Sn	0,3	Sn	1108382	100	1708382	10500
	HP6 280	1,5÷2,5	Cu Alloy-Sn	0,3	Sn	1108383	100	1708383	10500
	HP6 280	0,5÷1	Cu Alloy-Sn	0,3	Ag			1708391	10500
	HP6 280	1,5÷2,5	Cu Alloy-Sn	0,3	Ag			1708392	10500

MINI 280



1



2



3



4



5

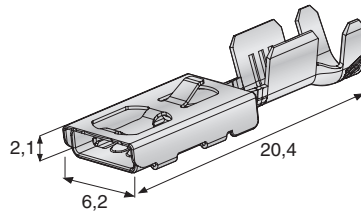


6

IMG.	DESCRIPTION	WIRE SECTION mm ²	WIRE DIAMETER Ømm	MATERIAL	MAT. THICK. mm	TAB / COLOUR	P/N BOX	M.O.Q.	P/N REEL	M.O.Q.
1	MINI F280	0,35÷0,75		CuFe-Sn	0,3		1108330	100	1708330	9000
	MINI F280	1÷2		CuFe-Sn	0,3		1108331	100	1708331	9000
	MINI F280	2,5÷4		CuFe-Sn	0,3		1108332	100	1708332	9000
2	MINI F280 BUS BAR	1÷2		CuFe-Sn	0,3				1708335	12000
	MINI F280 BUS BAR	2,5÷4		CuFe-Sn	0,3				1708336	12000
3	MINI F280 WP	0,35÷0,75		CuFe-Sn	0,3		1108337	100	1708337	9000
	MINI F280 WP	1÷2		CuFe-Sn	0,3		1108338	100	1708338	9000
	MINI F280 WP	2,5÷4		CuFe-Sn	0,3		1108339	100	1708339	9000
4	MINI F280 DOUBLE			CuFe-Sn		Male 2,8	1708334	20000		
5	GASKET		2,2÷3	Silicon		Green	4551747	100	4550747	20000
	GASKET		1,2÷2,1	Silicon		Red	4551748	100	4550748	20000
	GASKET		3,1÷3,7	Silicon		Grey	4551749	100	4550749	20000
6	PLUG			Silicon		Black			4550750	5000

TERMINALS

F 480E



1

IMG	DESCRIPTION	WIRE SECTION mm ²	MATERIAL	MATERIAL	P/N BOX	M.O.Q.	P/N REEL	M.O.Q.
1	F480E	0,5÷1	CuZn-Sn	0,3	1108400	100	1708400	15000
	F480E	1,5÷2,5	Cu Alloy-Sn	0,3	1108401	100	1708401	12000
	F480E	0,35÷0,5	CuZn-Sn	0,3	1108402	100	1708402	16500

F630E & M630



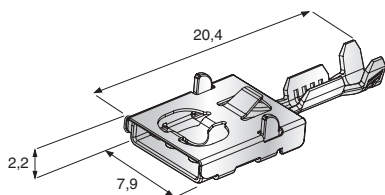
1



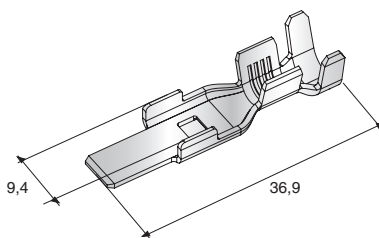
2



3



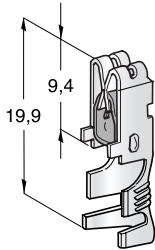
4



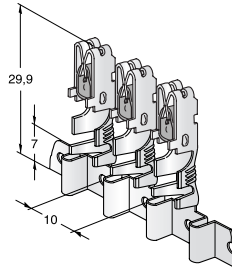
5

IMG.	DES.	WIRE SECTION mm ²	WIRE DIAMETER Ømm	MATERIAL	MATERIAL THICKNESS mm	TAB	COLOUR	P/N BOX	M.O.Q.	P/N REEL	M.O.Q.
1	F630 E WP	2÷3		Cu Alloy-Sn	0,4	6,3 x 0,8				1708505	5400
	F630 E WP	4÷6		Cu Alloy-Sn	0,4	6,3 x 0,8				1708504	5400
2	M630 WP	2,5÷4		Cu-Sn	0,8					1707995	1700
	M630 WP	6		Cu-Sn	0,8					1707994	1700
3	GASKET		2,7÷3,7	Silicon			Red	4551901	10000		
	GASKET		4÷4,3	Silicon			Yellow	4551902	10000		
4	F630 E	0,35÷0,5		CuZn-Sn	0,4	6,3 x 0,8		1108500	100	1708500	10500
	F630 E	0,75÷1,5		CuZn-Sn	0,4	6,3 x 0,8		1108501	100	1708501	9000
	F630 E	2÷3		Cu Alloy-Sn	0,4	6,3 x 0,8		1108502	100	1708502	7500
	F630 E	4÷6		Cu Alloy-Sn	0,4	6,3 x 0,8		1108503	100	1708503	6300
	F630 E	0,35÷0,5		CuZn-Sn	0,4	5,2 x 0,6		1108510	100	1708510	TBD
	F630 E	0,75÷1,5		CuZn-Sn	0,4	5,2 x 0,6		1108511	100	1708511	9000
	F630 E	2÷2,5		Cu Alloy-Sn	0,4	5,2 x 0,6		1108512	100	1708512	7500
	F630 E	4÷6		Cu Alloy-Sn	0,4	5,2 x 0,6		1108513	100	1708513	6300
5	M630	1,5÷2		Cu-Sn	0,8			1107990	20	1707990	3000
	M630	2,5÷4		Cu-Sn	0,8			1107991	20	1707991	2000
	M630	6÷8		Cu-Sn	0,8			1107992	20	1707992	1900
	M630	10		Cu-Sn	0,8			1107993	20	1707993	1700

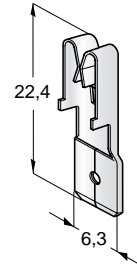
UNI 630



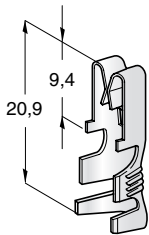
1



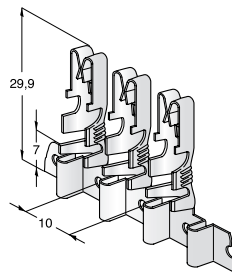
2



3



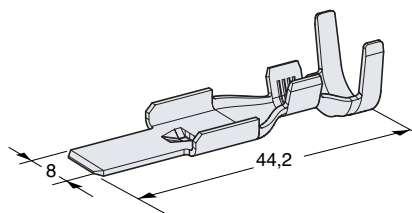
4



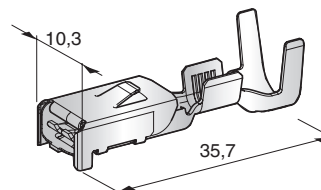
5

IMG	DESCRIPTION	WIRE SECTION mm ²	MATERIAL	MATERIAL THICKNESS mm	P/N BOX	M.O.Q.	P/N REEL	M.O.Q.
1	UNI F630 WITH CLIP	0,5÷1,5	CuSn-Sn	0,4	1107920	100	1707920	6000
	UNI F630 WITH CLIP	2÷3	CuSn-Sn	0,4	1107930	100	1707930	6000
	UNI F630 WITH CLIP	4÷6	CuNi-Sn	0,4	1107940	50	1707940	5400
2	UNI F630 BUS BAR WITH CLIP	2÷3	CuSn-Sn	0,4			1707932	9000
	UNI F630 BUS BAR WITH CLIP	4÷6	CuNi-Sn	0,4			1707942	7500
3	UNI F630		CuSn-Sn	0,4	1107501	100	1907501box	8000
4	UNI F630	0,5÷1,5	CuSn-Sn	0,4	1107900	100	1707900	6000
	UNI F630	2÷3	CuSn-Sn	0,4			1707902	6000
	UNI F630	4÷6	CuSn-Sn	0,4	1107901	100	1707901	5400
5	UNI F630 BUS BAR	2÷3	CuSn-Sn	0,4			1707912	9000
	UNI F630 BUS BAR	4÷6	CuSn-Sn	0,4			1707911	7500

MAXI 800 WP



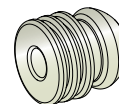
1



2



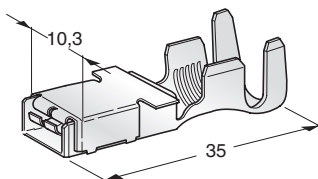
3



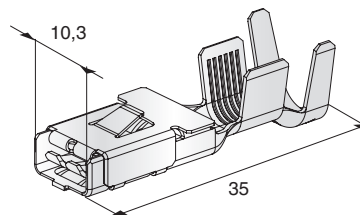
4

IMG	DESCRIPTION	WIRE SECTION mm ²	WIRE DIAMETER Ømm	MATERIAL	MATERIAL THICKNESS mm	COLOUR	P/N BOX	M.O.Q.	P/N REEL	M.O.Q.
1	WP M800	2,5÷4		Cu-Sn	0,8		1107760	20	1707760	1300
	WP M800	6÷8		Cu-Sn	0,8		1107770	20	1707770	1000
	WP M800	10÷16		Cu-Sn	0,8				1707780	1950
2	WP F800	1,5 ÷ 2,5		CuZn-Sn	0,5		1107400	20	1707400	1300
	WP F800	3 ÷ 6		CuZn-Sn	0,5		1107410	20	1707410	1300
	WP F800	7 ÷ 10		CuNi-Sn	0,5		1107420	20	1707420	1300
3	GASKET		1,9 - 3,3	SILICON		■ Green	4550780	5000		
	GASKET		3,4 - 4,9	SILICON		■ Blue	4550781	5000		
	GASKET		5 - 6,5	SILICON		■ Red	4550782	5000		
4	CAVITY PLUG			SILICON		□ Natural	4550784	5000		

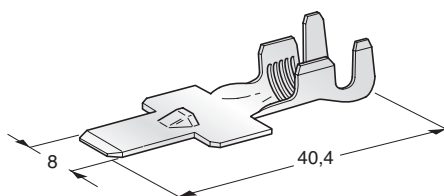
MAXI 800



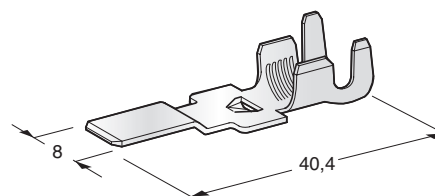
1



2



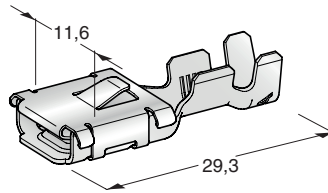
3



4

IMG	DESCRIPTION	WIRE SECTION mm ²	MATERIAL	MATERIAL THICKNESS mm	P/N BOX	M.O.Q.	P/N REEL	M.O.Q.
1	F800	1,5÷2,5	CuZn-Sn	0,5	1107650	20	1707650	1600
	F800	4÷6	CuZn-Sn	0,5	1107660	20	1707660	1600
	F800	8÷10	CuZn-Sn	0,5	1107670	20	1707670	1300
	F800	8÷10	CuNi-Sn	0,5			1707672	1300
	F800	16	CuNi-Sn	0,5	1107671	20	1707671	1300
2	F800 WITH CLIP	1,5÷2,5	CuZn-Sn	0,5			1707620	2000
	F800 WITH CLIP	4÷6	CuZn-Sn	0,5			1707621	2000
	F800 WITH CLIP	8÷10	CuNi-Sn	0,5			1707622	1300
3	M800	2,5÷4	Cu-Sn	0,8	1107675	20	1707675	2000
	M800	6÷8	Cu-Sn	0,8	1107685	20	1707685	1600
	M800	10÷16	Cu-Sn	0,8	1107690	20	1707690	1300
4	WP M800	2,5÷4	Cu-Sn	0,8	1107700	20	1707700	2000
	WP M800	6÷8	Cu-Sn	0,8	1107710	20	1707710	1600
	WP M800	10÷16	Cu-Sn	0,8	1107720	20	1707720	1400

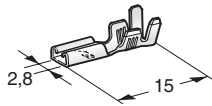
POWER 950



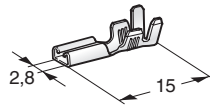
1

IMG	DESCRIPTION	WIRE SECTION mm ²	MATERIAL	MATERIAL THICKNESS mm	P/N BOX	M.O.Q.	P/N REEL	M.O.Q.
1	F950	2,5÷4	Cu-Sn	0,6	1107740	20	1707740	2000
	F950	6÷8	Cu-Sn	0,6	1107741	20	1707741	1600
	F950	10÷16	Cu-Sn	0,6			1707742	1300

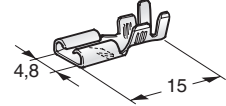
FASTON



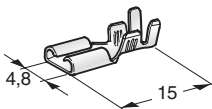
1



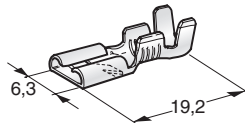
2



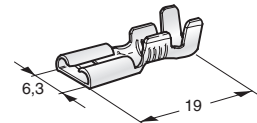
3



4



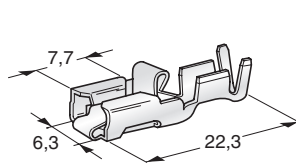
5



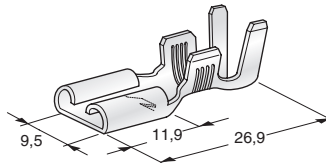
6

IMG	DESCRIPTION	WIRE SECTION mm ²	MATERIAL THICKNESS mm	MATERIAL	P/N BOX	M.O.Q.	P/N BOX	M.O.Q.	P/N REEL	M.O.Q.
1	F280 WITH LOCKING NOTCH	0,5÷1	0,25	CuZn-Sn	1101700	200				
2	F280	0,3÷1	0,30	CuZn	1301390	2000	1901390	10000		
3	F480 WITH LOCKING NOTCH	0,5÷1	0,32	CuZn-Sn	1101710	100				
4	FASTON F480	0,5÷1	0,33	CuZn	1301391	100	1901391	10000		
5	F630 WITH LOCKING NOTCH	1÷2,5	0,35	CuZn	1301650	5000	1901650	8000		
	F630 WITH LOCKING NOTCH	1÷2,5	0,35	CuZn-Sn	1101650	5000	1911650	8000	1701650	15000
	F630 WITH LOCKING NOTCH	2,5÷6	0,35	CuZn-Sn					1701651	3000
6	F630	0,5÷1,5	0,40	CuZn	1301402	100	1901402	5000		
	F630	1÷2,5	0,35	CuZn-Sn					1701655	15000
	F630	1÷2,5	0,40	CuZn	1301400	10000	1901400	8000	1401400	15000
	F630	1÷2,5	0,40	CuZn-Sn	1101400	200	1911400	8000	1701400	15000

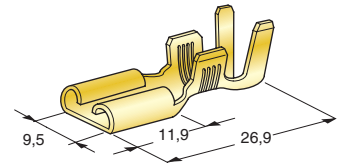
FASTON



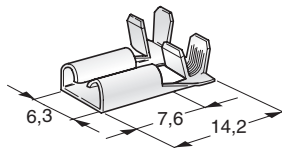
1



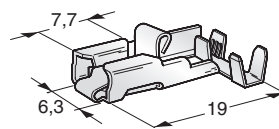
2



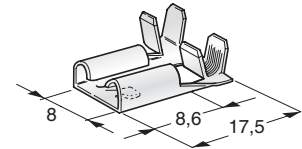
3



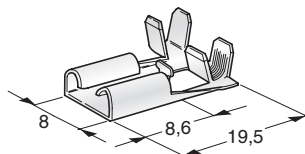
4



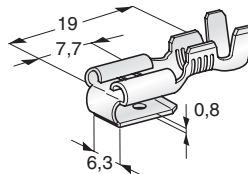
5



6



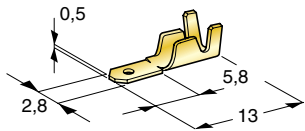
7



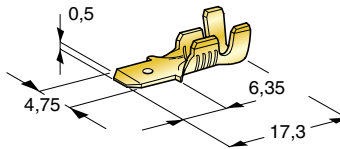
8

IMG	DESCRIPTION	WIRE SECTION mm ²	MATERIAL THICKNESS mm	MATERIAL	P/N BOX	M.O.Q.	P/N REEL	M.O.Q.
1	ANTISF F630	0,5÷1,5	0,4	CuZn-Sn	1107000	50		
	ANTISF F630	2,5÷4	0,4	CuZn-Sn	1107010	50		
2	F950 WITH LOCKING NOTCH	6÷10	0,4	CuZn-Sn	1101720	100		
3	F950	3÷6	0,4	CuZn	1301420	100	1901420box	3000
4	F630 FLAG	0,5÷1,5	0,4	CuZn-Sn			1701530	12000
5	ANTISF F630 FLAG	1÷2,5	0,4	CuZn-Sn	1107020	50		
6	F800 FLAG WITH LOCKING NOTCH	1÷2,5	0,4	CuZn-Sn	1101680	50		
7	F800 FLAG	1÷2,5	0,4	CuZn-Sn			1951145box	1000
8	630 2WAY	0,8÷2,5	0,4	CuZn-Sn	1301501	100	1901501box	5000

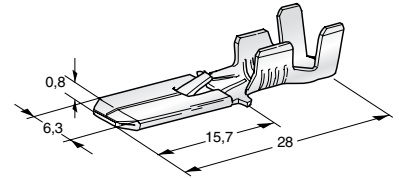
FASTON



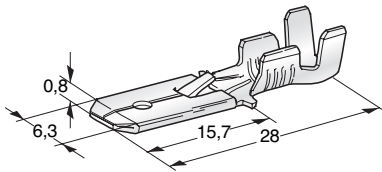
1



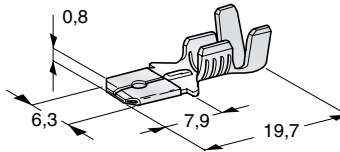
2



3



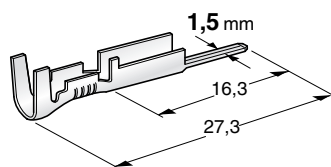
4



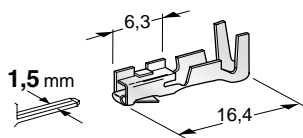
5

IMG	DESCRIPTION	WIRE SECTION mm ²	MATERIAL THICKNESS mm	MATERIAL	P/N BOX	M.O.Q.	P/N REEL	M.O.Q.
1	M280	0,5÷1	0,5	CuZn	1301418	200	1901418box	5000
2	M480	0,3÷1	0,5	CuZn	1301417	200	1901417box	5000
3	M630 WITH LOCKING NOTCH	0,75÷2	0,4	CuZn-Sn	1101660	100	1701660	3500
	M630 WITH LOCKING NOTCH	0,75÷2	0,4	CuZn	1301660	5000		
	M630 WITH LOCKING NOTCH	0,75÷2	0,4	CuZn	1901660	5000		
	M630 WITH LOCKING NOTCH	4÷6	0,4	CuZn-Sn	1101662	100		
4	M630 WITH LOCKING NOTCH	1÷2,5	0,4	CuZn	1301665	100	1901665box	5000
5	M630	0,5÷1	0,4	CuZn	1301411	100	1901411box	5000
		1÷2,5	0,4	CuZn-Sn	1101412	100	1701412	5000
		1÷2,5	0,4	CuZn-Sn	1951194	5000		
		1÷2,5	0,4	CuZn	1301412	100	1901412box	5000

FOR SEAL CONNECTORS



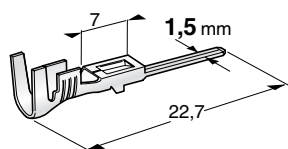
1



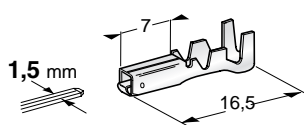
2



3



4



5



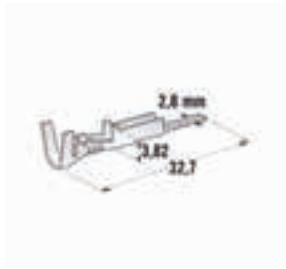
6



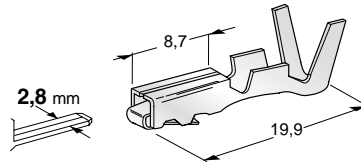
7

IMG	DESCRIPTION	WIRE SECTION mm ²	MATERIAL THICKNESS mm	MATERIAL	COLOUR	P/N BOX	M.O.Q.	P/N REEL	M.O.Q.
1	METRIPACK M150	0,5÷1	0,4	CuZn-Sn		1105510	100		
2	METRIPACK F150	0,5÷1	0,4	CuZn-Sn		1105500	100		
3	RUBBER	0,5÷1	-	Silicon	Red	4407530	100		
4	S-SEAL M150	1÷1,5	0,32	CuZn-Sn		1105550	100	1705550	4000
5	S-SEAL F150	1÷1,5	0,3	CuZn-Sn		1105560	100	1705560	3500
6	RUBBER	0,5÷1	-	Silicon	Yellow	4407740	100	4507740box	10000
7	CAVITY PLUG		-	Silicon	Red	4407750	100		

FOR SEAL CONNECTORS



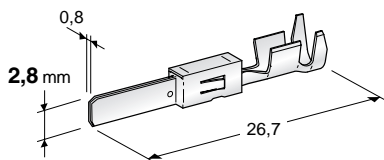
1



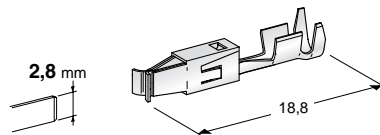
2



3



4



5



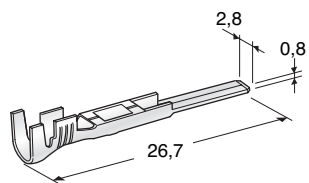
6



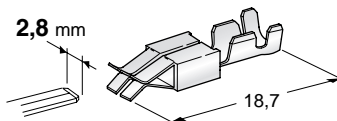
7

IMG	DESCRIPTION	WIRE SECTION mm ²	MATERIAL THICKNESS mm	MATERIAL	COLOUR	P/N BOX	M.O.Q.	P/N REEL	M.O.Q.
1	METRIPACK M280	1÷2,5	0,4	CuSn-Sn		1104500	50	1704500	3500
2	METRIPACK F280	1÷2,5	0,4	CuSn-Sn		1104510	100	1704510	3200
3	RUBBER	1÷2,5		Silicon	■ Green	4407510	100	4507510box	5000
4	JPT-WP M280	0,5÷1,5	0,32	CuSn-Sn		1108290	100		
	JPT-WP M280	1,5÷2,5	0,32	CuSn-Sn		1108300	100		
5	JPT-WP F280	0,5÷1	0,32	CuSn-Sn		1108260	100		
	JPT-WP F280	1÷2,5	0,32	CuSn-Sn		1108270	100		
6	RUBBER	0,5÷1		Silicon	■ Azure	4510662	100		
7	RUBBER	1,5÷2,5		Silicon	□ White	4510658	100		

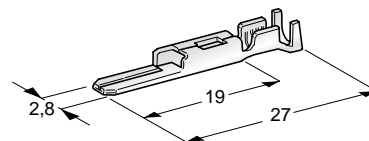
FOR SEAL CONNECTORS



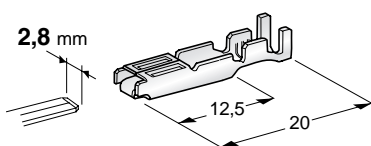
1



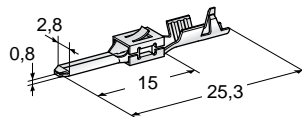
2



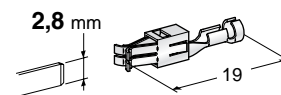
3



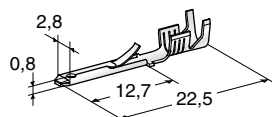
4



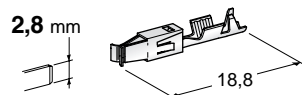
5



6



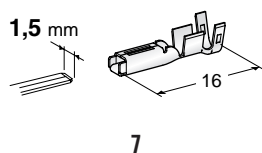
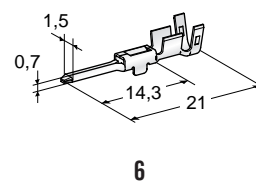
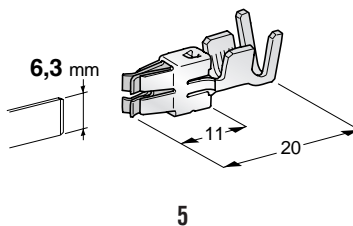
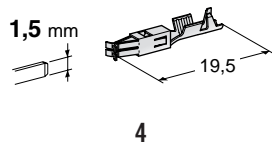
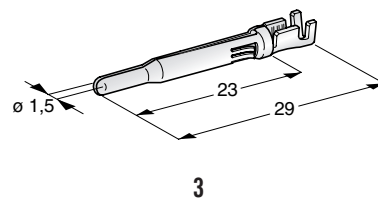
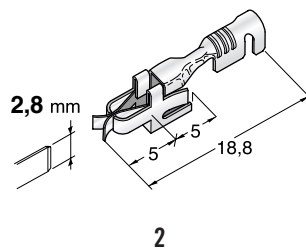
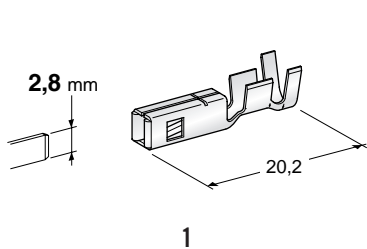
7



8

IMG	DESCRIPTION	WIRE SECTION mm ²	MATERIAL THICKNESS mm	MATERIAL	P/N BOX	M.O.Q.
1	JT M280	0,35÷1	0,32	CuSn-Sn	1108280	100
2	JT F280	0,5÷1,5	0,32	CuSn-Sn	1107210	200
	JT F280	1,5÷2,5	0,32	CuSn-Sn	1107211	100
3	MARK II M280	0,5÷1,5	0,40	CuSn-Sn	1102010	200
4	MARK II F280	0,5÷1,5	0,40	CuSn-Sn	1102000	100
5	M280	0,5÷1	0,30	CuFe-Sn	1108030	50
6	F280	0,5÷1	0,30	CuFe-Sn	1108050	100
7	DIN 46343 FOR CAR RADIO	0,5÷1	0,38	CuSn-Sn	1108060	100
8	JPT F280	0,2÷0,5	0,32	CuSn-Sn	1105615	100
	JPT F280	0,5÷1	0,32	CuSn-Sn	1105620	100
	JPT F280	1,5÷2,5	0,32	CuSn-Sn	1105630	100

FOR SEAL CONNECTORS

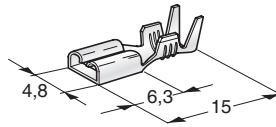


IMG	DESCRIPTION	WIRE SECTION mm ²	MATERIAL THICKNESS mm	MATERIAL	P/N BOX	M.O.Q.
1	SICMA2 F280	0,35÷0,75	0,35	CuZn-Sn	1105660	100
	SICMA2 F280	1÷2,5	0,35	CuZn-Sn	1105670	100
2	JPT F280	0,5÷1	0,40	CuZn-Sn	1107209	100
	JPT F280	1,5÷2,5	0,40	CuZn-Sn	1107212	100
3	MFS M150	0,5÷1	0,30	CuZn-Sn	1108010	100
4	MKF F150	0,5÷1	0,30	CuZn-Sn	1108020	100
5	SPT F630	2,5÷4	0,40	CuZn-Sn	1102050	100
6	O70 M150	0,75÷1,5	0,30	CuZn-Sn	1108080	100
7	O70 F150	0,75÷1,5	0,30	CuZn-Sn	1108070	100

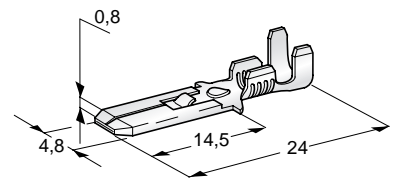
PITCH 5



1



2

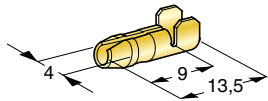


3

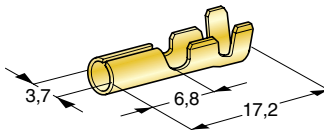
IMG	DESCRIPTION	WIRE SECTION mm ²	MATERIAL THICKNESS mm	MATERIAL	P/N BOX	M.O.Q.	P/N REEL	M.O.Q.
1	PITCH 5 F480	0,5÷1,5	0,28	CuZn			1401910	5000
2	PITCH 5 F480	0,5÷1,5	0,35	CuZn-Sn	1101940	100	1701940	12000
3	PITCH 5 M480 WITH LOCKING NOTCH	0,5÷1,5	0,40	CuZn-Sn	1101950	100		

TERMINALS

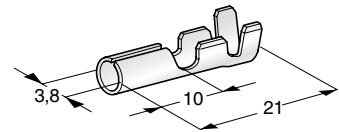
PIN



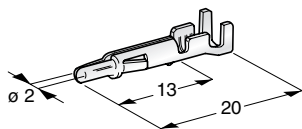
1



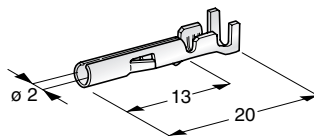
2



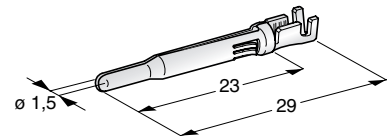
3



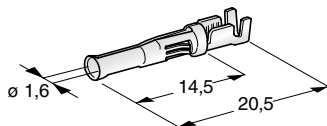
4



5



6

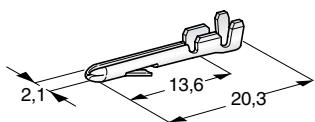


7

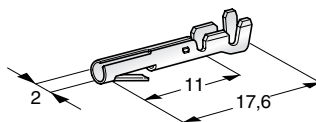
IMG	DESCRIPTION	WIRE SECTION mm ²	MATERIAL THICKNESS mm	MATERIAL	P/N BOX	M.O.Q.
1	PIN TERMINAL L13 M4	1÷2,5	0,40	CuZn	1201000	100
2	PIN TERMINAL L17 F4	1÷2,5	0,40	CuZn	1201070	100
3	PIN TERMINAL L21 F4	0,5÷2,5	0,40	CuZn	1201110	100
4	MATE-N-LOCK M2	0,5÷2,5	0,30	CuZn-Sn	1201210	200
5	MATE-N-LOCK F2	0,5÷2,5	0,30	CuZn-Sn	1201200	200
6	ECONOSEAL M15	0,5÷1,5	0,30	CuZn-Sn	1201230	200
7	ECONOSEAL F15	0,5÷1,5	0,30	CuZn-Sn	1201220	200

TERMINALS

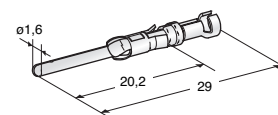
PIN



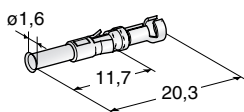
1



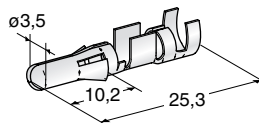
2



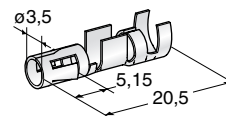
3



4



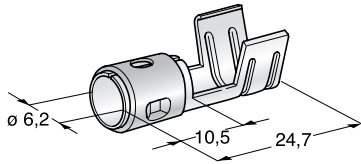
5



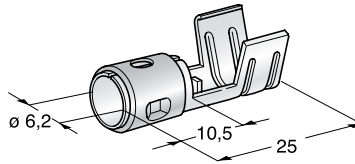
6

IMG	DESCRIPTION	WIRE SECTION mm ²	MATERIAL THICKNESS mm	MATERIAL	P/N BOX	M.O.Q.
1	PIN TERMINAL L20 M2.1 FOR WATER TEMPERATURE	0,5±1	0,32	CuZn-Sn	1201150	200
2	PIN TERMINAL L17 F2	0,5±1	0,32	CuZn-Sn	1201160	200
3	PIN TERMINAL L29 M1.6	0,5±1	0,35	CuSn-Sn	1107960	100
4	PIN TERMINAL L20 F1.6	0,5±1	0,35	CuSn-Sn	1107970	100
5	PIN TERMINAL L25 M3.5	2,5±6	0,35	CuSn-Sn	1107980	50
6	PIN TERMINAL L20 F3.5	2,5±6	0,35	CuSn-Sn	1108000	50

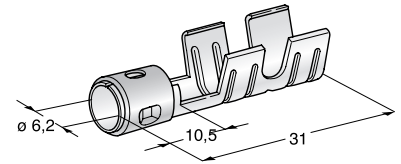
IGNITION CABLES



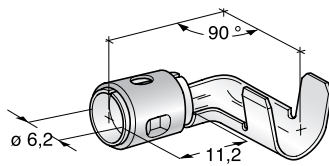
1



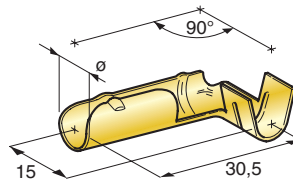
2



3



4

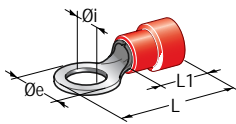


5

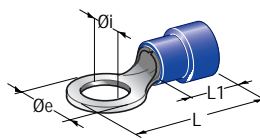
IMG	DESCRIPTION	WIRE SECTION mm ²	φ mm	MATERIAL	MATERIAL THICKNESS mm	P/N REEL	M.O.Q.	P/N REEL	M.O.Q.
1	PLUG TERMINAL WITH CLIP	7	6,2	St AISI 430	0,5			1400860	2000
2	PLUG TERMINAL WITH CLIP	7	6,2	St AISI 430	0,5			1400865	2000
3	PLUG TERMINAL WITH CLIP	7	6,2	St AISI 430	0,5			1400850	2000
4	PLUG TERMINAL 90° WITH CLIP	7	6,2	St AISI 430	0,5			1400862	1000
5	COIL - DISTRIBUTOR TERMINAL 90°	7	8,3	CuZn 67	0,5	1200880	100	1400880	1250

INSULATED TERMINALS

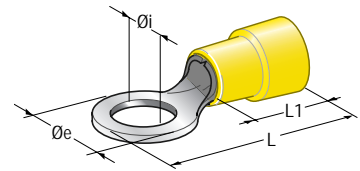
RING



1



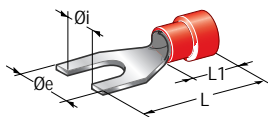
2



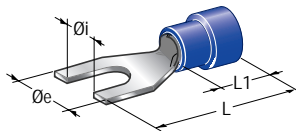
3

IMG	DESCRIPTION	WIRE SECTION mm ²	Ø i mm	Ø e mm	L mm	L1 mm	MATERIAL	MATERIAL THICKNESS mm	P/N BOX	M.O.Q.	P/N BULK	M.O.Q.
1	RING	0,25-1÷1	3,2	5,5	18,0	10,5	Cu-Sn PA66	0,75	1853050	100	1853059	1000
		0,25-1÷1	3,7	5,5	18,0	10,5	Cu-Sn PA66	0,75	1853060	100	1853069	1000
		0,25-1÷1	4,3	6,6	20,1	10,5	Cu-Sn PA66	0,75	1853070	100	1853079	1000
		0,25-1÷1	5,3	8,0	21,5	10,5	Cu-Sn PA66	0,75	1853150	100	1853159	1000
		0,25-1÷1	6,4	11,6	27,4	10,5	Cu-Sn PA66	0,75	1853200	100	1853209	1000
		0,25-1÷1	8,4	11,6	27,4	10,5	Cu-Sn PA66	0,75	1853250	100		
2	RING	1÷2,5	4,3	8,5	23,0	11,0	Cu-Sn PA66	0,80	1857100	100	1857109	1000
		1÷2,5	5,3	8,5	23,0	11,0	Cu-Sn PA66	0,80	1857150	100	1857159	1000
		1÷2,5	6,4	12,0	28,0	11,0	Cu-Sn PA66	0,80	1857200	100	1857209	1000
		1÷2,5	8,4	12,0	28,0	11,0	Cu-Sn PA66	0,80	1857250	100	1857259	1000
3	RING	2,5÷6	4,3	7,2	23,5	14,0	Cu-Sn PA66	1	1863100	50	1863109	1000
		2,5÷6	5,3	9,5	27,0	14,0	Cu-Sn PA66	1	1863150	50	1863159	1000
		2,5÷6	6,4	12,0	30,5	14,0	Cu-Sn PA66	1	1863200	50	1863209	500
		2,5÷6	8,4	15,0	35,2	14,0	Cu-Sn PA66	1	1863250	50	1863259	500
		2,5÷6	10,4	15,0	35,2	14,0	Cu-Sn PA66	1	1863300	50	1863309	500

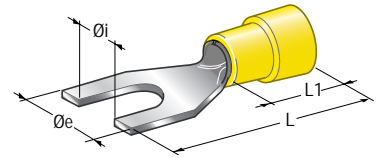
FORK



1



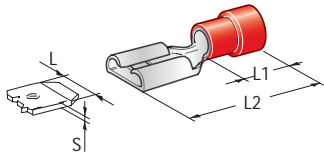
2



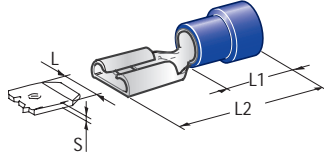
3

IMG	DESCRIPTION	WIRE SECTION mm ²	Ø i mm	Ø e mm	L mm	L1 mm	MATERIAL	MATERIAL THICKNESS mm	P/N BOX	M.O.Q.	P/N BULK	M.O.Q.
1	FORK	0,25÷1	3,7	6,4	21,5	10,5	Cu-Sn PA66	0,75			1865069	1000
		0,25÷1	4,3	6,4	21,5	10,5	Cu-Sn PA66	0,75	1865100	100	1865109	1000
		0,25÷1	5,3	9,5	22,2	10,5	Cu-Sn PA66	0,75	1865200	100	1865209	1000
2	FORK	1÷2,5	4,3	6,4	22,7	11	Cu-Sn PA66	0,80	1866100	100	1866109	1000
		1÷2,5	6,4	12,0	28,4	11	Cu-Sn PA66	0,80	1866300	100	1866309	1000
3	FORK	2,5÷6	4,3	8,3	27,0	14	Cu-Sn PA66	1	1867000	50	1867009	1000
		2,5÷6	5,3	9,5	26,7	14	Cu-Sn PA66	1	1867100	50	1867109	1000
		2,5÷6	6,4	12,0	32,7	14	Cu-Sn PA66	1	1867200	50	1867209	1000

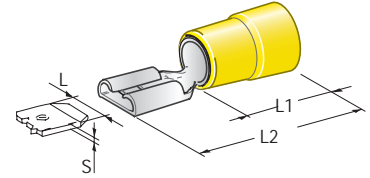
PUSH ON



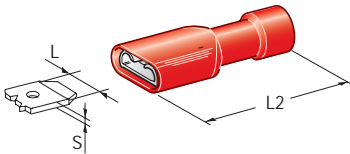
1



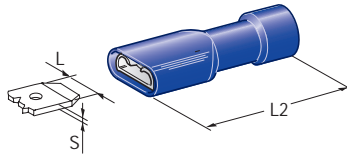
2



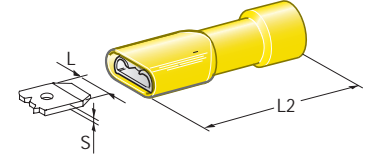
3



4



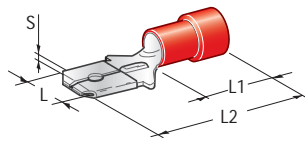
5



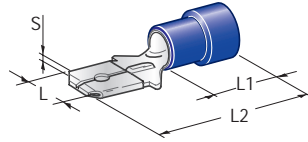
6

IMG.	DESCRIPTION	WIRE SECTION mm ²	S mm	L mm	L1 mm	L2 mm	MATERIAL	MATERIAL THICKNESS mm	P/N BOX	M.O.Q.	P/N BULK	M.O.Q.
1	PUSH ON	0,25÷1	0,5	2,8	10,0	18,5	CuZn-Sn PVC	0,30	1850200	100	1850209	1000
		0,25÷1	0,8	2,8	10,0	18,5	CuZn-Sn PVC	0,30	1850400	100	1850409	1000
		0,25÷1	0,5	4,7	10,0	19,0	CuZn-Sn PVC	0,40	1850500	100	1850509	1000
		0,25÷1	0,8	4,7	10,0	19	CuZn-Sn PVC	0,40	1850300	100	1850309	1000
		0,25÷1	0,8	6,3	12,0	21	CuZn-Sn PVC	0,40	1851000	100	1851009	1000
2	PUSH ON	1÷2,5	0,5	2,8	10,0	19	CuZn-Sn PVC	0,30	1854200	100		
		1÷2,5	0,8	2,8	10,0	19	CuZn-Sn PVC	0,30	1854400	100	1854409	1000
		1÷2,5	0,5	4,7	10,0	19	CuZn-Sn PVC	0,40	1854500	100		
		1÷2,5	0,8	6,3	12,0	21,0	CuZn-Sn PVC	0,40	1855000	100	1855009	1000
3	PUSH ON	2,5÷6	0,8	6,3	13,0	22,4	CuZn-Sn PVC	0,40	1861000	50	1861009	500
		2,5÷6	1,1	9,5	14,0	30,0	CuZn-Sn PVC	0,40	1863000	50	1863009	500
4	PUSH ON	0,25÷1	0,5	4,7	-	21,5	CuZn-Sn PVC	0,40	1851400	100	1851409	1000
		0,25÷1	0,8	6,3	-	23,5	CuZn-Sn PVC	0,40	1851500	100	1851509	1000
5	PUSH ON	1÷2,5	0,5	4,7	-	21,5	CuZn-Sn PVC	0,40	1855400	100		
		1÷2,5	0,8	6,3	-	23,5	CuZn-Sn PVC	0,40	1855500	100	1855509	1000
6	PUSH ON	2,5÷6	0,8	6,3	-	24,0	CuZn-Sn PVC	0,40	1860500	50	1860509	500

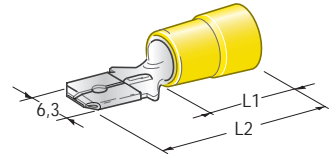
PUSH ON



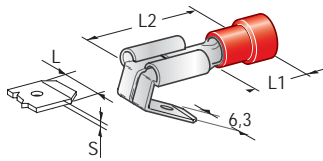
1



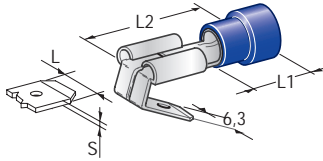
2



3



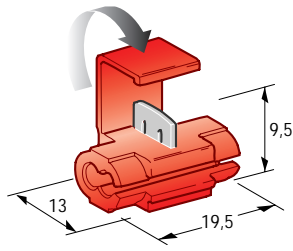
4



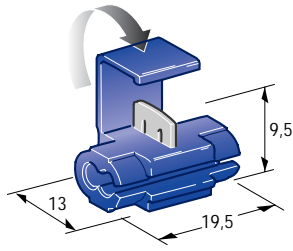
5

IMG.	DESCRIPTION	WIRE SECTION mm2	S mm	L mm	L1 mm	L2 mm	MATERIAL	MATERIAL THICKNESS mm	P/N BOX	M.O.Q.	P/N BULK	M.O.Q.
1	PUSH ON	0,25÷1	-	2,8	10	17,0	CuZn-Sn PVC	0,80	1850450	100	1850459	1000
		0,25÷1	-	6,3	12	21,0	CuZn-Sn PVC	0,80	1852000	100	1852009	1000
2	PUSH ON	1÷2,5	-	4,7	10	19,5	CuZn-Sn PVC	0,50	1854550	100	1854559	1000
		1÷2,5	-	6,3	12	21,0	CuZn-Sn PVC	0,80	1856000	100	1856009	1000
3	PUSH ON	2,5÷6	-	6,3	13	22,5	CuZn-Sn PVC	0,80	1862000	100	1862009	500
4	PIGGY BACK	0,25÷1	0,8	6,3	10	20,8	CuZn-Sn PVC	0,40	1852500	50	1852509	1000
5	PIGGY BACK	1÷2,5	0,8	6,3	10	20,8	CuZn-Sn PVC	0,40	1862500	50	1862509	1000

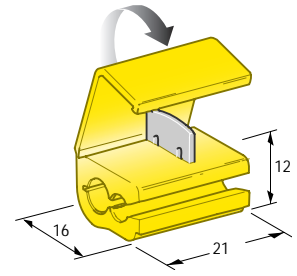
SELF STRIPPING



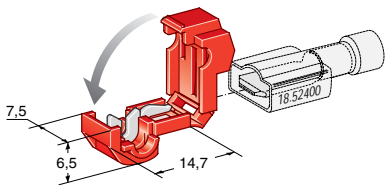
1



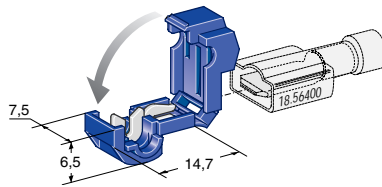
2



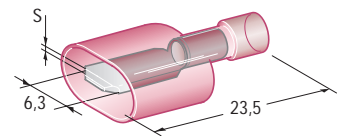
3



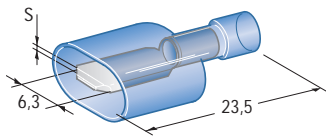
4



5



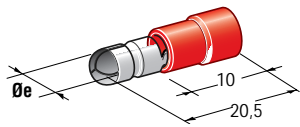
6



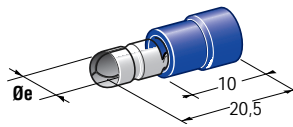
7

IMG	DESCRIPTION	WIRE SECTION mm ²	MATERIAL	MATERIAL THICKNESS mm	P/N BOX	M.O.Q.	P/N BULK	M.O.Q.
1	SELF-STRIPPING	0,25÷1	CuZn-Sn PP	-	4410090	100	4510090	10000
2	SELF-STRIPPING	1÷2,5	CuZn-Sn PP	-	4410091	100	4510091	10000
3	SELF-STRIPPING	2,5÷6	CuZn-Sn PP	-	4410092	50	4510092	5000
4	T-CONNECTIONS	0,25÷1	CuZn-Sn PA66 V094	-	4410096	50	4510096	1000
5	T-CONNECTIONS	1÷2,5	CuZn-Sn PA66 V094	-	4410097	100		
6	M630	0,25÷1	CuZn-Sn PVC	0,80	1852400	50	1852409	1000
7	M630	1÷2,5	CuZn-Sn PVC	0,80	1856400	50	1856409	1000

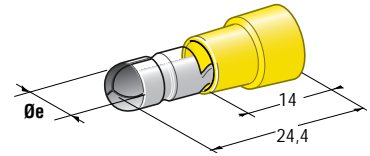
BULLET



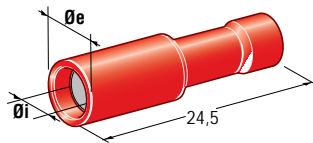
1



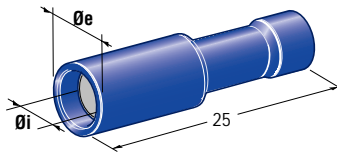
2



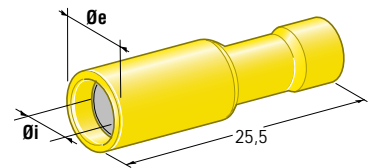
3



4



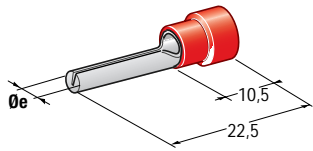
5



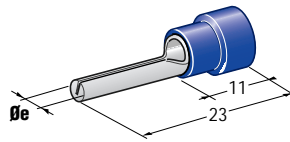
6

IMG	DESCRIPTION	WIRE SECTION mm ²	$\varnothing i$ mm	$\varnothing e$ mm	MATERIAL	MATERIAL THICKNESS mm	P/N BOX	M.O.Q.	P/N BULK	M.O.Q.
1	MALE BULLET	0,25÷1	-	4,0	CuZn-Sn PVC	0,40	1864000	100	1864009	1000
2	MALE BULLET	1÷2,5	-	4,0	CuZn-Sn PVC	0,40	1864300	100	1864309	1000
		1÷2,5	-	5,0	CuZn-Sn PVC	0,40	1864500	100	1864509	1000
3	MALE BULLET	2,5÷6	-	5,0	CuZn-Sn PVC	0,40	1864700	100		
4	FEMALE BULLET	0,25÷1	3,86	6,3	CuZn-Sn PVC	0,40	1864100	100	1864109	1000
5	FEMALE BULLET	1÷2,5	3,86	6,3	CuZn-Sn PVC	0,40	1864400	100	1864409	1000
		1÷2,5	4,85	7,0	CuZn-Sn PVC	0,40	1864600	50	1864609	1000
6	FEMALE BULLET	2,5÷6	4,85	7,0	CuZn-Sn PVC	0,40	1864800	50		

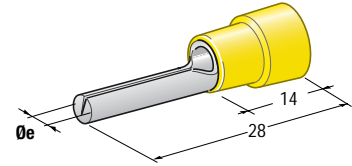
PIN & BUTT



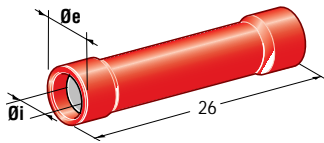
1



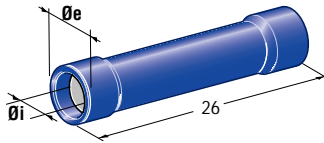
2



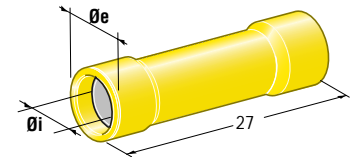
3



4



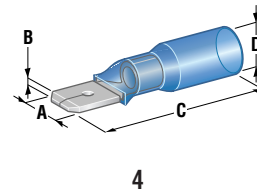
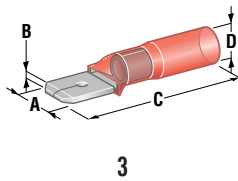
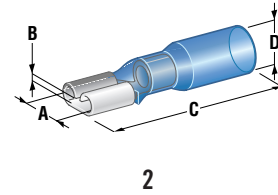
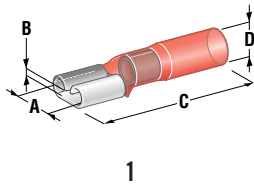
5



6

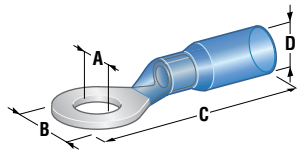
IMG	DESCRIPTION	WIRE SECTION mm ²	\varnothing i mm	\varnothing e mm	MATERIAL	MATERIAL THICKNESS mm	P/N BOX	M.O.Q.	P/N BULK	M.O.Q.
1	PIN	0,25÷1	-	1,9	CuZn-Sn PA66	0,75	1869000	100	1869009	1000
2	PIN	1÷2,5	-	1,9	CuZn-Sn PA66	0,80	1869100	100	1869109	3000
3	PIN	2,5÷6	-	2,7	CuZn-Sn PA66	1	1869200	100		
4	BUTT	0,25÷1	1,70	4,0	CuZn-Sn PVC	0,40	1868000	100	1868009	1000
5	BUTT	1÷2,5	2,30	4,6	CuZn-Sn PVC	0,40	1868100	100	1868109	1000
6	BUTT	2,5÷6	3,40	6,4	CuZn-Sn PVC	0,40	1868200	50	1868209	500

HEAT SHRINK

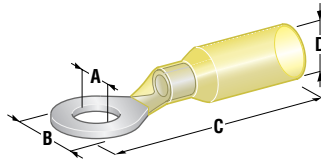


IMG	DESCRIPTION	WIRE SECTION mm ²	A mm	B mm	C mm	D mm	MATERIAL	MATERIAL THICKNESS mm	P/N BOX	M.O.Q.
1	HEAT SHRINK WP F630	0,25÷1	6,35	0,8	27	4,2	CuZn-Sn PE	0,40	1880300	100
2	HEAT SHRINK WP F630	1,25÷2,5	6,35	0,8	28	4,9	CuZn-Sn PE	0,40	1880310	100
3	HEAT SHRINK WP M630	0,75÷1,25	6,35	0,8	27	4,2	CuZn-Sn PE	-	1880280	100
4	HEAT SHRINK WP M630	1,25÷2,5	6,35	0,8	28	4,9	CuZn-Sn PE	-	1880290	100

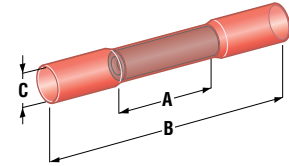
HEAT SHRINK



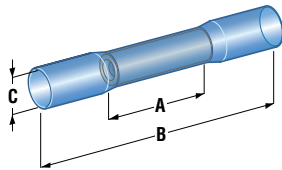
1



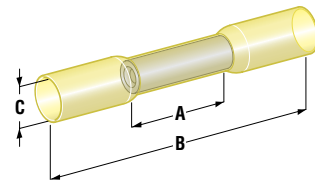
2



3



4



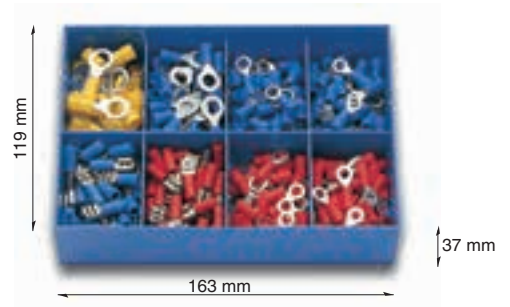
5

IMG	DESCRIPTION	WIRE SECTION mm ²	A mm	B mm	C mm	D mm	MATERIAL	MATERIAL THICKNESS mm	P/N BOX	M.O.Q.
1	RING	1,25÷2,50	4,30	8,5	28	4,9	Cu-Sn PE	0,8	1880060	100
		1,25÷2,50	5,30	9,5	29	4,9	Cu-Sn PE	0,8	1880070	100
		1,25÷2,50	6,40	12,0	33	4,9	Cu-Sn PE	0,8	1880080	100
		1,25÷2,50	8,40	12,0	34	4,9	Cu-Sn PE	0,8	1880090	100
		1,25÷2,50	10,50	15,0	37	4,9	Cu-Sn PE	0,8	1880100	100
2	RING	2,5÷6	5,30	9,5	34	6,4	Cu-Sn PE	1,0	1880120	50
		2,5÷6	6,40	12,0	37	6,4	Cu-Sn PE	1,0	1880130	50
		2,5÷6	8,40	15,0	43	6,4	Cu-Sn PE	1,0	1880140	50
		2,5÷6	10,50	15,0	43	6,4	Cu-Sn PE	1,0	1880150	50
3	BUTT	0,75÷1,25	15,00	37,0	4,2	-	Cu-Sn PE	0,8	1880230	100
4	BUTT	1,25÷2,50	15,00	37,0	4,9	-	Cu-Sn PE	0,8	1880240	100
5	BUTT	2,5÷6	15,00	41,0	6,4	-	Cu-Sn PE	0,8	1880250	50

KITS



1

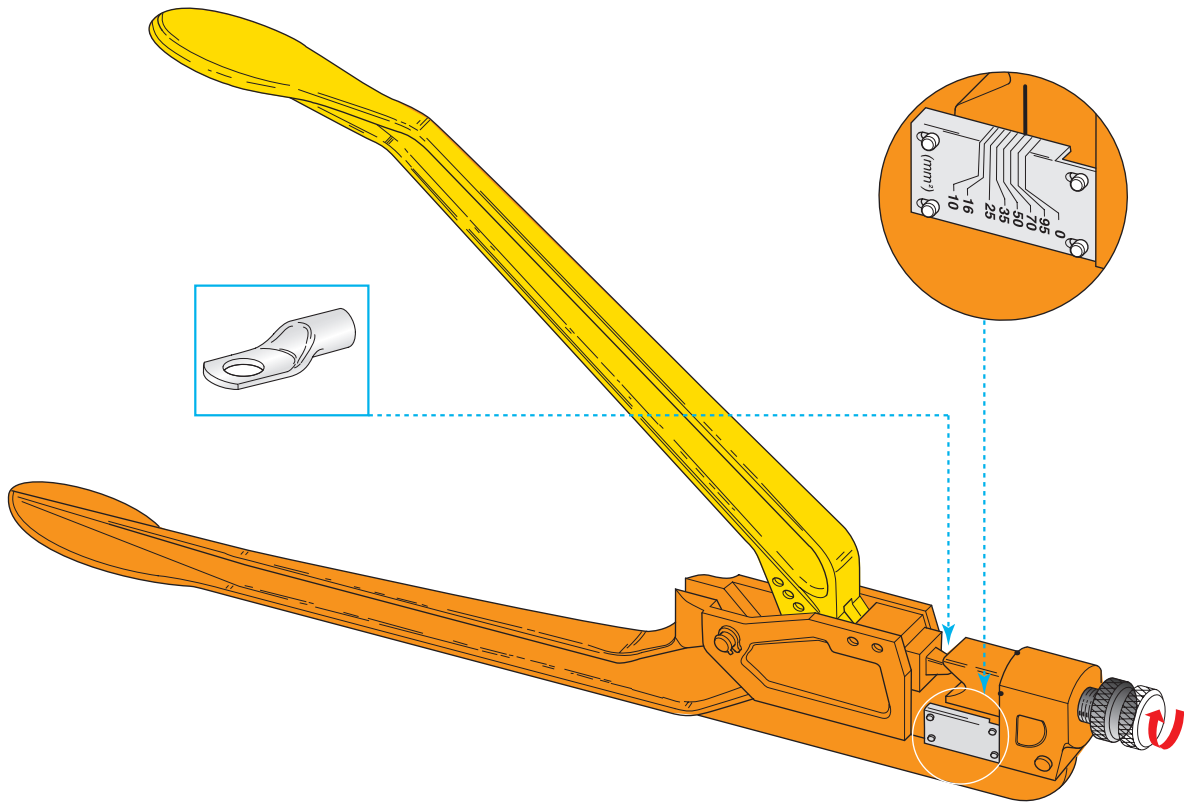


2

IMG	DESCRIPTION	PCS	COLOUR		P/N BOX	M.O.Q.
1	RING TERMINAL \varnothing 4,3	50	Red		1860000	1
	RING TERMINAL \varnothing 5,3	50	Red			
	RING TERMINAL \varnothing 6,4	40	Red			
	RING TERMINAL \varnothing 4,3	50	Blue			
	RING TERMINAL \varnothing 5,3	40	Blue			
	RING TERMINAL \varnothing 6,4	40	Blue			
	RING TERMINAL \varnothing 8,4	30	Blue			
	RING TERMINAL \varnothing 6,4	20	Yellow			
	RING TERMINAL \varnothing 8,4	20	Yellow			
	MALE TERMINAL 6,3	40	Red			
	MALE TERMINAL 6,3	40	Blue			
	FEMALE TERMINAL 6,3	40	Red			
	FEMALE TERMINAL 6,3	70	Blue			
	CRIMPING TOOL 9602460	1				
2	RING TERMINAL \varnothing 4,3	40	Red		1606855	1
	RING TERMINAL \varnothing 5,3	40	Red			
	RING TERMINAL \varnothing 4,3	40	Blue			
	RING TERMINAL \varnothing 5,3	40	Blue			
	RING TERMINAL \varnothing 6,4	40	Blue			
	RING TERMINAL \varnothing 8,4	25	Yellow			
	FEMALE TERMINAL 6,3	40	Red			
	FEMALE TERMINAL 6,3	40	Blue			

CRIMPING TOOLS

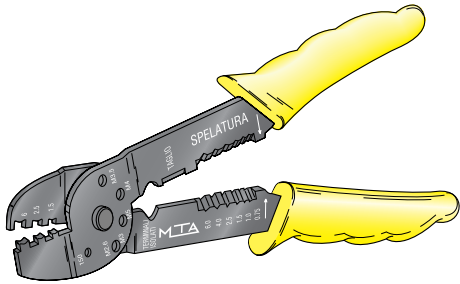
TUBULAR TERMINALS



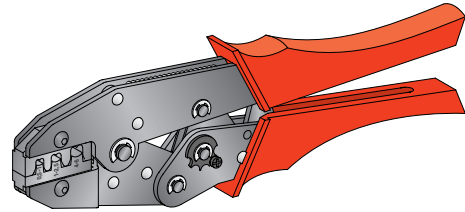
1

IMG	DESCRIPTION	WIRE SECTION mm ²	LENGTH mm	WEIGHT g	P/N BOX	M.O.Q.
1	TOOL FOR TUBULAR TERMINALS	10÷95	565÷585	2916	9602490	1

TERMINALS



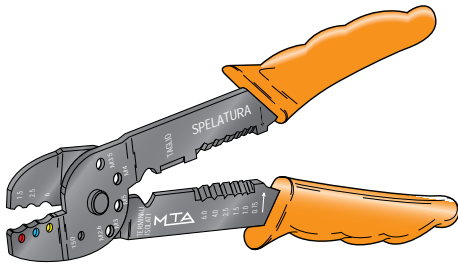
1



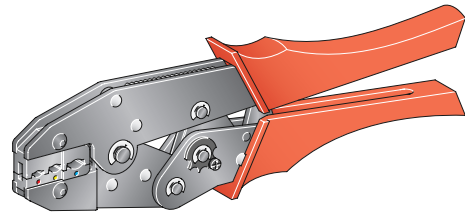
2

IMG	DESCRIPTION	WIRE SECTION mm2	P/N BOX	M.O.Q.
1	CRIMPING TOOL	1,5÷6	9602450	1
2	CRIMPING TOOL - PROFESSIONAL TYPE	0,5÷6	9602455	1

INSULATED TERMINALS



1

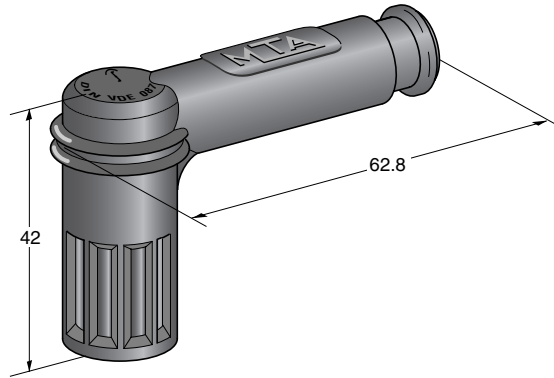


2

IMG	DESCRIPTION	WIRE SECTION mm ²	P/N BOX	M.O.Q.
1	CRIMPING TOOL	0,25÷6	9602460	1
2	CRIMPING TOOL - PROFESSIONAL TYPE	0,25÷6	9602500	1

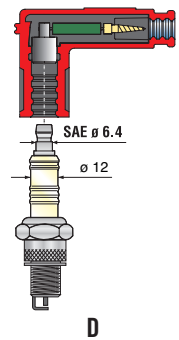
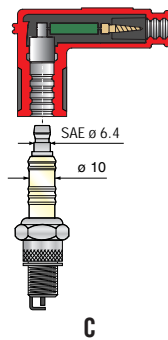
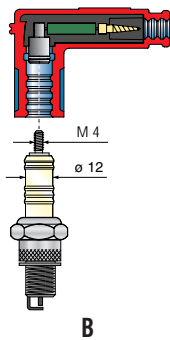
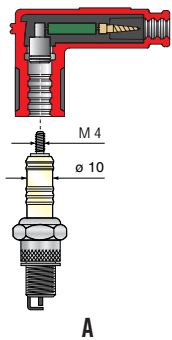
CAPS

SPARK PLUGS

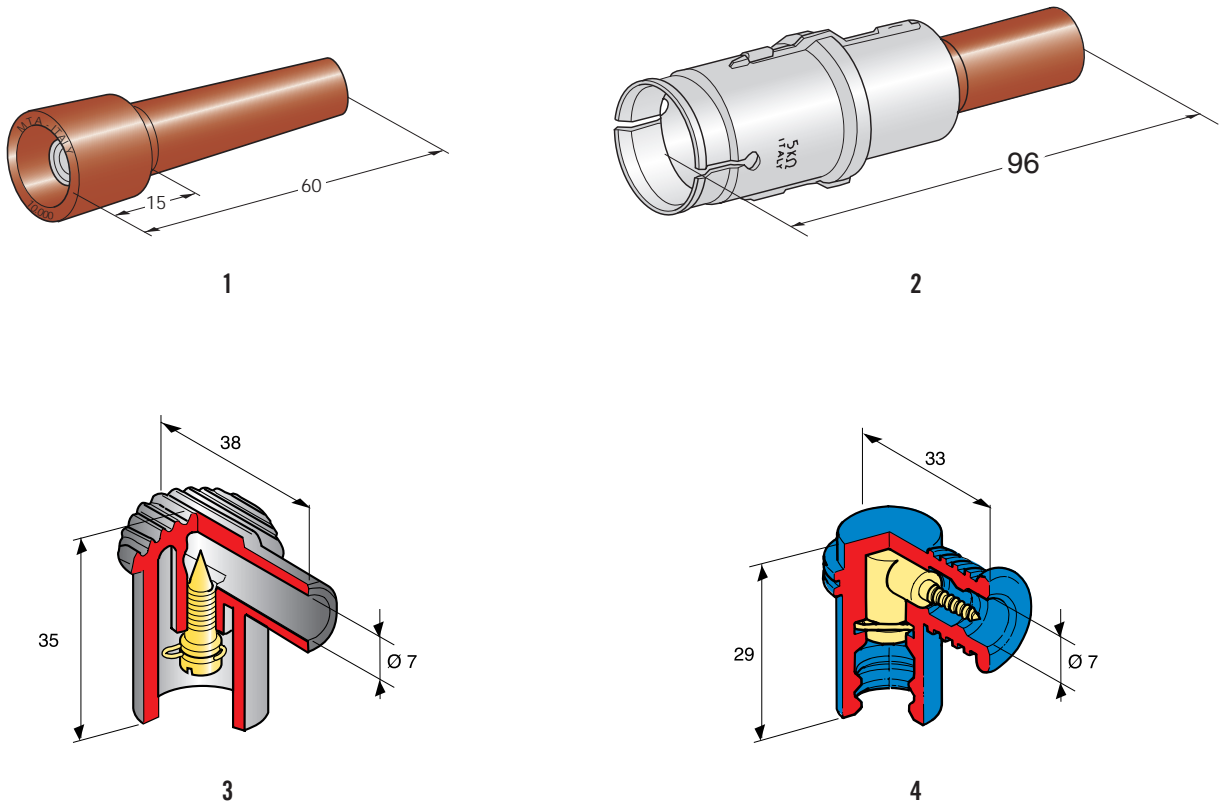


1

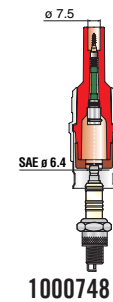
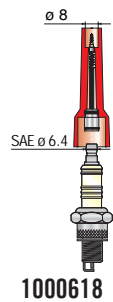
IMG	DESCRIPTION	SPARK PLUG	RESISTANCE Ω	MATERIAL	COLOUR	P/N BOX	M.O.Q.	P/N BULK	M.O.Q.
1	SPARK PLUG	A	5000	EPDM	Black	1000900	5	1900900	500
	SPARK PLUG	B	5000	EPDM	Blue	1000910	5	1900910	500
	SPARK PLUG	C	5000	EPDM	Black			1900920	500
	SPARK PLUG	D	5000	EPDM	Black	1000930	5	1900930	500
	SPARK PLUG	D	5000	EPDM	Red			1900940	500



SPARK PLUGS



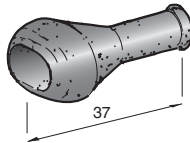
IMG	DESCRIPTION	MATERIAL	RESISTANCE Ω	CABLE mm	P/N BOX	M.O.Q.
1	SUPPRESSOR WITH WIRE WOUND RESISTOR	PBT GF20	5000	-	1000618	50
2	SUPPRESSOR WITH WIRE WOUND RESISTOR	PBT GF30 V0	10000	-	1000748	10
3	SPARK PLUG WITH CARBON RESISTOR	PVC CuZn	-	7	1200580	50
4	SPARK PLUG WITH CARBON RESISTOR	EPDM CuZn	-	7	1200590	50
	SPARK PLUG WITH WIRE WOUND RESISTOR	EPDM CuZn	-	7	1900590	1000



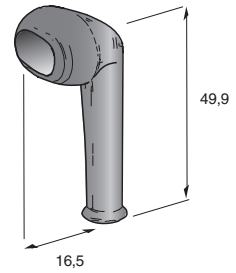
CAPS



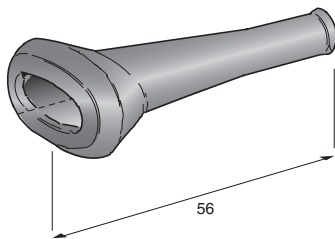
1



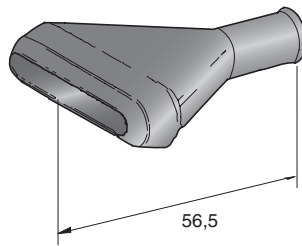
2



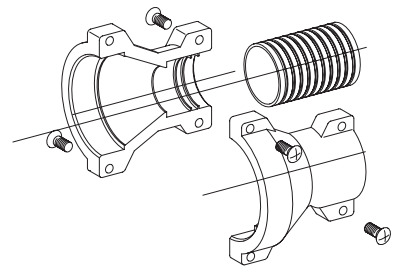
3



4



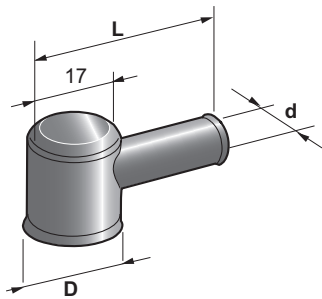
5



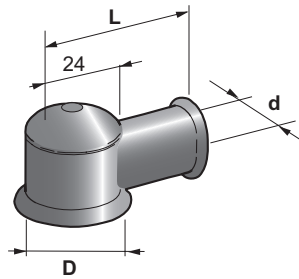
6

IMG	DESCRIPTION	WAY	\varnothing mm	MATERIAL	COLOUR	P/N BOX	M.O.Q.	P/N BULK	M.O.Q.
1	CAP FOR CONNECTOR JT	2		Rubber	■ Black	4420901	10	4520901	500
2	CAP FOR CONNECTOR JT	2		Rubber	■ Black	4420902	10	4520902	500
3	CAP FOR CONNECTOR JPT	2		Rubber	■ Black	4420911	10	4520911	500
4	CAP FOR CONNECTOR JPT	3		Rubber	■ Black	4420921	10	4520921	500
5	CAP FOR CONNECTOR JT	7		Rubber	■ Black	4420931	5	4520931	500
6	ADAPTOR FOR CONNECTORS		44,6	PA66	■ Black			4551575	500

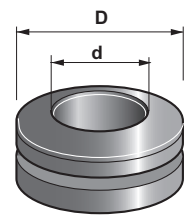
CAPS



1



2

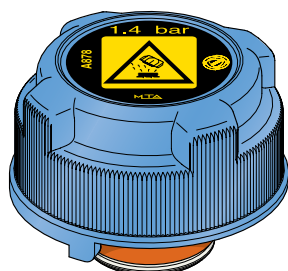


3

IMG	DESCRIPTION	L	d	D	MATERIAL	COLOUR	P/N BOX	M.O.Q.	P/N BULK	M.O.Q.
1	CAP	37	6	11	PVC	■ Black			4410300	100
	CAP	41	7,5	15	PVC	■ Black			4410310	100
	CAP	61	9	16	PVC	■ Black			4410320	100
2	ALTERNATOR CAP	48	11	21	CR60	■ Black	4410400	10	4510400	500
3	FAIRLEAD		9	16,5	PVC	■ Black			4410360	250

RADIATOR/OIL/GASOLINE CAPS

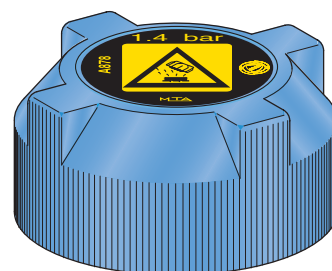
RADIATOR



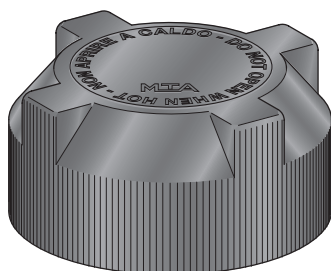
1



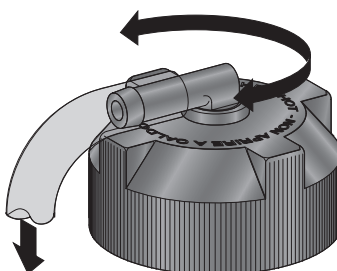
2



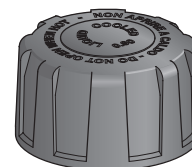
3



4

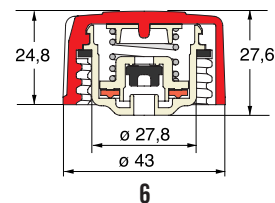
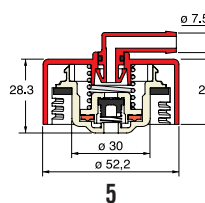
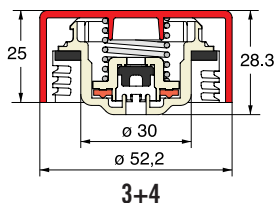
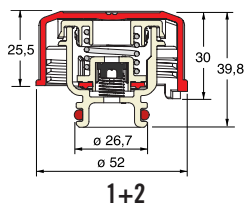


5

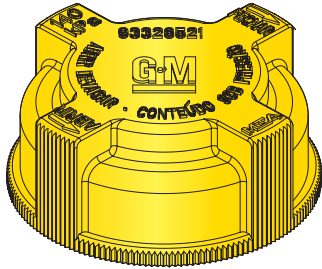


6

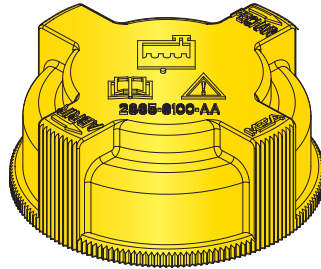
IMG	DESCRIPTION	PRESSION BAR	DEPRESSION BAR	MATERIAL	COLOUR	P/N BOX	M.O.Q.	P/N BULK	M.O.Q.
1	RADIATOR CAP	1	0,04 - 0,10	PP GF30	Blue			5056005	500
	RADIATOR CAP	1,4	0,04 - 0,10	PP GF30	Blue	5014877	1	5056000	500
2	RADIATOR CAP	1,4	0,04 - 0,10	PP GF30	Green			5056008	300
3	RADIATOR CAP	1	0,04 - 0,10	PP GF30	Black	5014862	1	5050123	200
	RADIATOR CAP	1,4	0,04 - 0,10	PP GF30	Blue	5014873	1	5050103	200
4	RADIATOR CAP	1	0,04 - 0,10	PP GF30	Black	5014861	1	5114861	200
	RADIATOR CAP	1,2	0,04 - 0,10	PP GF30	Black			5050124	200
5	RADIATOR CAP	0,5	0,04 - 0,10	PP GF30	Black	5014900	1	5050090	200
	RADIATOR CAP	1	0,04 - 0,10	PP GF30	Black	5014901	1	5114901	200
	RADIATOR CAP	1,4	0,04 - 0,10	PP GF30	Blue			5050108	200
6	RADIATOR CAP	0,9	0,04 - 0,10	PP GF30	Black			5050097	270
	RADIATOR CAP	1,1	0,04 - 0,10	PP GF30	Black			5050121	270



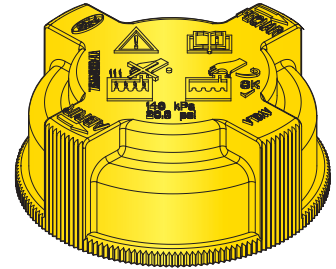
RADIATOR



1



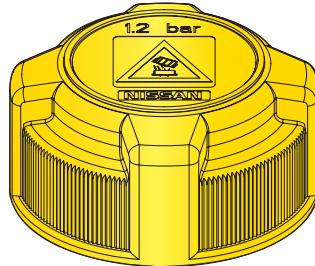
2



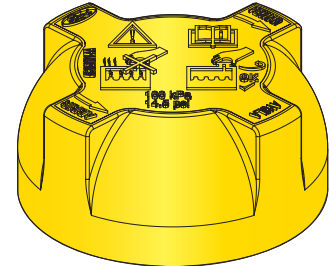
3



4



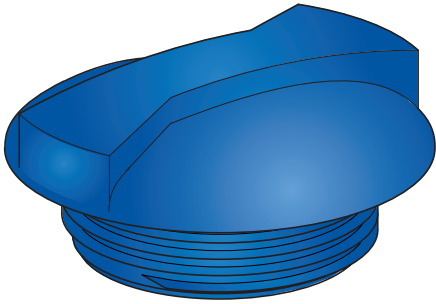
5



6

IMG	DESCRIPTION	PRESSION BAR	DEPRESSION BAR	MATERIAL	COLOUR	P/N	M.O.Q.
1	RADIATOR CAP GM	1,4	0,15 Max	PP GF30	Yellow	5050140	500
2	RADIATOR CAP (FORD)	1,4	0,04 - 0,10	PP GF30	Yellow	5050143	500
	RADIATOR CAP (FORD)	1,4	0,04 - 0,10	PP GF30	Black	5050156	200
3	RADIATOR CAP FORD	1,4	0,04 - 0,10	PP GF30	Yellow	5050147	500
	RADIATOR CAP FORD	1,4	0,04 - 0,10	PP GF30	Black	5050155	200
4	RADIATOR CAP FIAT	1,0	0,04 - 0,10	PP GF30	Yellow	5050126	500
	RADIATOR CAP FIAT	1,4	0,04 - 0,10	PP GF30	Yellow	5050127	500
5	RADIATOR CAP NISSAN	1,2	0,04 - 0,10	PP GF30	Yellow	5050227	500
6	RADIATOR CAP FORD TRUCK	1,0	0,15 Max	PP GF30	Yellow	5050136	500

RADIATOR



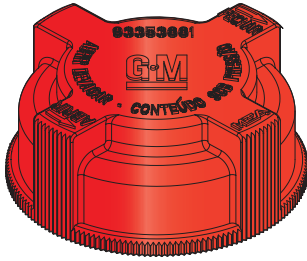
1



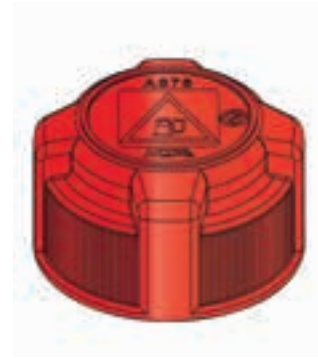
2

IMG	DESCRIPTION	PRESSION BAR	MATERIAL	COLOUR	P/N	M.O.Q.
1	RADIATOR CAP VOLKSWAGEN - SEAT	1,4	PP GF30	Blue	5014868	1
2	RADIATOR CAP	1,12	COMPONENTS AND SPRING INOX STEEL		5014830	1

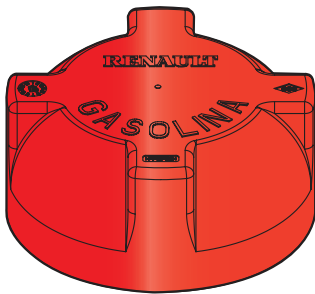
GASOLINE



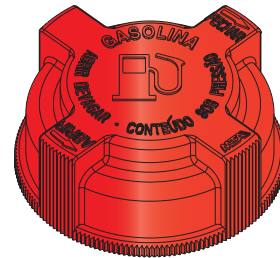
1



2



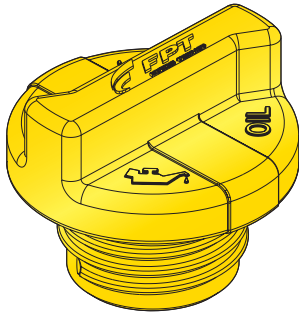
3



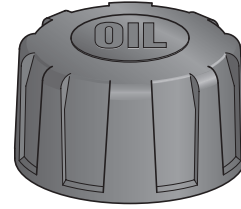
4

IMG	DESCRIPTION	PRESSION BAR	DEPRESSION BAR	MATERIAL	COLOUR	P/N	M.O.Q.
1	GASOLINE CAP GM	0,35	0,08 Max	PP GF30	Red	5050128	500
2	GASOLINE CAP FIAT	0,6	0,04 - 0,10	PP GF30	Red	5051108	500
3	GASOLINE CAP RENAULT	0,6	0,04 - 0,10	PP GF30	Red	5151137	500
4	GASOLINE CAP PSA	1,4	0,08 Max	PP GF30	Red	5050135	500

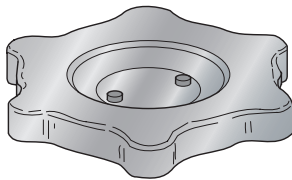
OIL



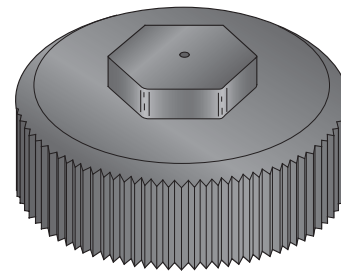
1



2



3

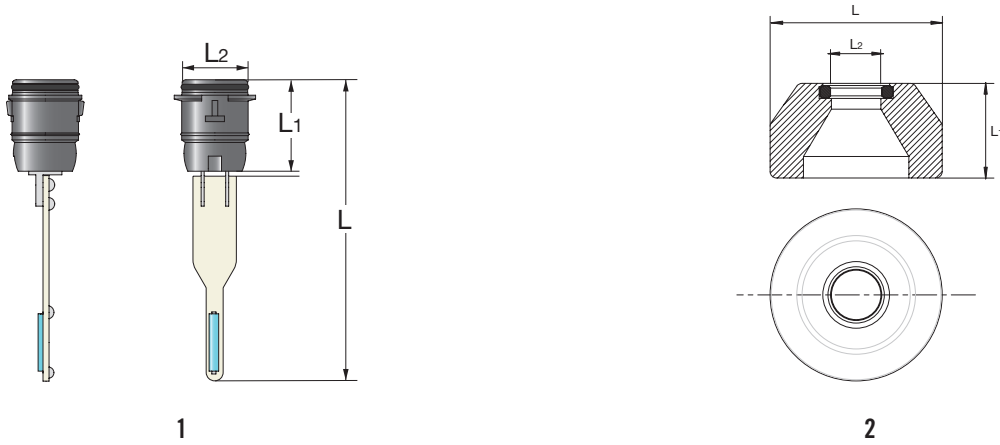


4

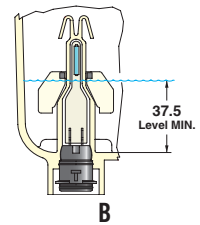
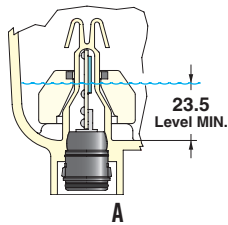
IMG	DESCRIPTION	MATERIAL	COLOUR	P/N	M.O.Q.
1	OIL CAP FIAT/FORD	PP GF30	Yellow	5050133	500
2	VENTED OIL CAP PIAGGIO	PP GF30		5050106	270
3	OIL SUMP CAP WITHOUT BREATHER PIPE FIAT UNIVERSAL	FE- Zn (T)	Black	5415400	10
4	DIESEL OIL TANK FOR TRUCKS	PP	Black	5515870	5

SENSORS

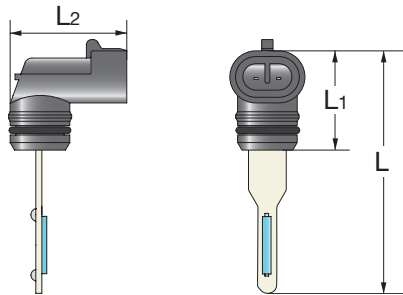
LEVEL SENSORS



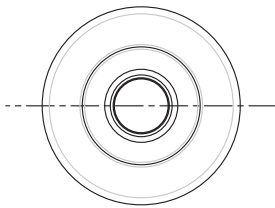
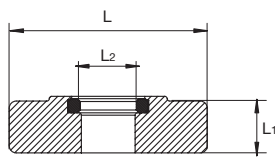
IMG	DESCRIPTION	TYPE	L mm	L1 mm	L2 mm	MATERIAL	P/N	M.O.Q.
1	LEVEL SENSOR	A	58,15	24,25	17,35	PA66	7050090	600
	LEVEL SENSOR	B	79,65	24,25	17,35	PA66	7050091	400
2	FLOAT	A-B	40	22	11,5	PP	7057091	1000



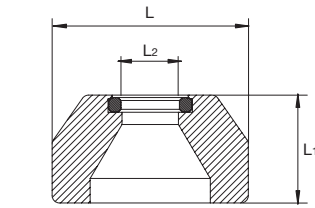
LEVEL SENSORS



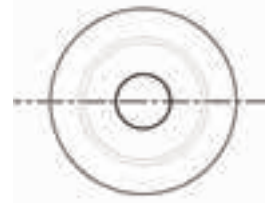
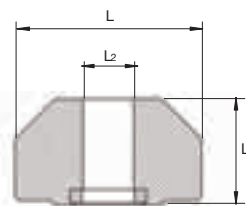
1



3

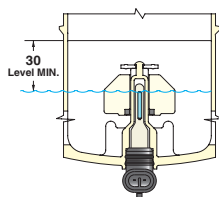


2

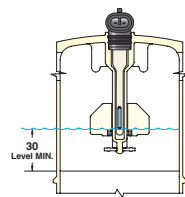


4

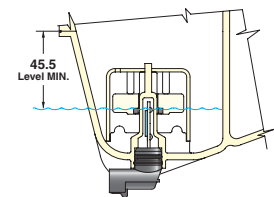
IMG	DESCRIPTION	TYPE	L mm	L1 mm	L2 mm	MATERIAL	P/N	M.O.Q.
1	LEVEL SENSOR	A	64,4	26,4	30,9	PA66	7050088	600
	LEVEL SENSOR	B	84,4	26,4	30,9	PA66	7050096	400
	LEVEL SENSOR	C	53,7	26,4	30,9	PA66	7050092	600
	LEVEL SENSOR	A	64,4	26,4	30,9	PA66	7050100	600
	LEVEL SENSOR	A	64,4	26,4	30,9	PA66	7050101	600
2	FLOAT		40	22	11,5	PP White	7057091	1000
3	FLOAT	A	42	11	11,4	PA Light Blue	7057093	1000
	FLOAT	C	42	11	11,4	PP White	7057092	700
4	FLOAT	A-B	42	24	11,4	PP White	7057088	1000



A

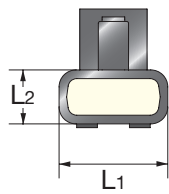


B

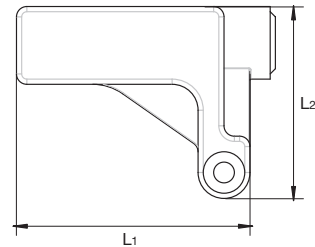
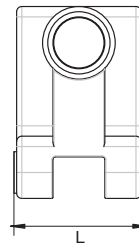
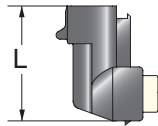


C

LEVEL SENSORS

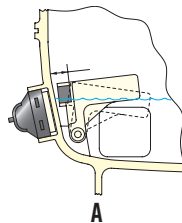


1



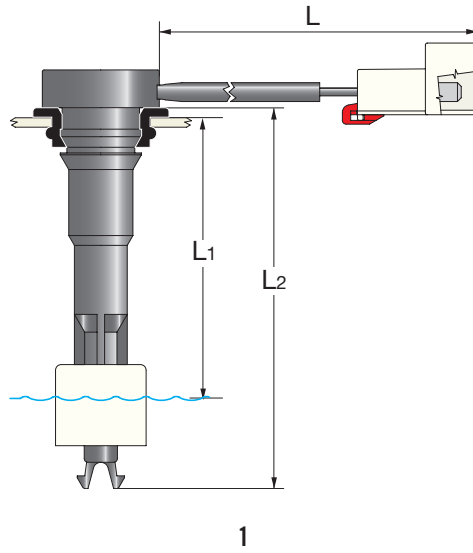
2

IMG	DESCRIPTION	TYPE	L mm	L1 mm	L2 mm	MATERIAL	P/N	M.O.Q.
1	LEVEL SENSOR	A	30,45	28,8	14,3	PA66	7050081	620
2	FLOAT	A	25	45	25	PP	7057081	1000

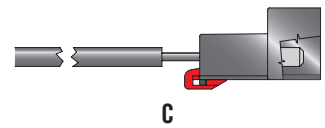
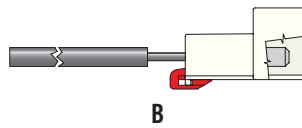
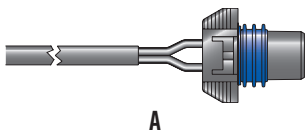


A

LEVEL SENSORS

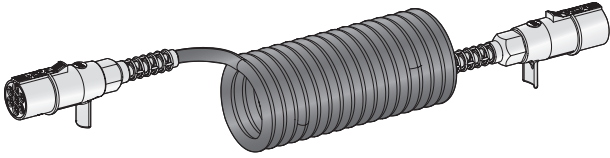


IMG	DESCRIPTION	TYPE	L mm	L1 mm.	L2 mm	MATERIAL	P/N	M.O.Q.
1	LEVEL SENSOR	C	~ 300	51÷56	80	PP	7050055	720
	LEVEL SENSOR	B	~ 200	82,5÷87,5	121	PP	7050072	240
	LEVEL SENSOR	C	~ 300	49÷54	75	PP	7050075	720
	LEVEL SENSOR	A	~ 215	82,5÷87,5	121	PP	7050082	240



CABLES

SPIRAL CABLE WITH CONNECTORS



1



2



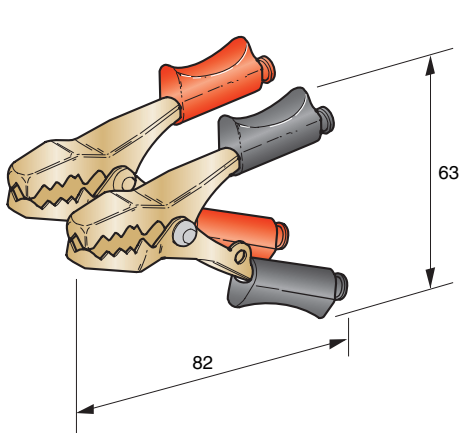
3



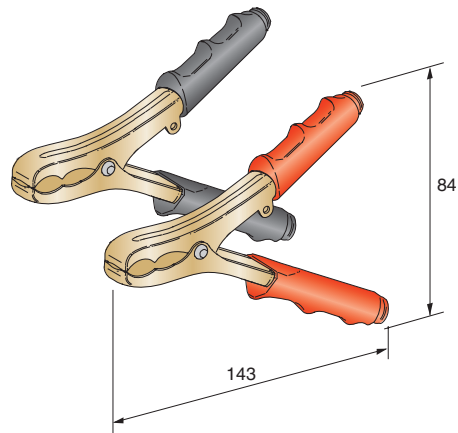
4

IMG	DESCRIPTION	PIN N.	SPIRAL COLOUR	MAX LENGTH mm	P/N BOX	M.O.Q.
1	SPIRAL CABLE VOLKSWAGEN	7	Black	4200	9815530	10
	SPIRAL CABLE FORD	7	Red	5500	9815540	10
2	SPIRAL CABLE FORD	15-7	Red	5500	9815550	10
	SPIRAL CABLE VOLKSWAGEN	15-7	Black	5500	9815561	TBD
	SPIRAL CABLE VOLVO	15-7	Black	5500	9815560	TBD
3	SPIRAL CABLE	7	Black	4500	9815562	TBD
4	SOCKET FOR SPIRAL CABLE	15	-	-	2550087	50

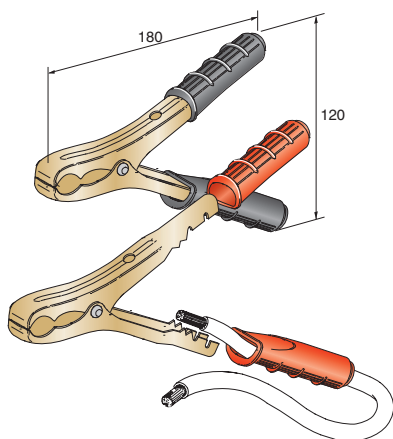
CHARGING CLIPS



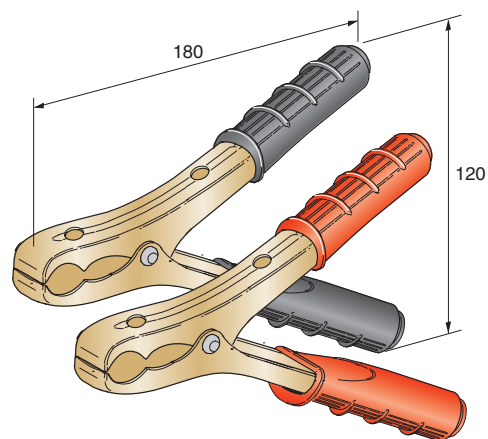
1



2



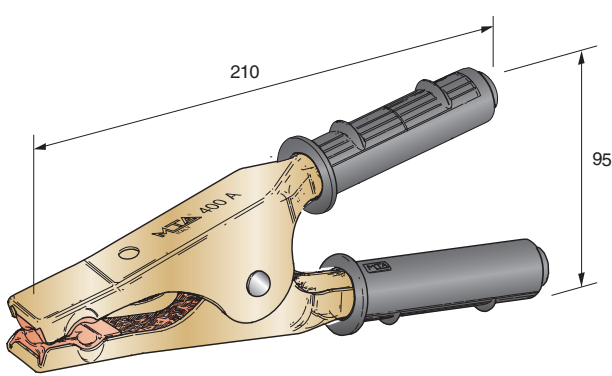
3



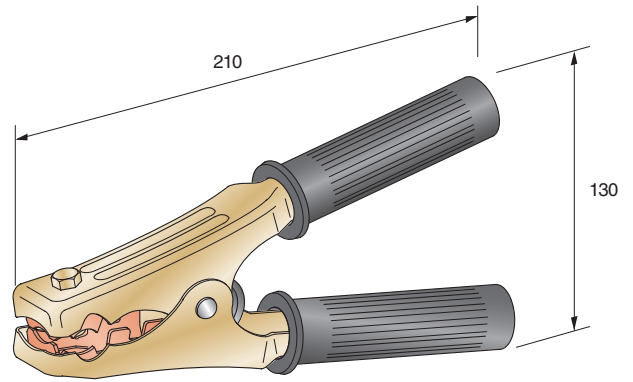
4

IMG	DESCRIPTION	AMP	COLOUR	WIRE SECTION mm ²	P/N BOX	M.O.Q.	P/N BULK	M.O.Q.
1	CHARGING CLIP	40 A	■ ■ Red+Black	6÷10	4814220	20		
	CHARGING CLIP	40 A	■ Red	6÷10	4814221	20	4914221	300
	CHARGING CLIP	40 A	■ Black	6÷10	4814222	20	4914222	300
2	CHARGING CLIP	100 A	■ ■ Red+Black	10÷25	4814252	4		
	CHARGING CLIP	100 A	■ Red	10÷25	4814256	4	4914256	200
	CHARGING CLIP	100 A	■ Black	10÷25	4814257	4	4914257	200
3	CHARGING CLIP	120 A	■ ■ Red+Black	10÷35	4814251	4		
	CHARGING CLIP	120 A	■ Red	10÷35	4814258	4	4914258	100
	CHARGING CLIP	120 A	■ Black	10÷35	4814259	4	4914259	100
4	CHARGING CLIP	200 A	■ ■ Red+Black	10÷35	4814255	4		
	CHARGING CLIP	200 A	■ Red	10÷35	4814262	4	4914262	100
	CHARGING CLIP	200 A	■ Black	10÷35	4814264	4	4914264	100

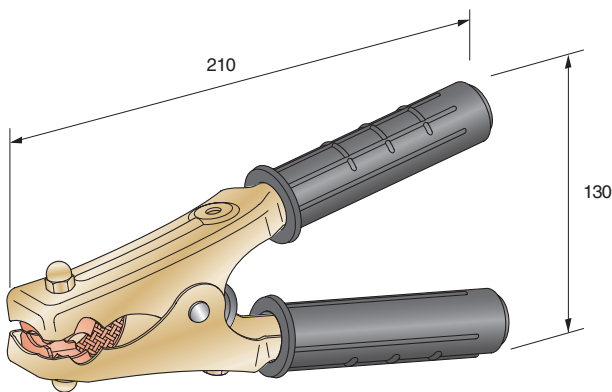
CHARGING CLIPS



1

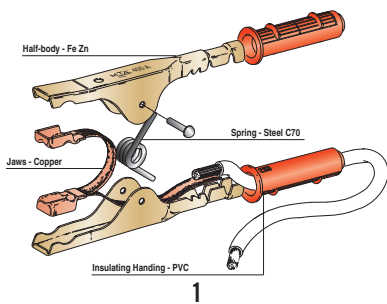


2

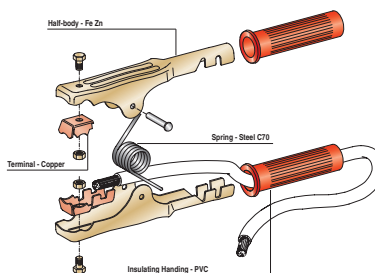


3

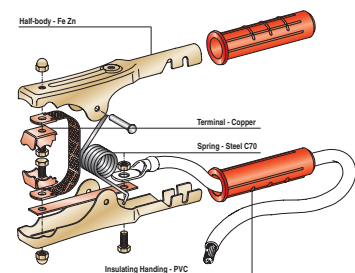
IMG	DESCRIPTION	AMP	COLOUR	WIRE SECTION mm2	P/N BOX	M.O.Q.	P/N BULK	M.O.Q.
1	CHARGING CLIPS	400 A	■ Red+Black	10÷30	4814250	4		
	CHARGING CLIPS	400 A	■ Red	10÷30	4814267	4	4914267	50
	CHARGING CLIPS	400 A	■ Black	10÷30	4814268	4	4914268	50
2	CHARGING CLIPS	500 A	■ Red+Black	35÷50	4814311	4		
	CHARGING CLIPS	500 A	■ Red	35÷50	4914312	25		
	CHARGING CLIPS	500 A	■ Black	35÷50	4914313	25		
3	CHARGING CLIPS	600 A	■ Red+Black	50	4814321	4		
	CHARGING CLIPS	600 A	■ Red	50	4914322	25		
	CHARGING CLIPS	600 A	■ Black	50	4914323	25		



1

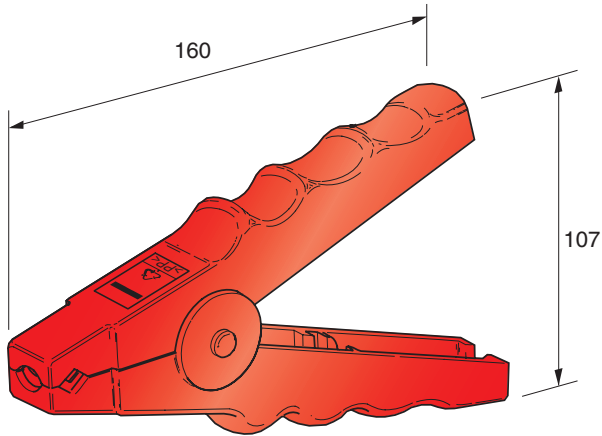


2

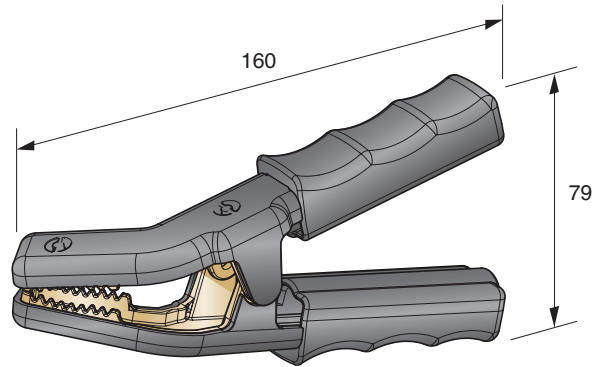


3

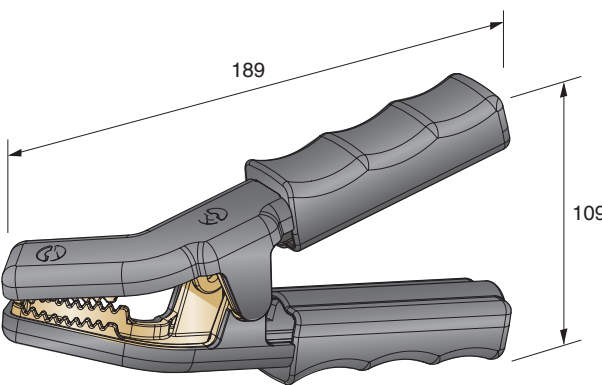
CHARGING CLIPS



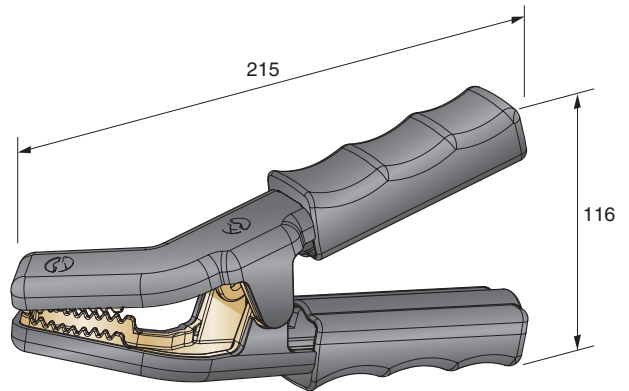
1



2

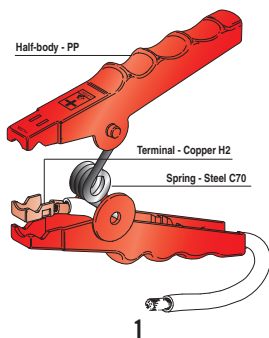


3

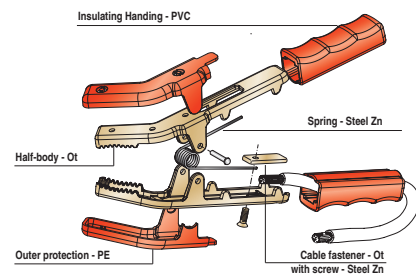


4

IMG	DESCRIPTION	AMP	COLOUR	WIRE SECTION mm2	P/N BOX	M.O.Q.	P/N BULK	M.O.Q.
1	CHARGING CLIPS	300 A	■ Red+Black	10÷25	4814254	4		
	CHARGING CLIPS	300 A	■ Red	10÷25			4914265	150
	CHARGING CLIPS	300 A	■ Black	10÷25			4914266	150
2	CHARGING CLIPS	650 A	■ Red+Black	10÷35	4814330	4		
3	CHARGING CLIPS	850 A	■ Red+Black	25÷70	4814331	4		
	CHARGING CLIPS	850 A	■ Red	25÷70	4914327	17		
	CHARGING CLIPS	850 A	■ Black	25÷70	4914326	17		
4	CHARGING CLIPS	1000 A	■ Red+Black	35÷70	4814332	4		



1



2+3+4

BOOSTER CABLES



1



2



3



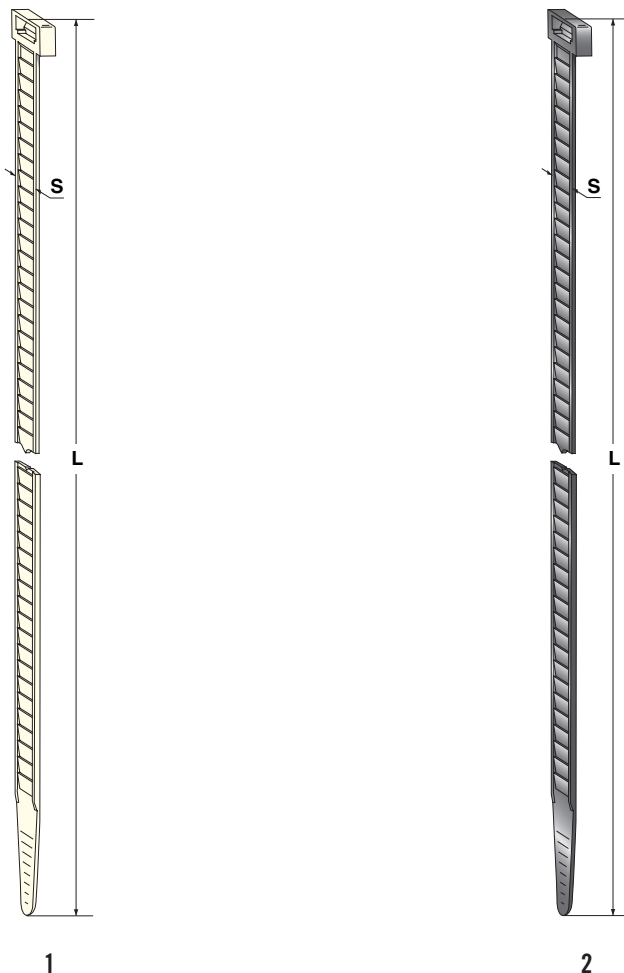
4

IMG	DESCRIPTION	MATERIAL	AMP	L mm	WIRE SECTION mm2	P/N BOX	M.O.Q.
1	BOOSTER CABLES	HI-FLEX	120 A	2500	10	4814261	1
		HI-FLEX	120 A	2500	16	4814271	1
		HI-FLEX	120 A	3500	16	4814272	1
		HI-FLEX	120 A	2500	25	4814281	1
		HI-FLEX	120 A	3500	25	4814282	1
2	BOOSTER CABLES	HI-FLEX	300 A	3000	16	4814341	1
		HI-FLEX	300 A	2500	25	4814350	1
		HI-FLEX	300 A	3500	25	4814351	1
3	BOOSTER CABLES	HI-FLEX	400 A	3500	25	4814290	1
		HI-FLEX	400 A	5000	25	4814291	1
4	BOOSTER CABLES	HI-FLEX	500 A	5000	35	4814295	1
		HI-FLEX	500 A	3500	50	4814373	1
		HI-FLEX	500 A	5000	50	4814375	1
	BOOSTER CABLES	HI-FLEX	600 A	5000	50	4814361	1

REUSABLE BAG WITH HANDLES
19 LANGUAGES INSTRUCTIONS

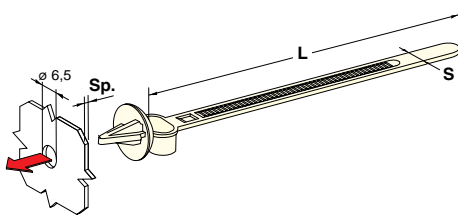
CABLES FIXING

SELF EXTINGUISHING CABLE TIES

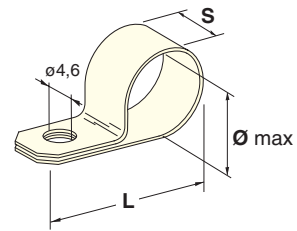


IMG.	DESCRIPTION	MATERIAL	OPERATION TEMP	L mm	S mm	Ø mm	Kg mm	P/N WHITE	M.O.Q.	P/N BLACK	M.O.Q.
1/2	SELF EXTINGUISHING CABLE TIE	PA66 V2 - UL94	-40°C +85°C	75	2,2	15	7			4621400	100
		PA66 V2 - UL94	-40°C +85°C	98	2,5	20	8	4621110	100	4621410	100
		PA66 V2 - UL94	-40°C +85°C	135	2,5	25	8	4621120	100	4621420	100
		PA66 V2 - UL94	-40°C +85°C	200	2,6	50	8	4621130	100	4621430	100
		PA66 V2 - UL94	-40°C +85°C	140	3,6	30	13	4621140	100	4621440	100
		PA66 V2 - UL94	-40°C +85°C	290	3,6	75	13	4621150	100	4621450	100
		PA66 V2 - UL94	-40°C +85°C	160	4,5	36	18			4621460	100
		PA66 V2 - UL94	-40°C +85°C	178	4,8	40	22	4621170	100	4621470	100
		PA66 V2 - UL94	-40°C +85°C	200	4,8	50	22	4621180	100	4621480	100
		PA66 V2 - UL94	-40°C +85°C	250	4,8	62	22	4621190	100	4621490	100
		PA66 V2 - UL94	-40°C +85°C	290	4,8	75	22	4621200	100	4621500	100
		PA66 V2 - UL94	-40°C +85°C	360	4,8	100	22	4621210	100	4621510	100
		PA66 V2 - UL94	-40°C +85°C	120	7,8	20	54			4621520	100
		PA66 V2 - UL94	-40°C +85°C	180	7,8	40	54			4621530	100
		PA66 V2 - UL94	-40°C +85°C	240	7,8	50	54	4621240	100	4621540	100
		PA66 V2 - UL94	-40°C +85°C	300	7,8	77	54			4621550	100
		PA66 V2 - UL94	-40°C +85°C	365	7,8	100	54	4621260	100	4621560	100
		PA66 V2 - UL94	-40°C +85°C	450	7,8	125	54	4621270	100	4621570	100
		PA66 V2 - UL94	-40°C +85°C	540	7,8	150	54	4621280	100	4621580	100
		PA66 V2 - UL94	-40°C +85°C	750	7,8	200	54			4621590	100

CABLE CLIPS



1

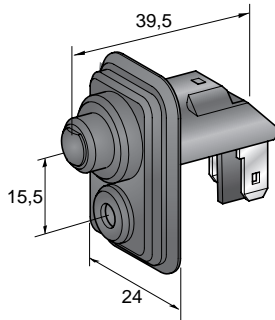


2

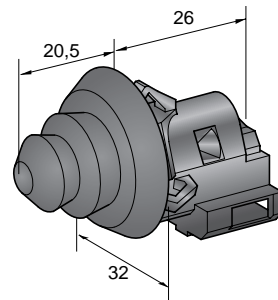
IMG	DESCRIPTION	MATERIAL	L mm	S mm	Ø mm	Sp mm		P/N BOX	M.O.Q.
1	REUSABLE TIE	PA66 V2 - UL94	140	6,5	6÷35	0,6÷2		4621051	200
	REUSABLE TIE	PA66 V2 - UL94	100	6	2÷16	0,6÷1,5		4621052	200
2	FIXING TUBE CLAMP	PA66	19,8	9,6	4,8	-		4612110	100
	FIXING TUBE CLAMP	PA66	22	10	6,35	-		4612120	100
	FIXING TUBE CLAMP	PA66	22	10	7,9	-		4612130	100
	FIXING TUBE CLAMP	PA66	24	12	9,5	-		4612140	100
	FIXING TUBE CLAMP	PA66	31	12	12,7	-		4612150	100
	FIXING TUBE CLAMP	PA66	34,3	12	15,8	-		4612160	100
	FIXING TUBE CLAMP	PA66	35	12	19,4	-		4612170	100
	FIXING TUBE CLAMP	PA66	43	12	25,4	-		4612180	100

SWITCHES

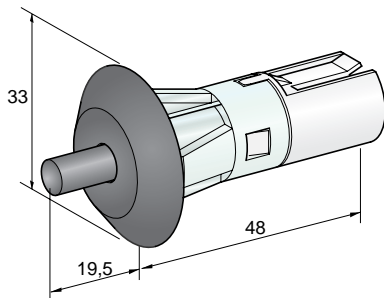
PRESS SWITCHES



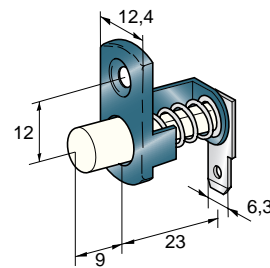
1



2



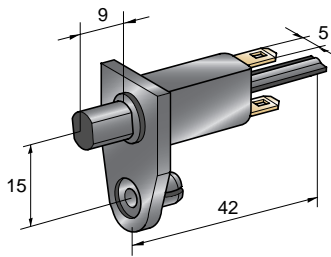
3



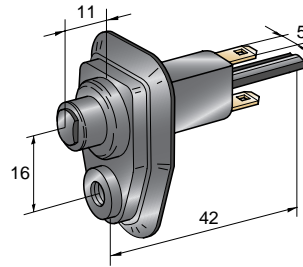
4

IMG	DESCRIPTION	APPLICATION	P/N BOX	M.O.Q.
1	PRESS SWITCH	DOORS BRAVO - BRAVA - PALIO	4209652	1
2	PRESS SWITCH	MULTIFUNCTIONAL - RENAULT	4209655	1
3	PRESS SWITCH	DOORS PEUGEOT	4209665	1
4	PRESS SWITCH	DOORS FIAT RITMO - PANDA - 131 - 132 - 128	4209500	1

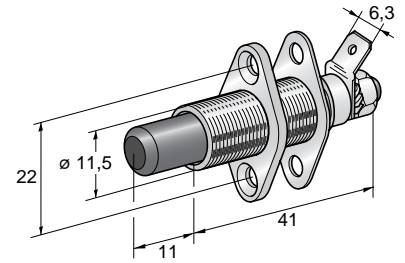
PRESS SWITCHES



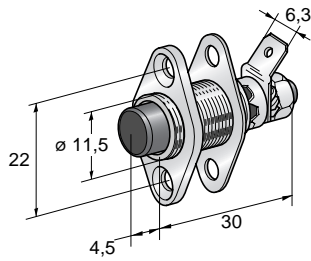
1



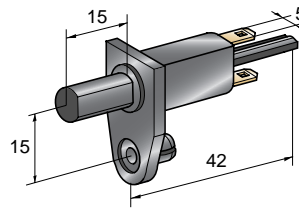
2



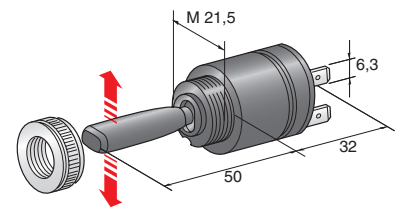
3



4



5

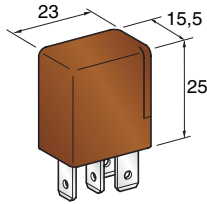


6

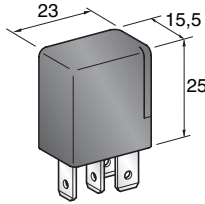
IMG	DESCRIPTION	APPLICATION	P/N BOX	M.O.Q.
1	PRESS SWITCH	DOORS FIAT UNO	4209520	1
2	PRESS SWITCH	DOORS FIAT CROMA - LANCIA THEMA	4209530	1
3	PRESS SWITCH	AUTOALARM, DOORS, TAILGATES	4209570	1
4	PRESS SWITCH	AUTOALARM, DOORS, TAILGATES	4209580	1
5	PRESS SWITCH	BOOT ALFA 164	4209590	1
6	PRESS SWITCH	TRACTOR LIGHT	4208800	1

SUNDRIES

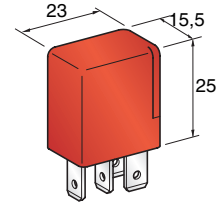
RELAYS



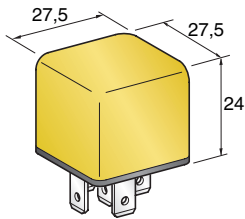
1



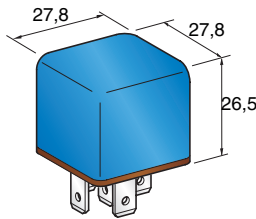
2



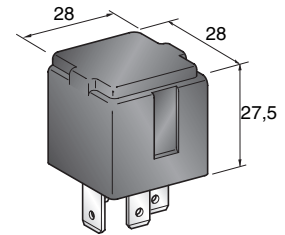
3



4

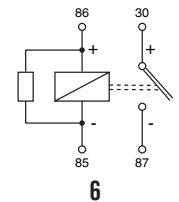
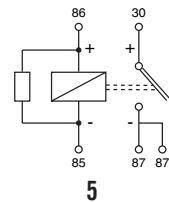
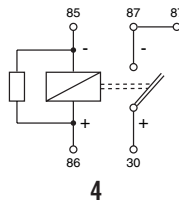
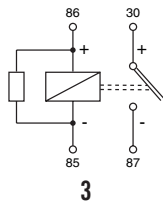
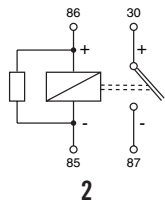
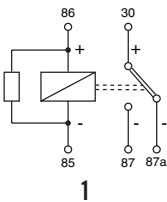


5

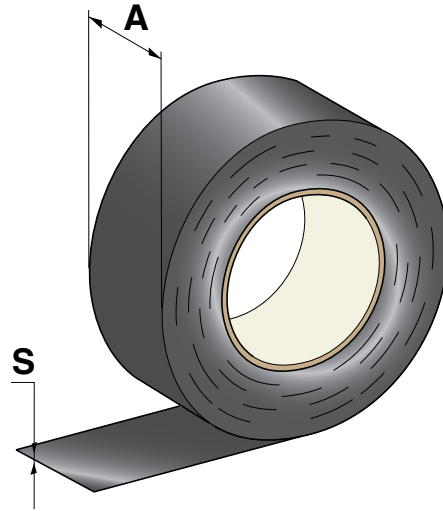


6

IMG	DESCRIPTION	COLOUR	RATED CURRENT WITH 80° C	RATED VOLTAGE	WORKING TEMPERATURE T.min/T.max	P/N BOX	M.O.Q.
1	MICRO RELAY	■ Brown	10A (NC) - 20A (NO)	12 V	-40°C +125°C	0603000	1
2	MICRO RELAY	■ Black	20A (NO)	12 V	-40°C +125°C	0603010	1
3	MICRO RELAY	■ Red	30A (NO)	12 V	-40°C +125°C	0603020	1
4	MINI RELAY	■ Yellow	30A (NO)	12 V	-30°C +80°C	0603030	1
5	MINI RELAY	■ Blue	30A (NO)	12 V	-40°C +125°C	0603040	1
6	MAXI RELAY	■ Black	50A (NO)	12 V	-40°C +125°C	0603050	1



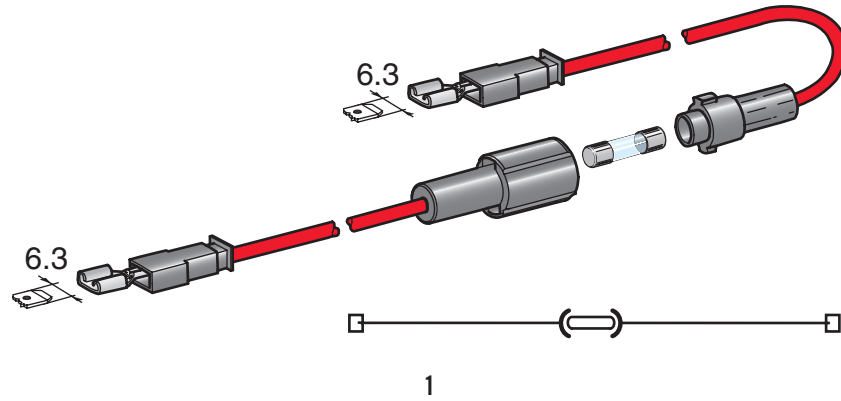
SELF EXTINGUISHING INSULATING TAPE



1

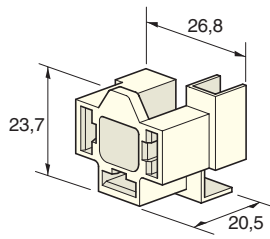
IMG	DESCRIPTION	MATERIAL	COLOUR	A mm	L mm	S mm	P/N BOX	M.O.Q.
1	SELF-EXTINGUISHING INSULATING TAPE	PVC - V0	■ Black	15	10000	0,15	4640100	10
	SELF-EXTINGUISHING INSULATING TAPE	PVC - V0	■ Red	15	10000	0,15	4640110	10
	SELF-EXTINGUISHING INSULATING TAPE	PVC - V0	■ Black	15	25000	0,15	4640200	10
	SELF-EXTINGUISHING INSULATING TAPE	PVC - V0	■ Black	19	25000	0,15	4640300	10
	SELF-EXTINGUISHING INSULATING CLOTH TAPE	RAYON	■ Black	19	25000	0,28	0100302	96

CAR RADIO WIRES

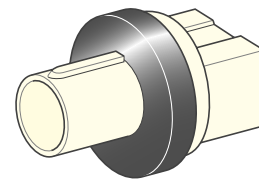


IMG	DESCRIPTION	CABLE	L mm	P/N BOX	M.O.Q.
1	CAR RADIO FEEDING WIRE	0,8	500	2608241	10

LAMP HOLDERS



1



2

IMG	DESCRIPTION	MATERIAL	P/N BOX	M.O.Q.
1	3WAY LAMP HOLDER	PA	4410510	50
2	PARKING LIGHTS AND DASHBOARD FOR LAMPS WITH W 2.1 X 9.5 D SOCKET		4008500	50

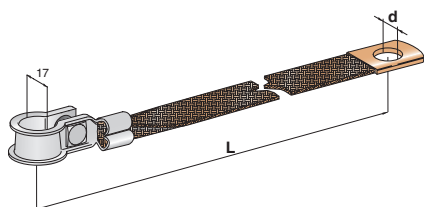
CONNECTIONS AND FIXINGS



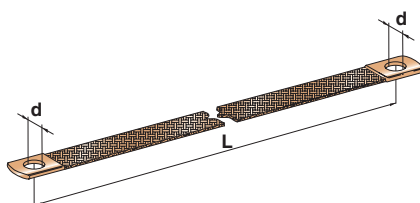
FASTON F800
W/LOCK NOTCH

IMG 1

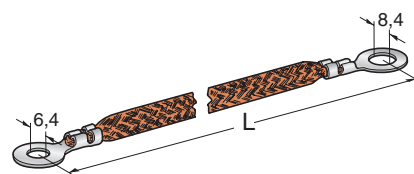
GROUND CONNECTIONS



1



2

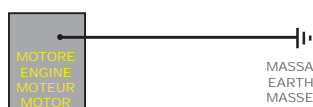


3

IMG	DESCRIPTION	WIRE SECTION mm2	d mm	L mm		P/N BOX	M.O.Q.
1	EARTH CONNECTION	25	12,5	300		2508681	1
		25	12,5	400		2508682	1
		25	12,5	500		2508683	1
2	EARTH CONNECTION	10	8,4	210		2508650	1
		10	8,4	280		2508652	1
		15	10,4	330		2508660	1
		15	10,4	450		2508661	1
		15	10,4	280		2508662	1
		15	10,4	210		2508663	1
		25	12,5	320		2508670	1
		25	12,5	230		2508671	1
3	EARTH CONNECTION	25	12,5	400		2508672	1
		-	-	300		2508220	10



1



2



3

LIST OF ALL ITEMS

P/N	PAGE	P/N	PAGE	P/N	PAGE	P/N	PAGE	P/N	PAGE
0100300	76	0101371	49, 50, 51, 52	0200171	17	0300400	64	0300650	53
0100302	209	0101400	61	0200172	17	0300401	64	0300660	53
0100304	76	0101450	39	0200180	17	0300402	64	0300670	53
0100306	76	0101460	45	0200181	17	0300403	64	0300680	53
0100330	66	0101470	47	0200182	17	0300404	64	0300681	54
0100334	74	0101484	45	0200296	19	0300405	64	0300683	54
0100335	75	0101491	50	0200297	19	0300406	64	0300684	54
0100336	75	0101494	46	0200298	19	0300407	64	0300690	80
0100337	75	0101497	30	0200299	19	0300415	64	0300691	80
0100341	74	0101498	30	0200300	19	0300416	61	0300697	82
0100345	63	0101499	30	0200301	19	0300420	67	0300698	82
0100350	65	0101504	46	0300140	17	0300430	81	0300699	42
0100351	65	0101510	47	0300142	17	0300440	81	0300700	53
0100352	80	0101520	39	0300149	17	0300442	26	0300793	45
0100358	81	0101530	39	0300150	17	0300452	33	0300800	37
0100359	65, 67	0101540	39	0300151	17	0300454	33	0300839	27
0100360	72	0101550	42	0300152	17	0300455	33	0300849	37
0100370	72	0101564	45	0300170	17	0300456	33	0300850	37
0100380	73	0101568	51	0300171	17	0300457	33	0300851	79
0100390	71	0101569	52	0300172	17	0300458	33	0300856	79
0100391	71	0101580	42	0300180	17	0300459	33	0300900	36
0100392	81	0101590	42	0300181	17	0300460	33	0300949	79
0100400	64	0101600	47	0300182	17	0300463	33	0300950	36
0100415	64	0101640	45	0300300	76	0300464	33	0301000	70
0100416	61	0101660	46	0300306	76	0300465	33	0301030	70, 71
0100420	67	0101680	40	0300330	66	0300468	26	0301040	70, 71
0100430	81	0101681	41	0300331	66	0300489	96	0301045	32
0100440	81	0101690	47	0300336	75	0300500	36	0301048	31
0100500	36	0101695	46	0300341	74	0300540	57	0301050	70, 71
0100540	57	0101697	48	0300342	74	0300541	57	0301053	32
0100560	57	0101698	48	0300345	63	0300542	57	0301060	70, 71
0100580	57	0101703	25	0300351	65	0300552	34	0301070	70, 71
0100590	58	0101881	68	0300352	80	0300558	33	0301080	70, 71
0100600	58	0101882	68	0300354	65	0300560	57	0301200	70
0100610	58	0101883	69	0300357	65, 66	0300561	57	0301210	70
0100655	53	0101884	69	0300358	81	0300562	57	0301301	62
0100665	53	0103000	55	0300359	65, 67	0300564	48	0301305	62
0100699	42	0200127	20	0300360	72	0300577	33	0301307	62
0100703	24	0200138	20	0300370	72	0300580	57	0301310	62
0100705	53	0200140	17	0300380	73	0300581	57	0301315	62
0100710	28	0200142	17	0300390	71	0300582	57, 58	0301320	62
0100800	37	0200149	17	0300391	71	0300590	58	0301325	62
0100900	36	0200150	17	0300392	81	0300600	58	0301330	62
0101005	70	0200151	17	0300395	80	0300602	58	0301370	49
0101320	62	0200152	17	0300397	98	0300610	58	0301371	49, 50, 51, 52
0101370	49	0200170	17	0300398	80	0300612	58	0301372	49

P/N	PAGE
0301400	61
0301410	61
0301420	56
0301430	56
0301431	56
0301435	56
0301450	39
0301460	45
0301470	47
0301484	45
0301486	45
0301491	50
0301494	46
0301496	46
0301497	30
0301498	30
0301499	30
0301504	46
0301506	46
0301510	47
0301520	39
0301530	39
0301540	39
0301550	42
0301564	45
0301566	45
0301568	51
0301569	52
0301580	42
0301590	42
0301600	47
0301601	47
0301602	47
0301620	43
0301630	44
0301640	45
0301660	46
0301661	46
0301680	40
0301681	41
0301690	47
0301691	47
0301695	46
0301696	46
0301697	48
0301698	48

P/N	PAGE
0301699	48
0301865	35
0301873	35
0301881	68
0301882	68
0301883	69
0301884	69
0302000	59
0302001	59
0302305	62
0302310	62
0302315	62
0302320	62
0302325	62
0302330	62
0303003	55
0303005	55
0303006	55
0303007	55
0303008	55
0303009	55
0303010	55
0303015	55
0303020	55
0303025	55
0303030	55
0321000	70
0321200	70
0321210	70
0350002	76
0404015	12
0404016	12
0404020	12
0404021	12
0404025	12
0404026	12
0404030	12
0404031	12
0404040	12
0404041	12
0424020	12
0424021	12
0424025	12
0424026	12
0424030	12
0424031	12

P/N	PAGE
0424040	12
0424041	12
0424050	12
0424051	12
0424060	12
0424061	12
0430300	18
0430400	18
0430500	18
0430600	18
0430700	18
0430800	18
0430900	18
0431000	18
0431100	18
0431300	18
0431400	18
0433200	18
0433300	18
0433400	18
0433450	18
0433500	18
0433600	18
0433700	18
0433800	18
0433850	18
0433900	18
0435800	20
0470020	14
0470021	14
0470030	14
0470031	14
0470040	14
0470041	14
0470050	14
0470051	14
0470060	14
0470061	14
0470080	14
0470081	14
0470100	14
0470101	14
0471030	14
0471031	14
0471040	14
0471041	14

P/N	PAGE
0471050	14
0471051	14
0471060	14
0471061	14
0471080	14
0471081	14
0471100	14
0471101	14
0472030	15
0472031	15
0472040	15
0472041	15
0472050	15
0472051	15
0472060	15
0472061	15
0472080	15
0472081	15
0472100	15
0472101	15
0474020	13
0474021	13
0474030	13
0474031	13
0474040	13
0474041	13
0474050	13
0474051	13
0474060	13
0474061	13
0474070	13
0474071	13
0474080	13
0474081	13
0475020	15
0475021	15
0475030	15
0475031	15
0475040	15
0475041	15
0475050	15
0475051	15
0475060	15
0475061	15
0475070	15
0475071	15

P/N	PAGE
0475080	15
0475081	15
0475100	15
0475101	15
0476025	13
0476026	13
0476030	13
0476031	13
0477045	13
0477046	13
0477065	13
0477066	13
0477075	13
0477076	13
0530400	18
0530500	18
0530600	18
0530800	18
0531100	18
0533200	18
0533400	18
0533500	18
0533600	18
0533700	18
0533800	18
0533850	18
0533900	18
0600010	22
0600090	4
0600100	4
0600101	4
0600110	4
0600120	4
0600130	4
0600140	4
0600150	4
0600160	4
0600170	4
0600210	16
0600220	16
0600230	16
0600240	16
0600250	16
0600260	16
0600270	16
0600280	16

P/N	PAGE	P/N	PAGE	P/N	PAGE	P/N	PAGE	P/N	PAGE
0600290	16	0601700	11	0700160	4	0701700	11	0715200	10
0600302	16	0602030	9	0700170	4	0702030	9	0715225	10
0600375	5	0602040	9	0700210	16	0702040	9	0715250	10
0600380	5	0602050	9	0700220	16	0702050	9	1000618	181
0600390	5	0602060	9	0700230	16	0702060	9	1000748	181
0600400	5	0602070	9	0700240	16	0702070	9	1000900	180
0600401	5	0602080	9	0700250	16	0702080	9	1000910	180
0600407	21	0602100	9	0700260	16	0702100	9	1000930	180
0600408	21	0602125	9	0700270	16	0702125	9	1101400	153
0600410	5	0602925	6	0700280	16	0702925	6	1101412	155
0600418	21	0602930	6	0700290	16	0702930	6	1101650	153
0600420	5	0602935	6	0700300	5	0702935	6	1101660	155
0600430	5	0602940	6	0700301	5	0702940	6	1101662	155
0600440	5	0602950	6	0700302	16	0702950	6	1101680	154
0600450	5	0602960	6	0700310	5	0702960	6	1101700	153
0600460	5	0603000	208	0700320	5	0705090	4	1101710	153
0600470	5	0603010	208	0700330	5	0705100	4	1101720	154
0600492	5	0603020	208	0700340	5	0705101	4	1101940	160
0600493	5	0603030	208	0700350	5	0705110	4	1101950	160
0600494	5	0603040	208	0700360	5	0705120	4	1102000	158
0600495	5	0603050	208	0700370	5	0705130	4	1102010	158
0600496	5	0610030	7	0700375	5	0705140	4	1102050	159
0600497	5	0610035	7	0700380	5	0705150	4	1104500	157
0600498	5	0610040	7	0700390	5	0705160	4	1104510	157
0600900	8	0610050	7	0700900	8	0705170	4	1105500	156
0600910	8	0610060	7	0700910	8	0710030	7	1105510	156
0600920	8	0610070	7	0700920	8	0710035	7	1105550	156
0600930	8	0610080	7	0700930	8	0710040	7	1105560	156
0600940	8	0615080	10	0700940	8	0710050	7	1105615	158
0600950	8	0615100	10	0700950	8	0710060	7	1105620	158
0600960	8	0615125	10	0700960	8	0710070	7	1105630	158
0600970	8	0615150	10	0700970	8	0710080	7	1105660	159
0601100	11	0615175	10	0701100	11	0710300	5	1105670	159
0601125	11	0615200	10	0701125	11	0710310	5	1106700	127
0601150	11	0615225	10	0701150	11	0710320	5	1106710	127
0601175	11	0615250	10	0701175	11	0710330	5	1106720	127
0601200	11	0650015	22	0701200	11	0710340	5	1106730	127
0601225	11	0650016	22	0701225	11	0710350	5	1106750	127
0601250	11	0700090	4	0701250	11	0710360	5	1106760	127
0601300	11	0700100	4	0701300	11	0710370	5	1107000	154
0601350	11	0700101	4	0701350	11	0710375	5	1107010	154
0601400	11	0700110	4	0701400	11	0715080	10	1107020	154
0601401	11	0700120	4	0701401	11	0715100	10	1107209	159
0601450	11	0700130	4	0701450	11	0715125	10	1107210	158
0601500	11	0700140	4	0701500	11	0715150	10	1107211	158
0601600	11	0700150	4	0701600	11	0715175	10	1107212	159

P/N	PAGE
1107400	150
1107410	150
1107420	150
1107501	149
1107650	151
1107660	151
1107670	151
1107671	151
1107675	151
1107685	151
1107690	151
1107700	151
1107710	151
1107720	151
1107740	152
1107741	152
1107760	150
1107770	150
1107900	149
1107901	149
1107920	149
1107930	149
1107940	149
1107960	162
1107970	162
1107980	162
1107990	148
1107991	148
1107992	148
1107993	148
1108000	162
1108010	159
1108020	159
1108030	158
1108050	158
1108060	158
1108070	159
1108080	159
1108110	129
1108120	129
1108260	157
1108270	157
1108280	158
1108290	157
1108300	157
1108330	146

P/N	PAGE
1108331	146
1108332	146
1108337	146
1108338	146
1108339	146
1108380	145
1108381	145
1108382	145
1108383	145
1108400	147
1108401	147
1108402	147
1108500	148
1108501	148
1108502	148
1108503	148
1108510	148
1108511	148
1108512	148
1108513	148
1200580	181
1200590	181
1200880	163
1201000	161
1201070	161
1201110	161
1201150	162
1201160	162
1201200	161
1201210	161
1201220	161
1201230	161
1301390	153
1301391	153
1301400	153
1301402	153
1301411	155
1301412	155
1301417	155
1301418	155
1301420	154
1301501	154
1301650	153
1301660	155
1301665	155
1400850	163

P/N	PAGE
1400860	163
1400862	163
1400865	163
1400880	163
1401400	153
1401910	160
1506060	120
1506070	120
1506080	120
1506090	120
1506100	120
1506110	120
1506120	120
1506130	120
1506200	121
1506210	121
1506250	121
1506260	121
1506270	120
1506280	120
1506650	118
1506655	118
1506656	118
1506658	118
1506660	118
1506665	118
1506666	118
1506668	118
1506675	118
1506678	118
1506720	118
1506721	118
1506730	118
1506731	118
1506740	119
1506741	119
1506760	119
1506761	119
1506765	119
1506820	121
1507601	117
1507700	115
1507701	115
1507703	115
1507704	115
1507705	115

P/N	PAGE
1507707	115
1507708	115
1507710	115
1507720	115
1507736	115
1507760	115
1507771	115
1507772	115
1507785	115
1507790	115
1507795	115
1507800	116
1507810	116
1507820	116
1507821	116
1507830	116
1507875	116
1507885	116
1507904	117
1507905	117
1507915	117
1507916	117
1507925	117
1507926	117
1507946	117
1507955	117
1507956	117
1507957	117
1507975	117
1508001	115
1602550	125
1602970	125
1602980	125
1602981	125
1602990	125
1603000	125
1604300	128
1605000	144
1605010	144
1605020	144
1605021	144
1605030	144
1605040	144
1605100	144
1605110	144
1605600	132

P/N	PAGE
1605610	132
1605620	132
1605630	132
1605650	132
1605700	132
1605710	132
1605720	132
1605730	132
1605800	132
1605810	132
1605815	131
1605820	132
1605830	132
1605900	132
1605910	132
1605930	132
1606500	136
1606770	136
1606775	136
1606780	136
1606785	136
1606791	136
1606795	136
1606796	136
1606855	174
1606890	136
1606981	134
1606982	134
1606990	134
1606991	134
1606992	134
1606994	134
1606995	140
1607400	140
1607500	137
1607510	138
1608170	128
1608180	129
1608190	129
1608196	129
1608199	129
1608210	128
1608321	128
1608323	128
1608345	134
1608346	134



P/N	PAGE
1608380	137
1608381	137
1608382	137
1608384	137
1608400	139
1608415	140
1608420	139
1608450	139
1608460	139
1608470	139
1608500	137
1608510	137
1608520	141
1608540	143
1608600	141
1608700	141
1608800	129
1608911	142
1609000	125
1609100	141
1609200	128
1609310	143
1609320	129
1609330	129
1609340	129
1609400	142
1609500	142
1609600	142
1609910	141
1609911	141
1609920	141
1609960	143
1617500	137
1701400	153
1701412	155
1701530	154
1701650	153
1701651	153
1701655	153
1701660	155
1701940	160
1704004	137
1704010	137
1704500	157
1704510	157
1705550	156

P/N	PAGE
1705560	156
1705606	130
1705616	130
1705626	130
1705656	130
1705705	130
1705715	130
1705725	130
1705726	131
1705735	130
1705745	130
1705816	131
1705825	131
1705826	131
1705835	131
1705846	131
1705855	131
1705856	131
1705925	131
1706600	136
1706700	127
1706701	127
1706710	127
1706711	127
1706720	127
1706721	127
1706730	127
1706731	127
1706740	127
1706741	127
1706750	127
1706760	127
1706880	136
1706890	136
1706900	133
1706910	133
1706920	133
1706930	133
1706940	133
1706950	134
1706960	134
1706970	134
1706975	135
1706977	135
1706980	134
1706990	134

P/N	PAGE
1707400	150
1707410	150
1707420	150
1707620	151
1707621	151
1707622	151
1707650	151
1707660	151
1707670	151
1707671	151
1707672	151
1707675	151
1707685	151
1707690	151
1707700	151
1707710	151
1707720	151
1707740	152
1707741	152
1707742	152
1707760	150
1707770	150
1707780	150
1707900	149
1707901	149
1707902	149
1707911	149
1707912	149
1707920	149
1707930	149
1707932	149
1707940	149
1707942	149
1707990	148
1707991	148
1707992	148
1707993	148
1707994	148
1707995	148
1708110	129
1708120	129
1708150	126
1708160	126
1708170	128
1708175	128
1708185	135

P/N	PAGE
1708200	134
1708210	128
1708215	128
1708220	134
1708230	128
1708240	130
1708245	130
1708246	130
1708250	131
1708270	135
1708280	130
1708310	128
1708315	128
1708320	128
1708325	128
1708330	146
1708331	146
1708332	146
1708334	146
1708335	146
1708336	146
1708337	146
1708338	146
1708339	146
1708345	134
1708360	140
1708370	140
1708380	145
1708381	145
1708382	145
1708383	145
1708391	145
1708392	145
1708400	147
1708401	147
1708402	147
1708500	148
1708501	148
1708502	148
1708503	148
1708504	148
1708505	148
1708510	148
1708511	148
1708512	148
1708513	148

P/N	PAGE
1793752	138
1793753	138
1793754	126
1796416	138
1850200	167
1850209	167
1850300	167
1850309	167
1850400	167
1850409	167
1850450	168
1850459	168
1850500	167
1850509	167
1851000	167
1851009	167
1851400	167
1851409	167
1851500	167
1851509	167
1852000	168
1852009	168
1852400	169
1852409	169
1852500	168
1852509	168
1853050	165
1853059	165
1853060	165
1853069	165
1853070	165
1853079	165
1853150	165
1853159	165
1853200	165
1853209	165
1853250	165
1854200	167
1854400	167
1854409	167
1854500	167
1854550	168
1854559	168
1855000	167
1855009	167
1855400	167

P/N	PAGE
1855500	167
1855509	167
1856000	168
1856009	168
1856400	169
1856409	169
1857100	165
1857109	165
1857150	165
1857159	165
1857200	165
1857209	165
1857250	165
1857259	165
1860000	174
1860500	167
1860509	167
1861000	167
1861009	167
1862000	168
1862009	168
1862500	168
1862509	168
1863000	167
1863009	167
1863100	165
1863109	165
1863150	165
1863159	165
1863200	165
1863209	165
1863250	165
1863259	165
1863300	165
1863309	165
1864000	170
1864009	170
1864100	170
1864109	170
1864300	170
1864309	170
1864400	170
1864409	170
1864500	170
1864509	170
1864600	170

P/N	PAGE
1864609	170
1864700	170
1864800	170
1865069	166
1865100	166
1865109	166
1865200	166
1865209	166
1866100	166
1866109	166
1866300	166
1866309	166
1867000	166
1867009	166
1867100	166
1867109	166
1867200	166
1867209	166
1868000	171
1868009	171
1868100	171
1868109	171
1868200	171
1868209	171
1869000	171
1869009	171
1869100	171
1869109	171
1869200	171
1880060	173
1880070	173
1880080	173
1880090	173
1880100	173
1880120	173
1880130	173
1880140	173
1880150	173
1880230	173
1880240	173
1880250	173
1880280	172
1880290	172
1880300	172
1880310	172
1900590	181

P/N	PAGE
1900900	180
1900910	180
1900920	180
1900930	180
1900940	180
1901390	153
1901391	153
1901400	153
1901402	153
1901650	153
1901660	155
1902970	125
1902980	125
1902981	125
1906970	134
1911400	153
1911650	153
1951194	155
2508220	212
2508650	212
2508652	212
2508660	212
2508661	212
2508662	212
2508663	212
2508670	212
2508671	212
2508672	212
2508681	212
2508682	212
2508683	212
2550087	196
2608241	210
3001001	71
3004000	21
3050123	101
3050124	101
3050125	101
3050126	101
3050127	101
3050128	101
3050129	101
3050130	101
3050131	102
3050132	102
3050133	102

P/N	PAGE
3050134	102
3050135	77
3050136	77
3050152	61
3050153	62
4008500	211
4208800	206
4209500	205
4209520	206
4209530	206
4209570	206
4209580	206
4209590	206
4209652	205
4209655	205
4209665	205
4407510	157
4407530	156
4407740	156
4407750	156
4410060	111
4410062	112
4410065	111
4410068	111
4410070	111
4410072	111
4410073	111
4410074	111
4410076	111
4410077	112
4410078	112
4410079	112
4410080	111
4410082	111
4410083	111
4410084	111
4410086	111
4410090	169
4410091	169
4410092	169
4410096	169
4410097	169
4410150	106
4410160	106
4410170	106
4410180	106

P/N	PAGE
4410190	106
4410200	106
4410210	107
4410220	107
4410230	107
4410240	107
4410245	77
4410246	77
4410247	77
4410250	107
4410260	107
4410270	108
4410280	108
4410290	108
4410295	108
4410296	108
4410300	183
4410310	183
4410320	183
4410360	183
4410400	183
4410480	123
4410495	122
4410496	122
4410510	211
4410605	98
4410610	98
4410655	105
4410656	105
4410657	105
4410660	104
4410661	104
4410801	93
4410810	94
4410811	94
4410820	94
4410821	94
4410830	93
4410840	92
4410870	95
4410880	92
4410881	92
4410890	92
4410891	92
4410921	94
4410970	95

P/N	PAGE	P/N	PAGE	P/N	PAGE	P/N	PAGE	P/N	PAGE
4420800	112	4440300	86	4510400	183	4540312	87	4551613	98
4420900	104	4440310	87	4510480	123	4540315	87	4551614	98
4420901	104, 182	4440340	87	4510496	122	4540325	87	4551615	98
4420902	104, 182	4440400	86	4510497	122	4540335	87	4551747	146
4420910	104	4440600	97	4510499	122	4540345	87	4551748	146
4420911	104, 182	4440700	89	4510502	123	4540405	86	4551749	146
4420920	105	4440800	89	4510503	123	4540410	87	4551897	91
4420921	105, 182	4441100	97	4510658	157	4540420	87	4551898	91
4420931	105, 182	4441200	97	4510662	157	4540430	87	4551899	91
4423510	103	4510070	111	4510801	93	4540500	88	4551900	91
4423520	103	4510073	111	4510802	93	4540501	88	4551901	148
4423530	103	4510074	111	4510810	94	4540601	97	4551902	148
4423540	103	4510076	111	4510811	94	4540602	97	4612110	203
4423550	103	4510077	112	4510812	94	4540705	89	4612120	203
4423560	103	4510080	111	4510820	94	4540715	89	4612130	203
4423610	101	4510086	111	4510821	94	4540735	89	4612140	203
4423620	101	4510090	169	4510830	93	4540805	89	4612150	203
4423630	101	4510091	169	4510840	92	4540815	89	4612160	203
4423640	101	4510092	169	4510870	95	4540816	91	4612170	203
4423650	101	4510096	169	4510875	95	4540817	91	4612180	203
4423660	101	4510110	100	4510880	92	4541100	97	4621051	203
4423670	101	4510115	100	4510881	92	4541200	97	4621052	203
4423680	101	4510120	99	4510890	92	4541201	97	4621110	202
4423690	102	4510125	99	4510891	92	4541202	97	4621120	202
4423700	102	4510130	100	4510921	94	4541203	29	4621130	202
4423710	102	4510135	99	4510970	95	4541204	29	4621140	202
4423720	102	4510145	100	4510975	95	4545100	84, 86, 87, 89	4621150	202
4426030	109	4510150	106	4520900	104	4545200	84	4621170	202
4426040	109	4510160	106	4520901	104, 182	4545300	86, 87, 88, 89	4621180	202
4426050	109	4510170	106	4520902	104, 182	4545400	86	4621190	202
4426060	109	4510180	106	4520910	104	4545800	89	4621200	202
4426110	109	4510190	106	4520911	104, 182	4550747	146	4621210	202
4426120	109	4510200	106	4520921	105, 182	4550748	146	4621240	202
4426130	110	4510210	107	4520931	105, 182	4550749	146	4621260	202
4426140	110	4510220	107	4540105	84	4550750	146	4621270	202
4426150	110	4510230	107	4540110	90	4550780	150	4621280	202
4426160	110	4510240	107	4540111	90	4550781	150	4621400	202
4426170	110	4510245	77	4540112	90	4550782	150	4621410	202
4426180	110	4510247	77	4540113	90	4550784	150	4621420	202
4430100	113	4510250	107	4540150	85	4551575	182	4621430	202
4430110	113	4510260	107	4540205	84	4551605	98	4621440	202
4430120	113	4510270	108	4540210	90	4551606	98	4621450	202
4430130	113	4510280	108	4540211	90	4551607	98	4621460	202
4433800	103	4510290	108	4540212	90	4551610	98	4621470	202
4440100	84	4510295	108	4540302	86	4551611	98	4621480	202
4440200	84	4510296	108	4540305	86	4551612	98	4621490	202

P/N	PAGE	P/N	PAGE	P/N	PAGE	P/N	PAGE	P/N	PAGE
4621500	202	4814361	200						
4621510	202	4814373	200						
4621520	202	4814375	200						
4621530	202	4914221	197						
4621540	202	4914222	197						
4621550	202	4914256	197						
4621560	202	4914257	197						
4621570	202	4914258	197						
4621580	202	4914259	197						
4621590	202	4914262	197						
4640100	209	4914264	197						
4640110	209	4914265	199						
4640200	209	4914266	199						
4640300	209	4914267	198						
4814220	197	4914268	198						
4814221	197	4914312	198						
4814222	197	4914313	198						
4814250	198	4914322	198						
4814251	197	4914323	198						
4814252	197	4914326	199						
4814254	199	4914327	199						
4814255	197	5014830	187						
4814256	197	5014861	185						
4814257	197	5014862	185						
4814258	197	5014868	187						
4814259	197	5014873	185						
4814261	200	5014877	185						
4814262	197	5014900	185						
4814264	197	5014901	185						
4814267	198	5050090	185						
4814268	198	5050097	185						
4814271	200	5050103	185						
4814272	200	5050106	189						
4814281	200	5050108	185						
4814282	200	5050121	185						
4814290	200	5050123	185						
4814291	200	5050124	185						
4814295	200	5050126	186						
4814311	198	5050127	186						
4814321	198	5050128	188						
4814330	199	5050133	189						
4814331	199	5050135	188						
4814332	199	5050136	186						
4814341	200	5050140	186						
4814350	200	5050143	186						
4814351	200	5050147	186						





MTA SITES:

Italy
Brazil
Poland
Slovakia
USA
India
China
Mexico

www.mta.it
infoitaly@mta.it

Ref. 9951220

